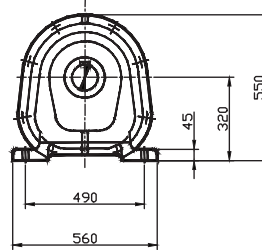
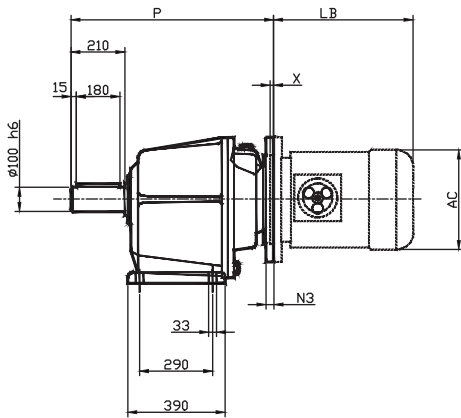
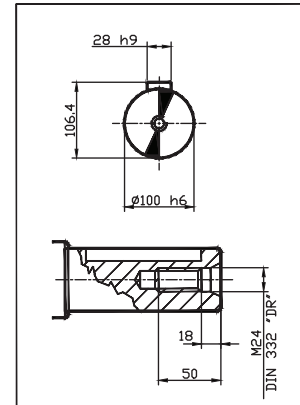


AS 100...P(IEC)

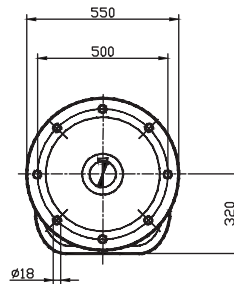
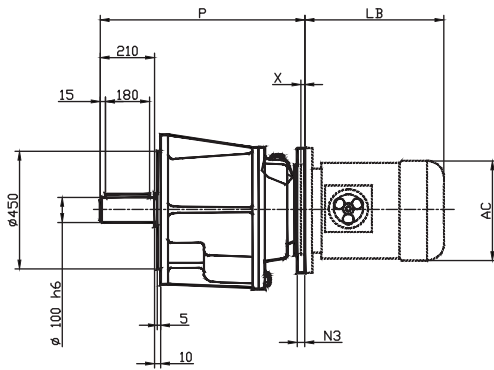
P
DP



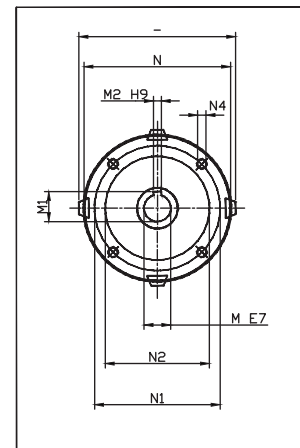
OUTPUT



F
DF



INPUT



	AS 100														BN...		BN...FD BN...FA	
	M	M1	M2	N	N1	N2	N3	N4	X	P					LB	AC	LB	AC
										...P	...F	...R						
AS 100_180	48	51.8	14	350	300	250	-	18	6	820	820	-	360	BN 180M	-	-	-	-
														BN 180L	-	-	-	-
AS 100_200	55	59.3	16	400	350	300	-	18	6	820	820	-	360	BN 200L	-	-	-	-
AS 100_225	60	64.4	18	450	400	350	-	18	6	820	820	-	360	-	-	-	-	-
AS 100_250	65	69.4	18	550	500	450	-	18	6	820	820	-	360	-	-	-	-	-
AS 100 D_160	42	45.3	12	350	300	250	-	18	6	820	820	-	348	BN 160MR	-	-	-	-
AS 100 D_180	48	51.8	14	350	300	250	-	18	6	820	820	-	348	BN 160M/L	-	-	-	-
AS 100 D_200	55	59.3	16	400	350	300	-	18	6	820	820	-	348	BN 180M	-	-	-	-
														BN 180L	-	-	-	-
AS 100 D_225	60	64.4	18	450	400	350	-	18	6	845	845	-	348	BN 200L	-	-	-	-