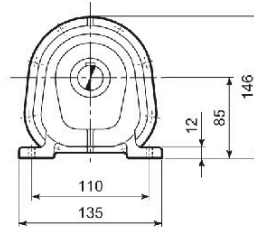
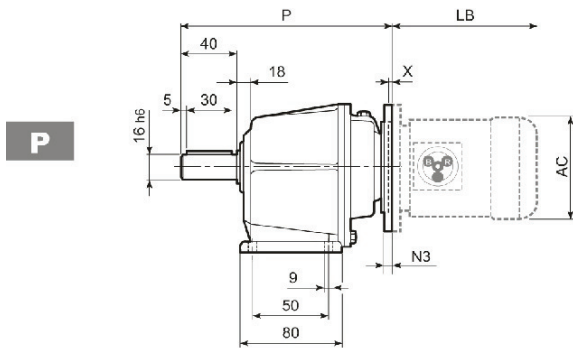


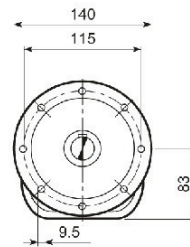
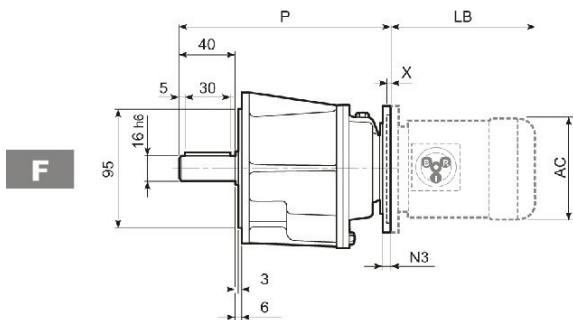
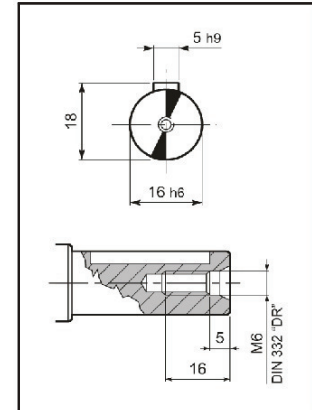


# AS 16...P(IEC)

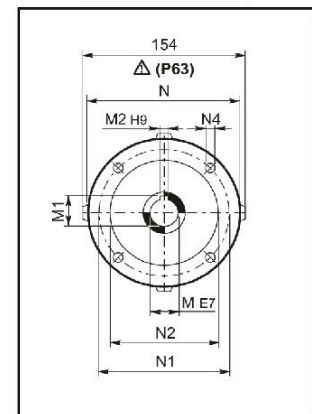
## DIMENSIONS



### OUTPUT



### INPUT



	AS 16													BN...		BN...FD BN...FA		
	M	M1	M2	N	N1	N2	N3	N4	X	P			Kg	LB	AC	LB	AC	
										...P	...F	...R						
AS 16_063	11	12.8	4	140	115	95	-	M8x19	5	170	-	-	3.4	BN 63	184	121	249	121
AS 16_071	14	16.3	5	160	130	110	-	M8x16	5	170	-	-	3.4	BN 71	219	138	280	138