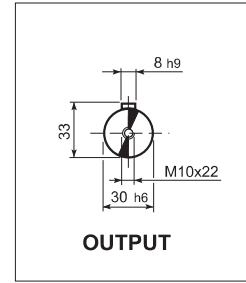
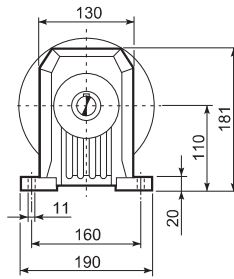
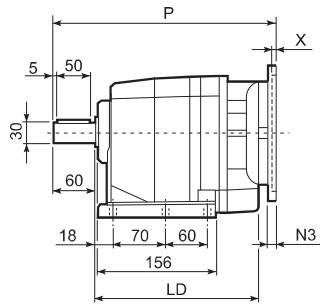
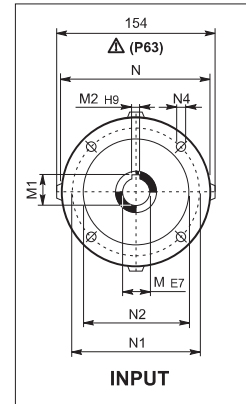
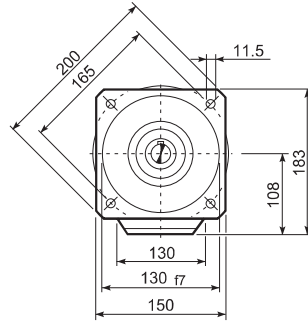
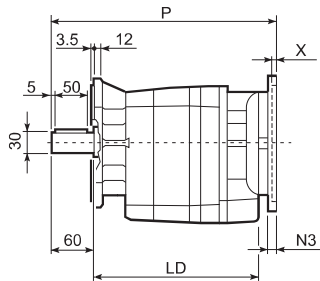


C 32...P(IEC)

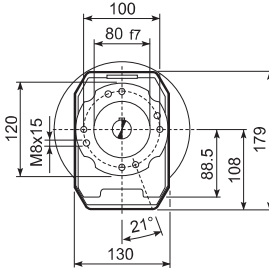
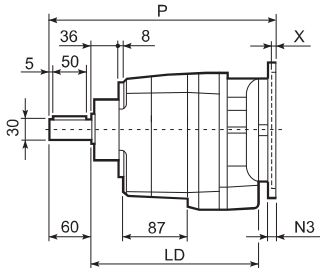
P



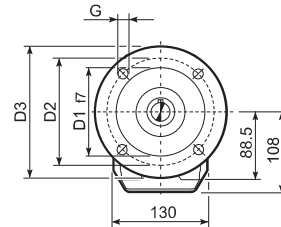
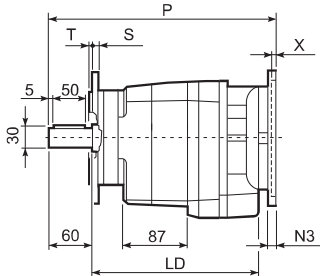
F



U



UF



C 32_U

| | D1 | D2 | D3 | G | T | S |
|-----------|-----|-----|-----|----|-----|----|
| FA | 110 | 130 | 160 | 9 | 3 | 10 |
| FB | 130 | 165 | 200 | 11 | 3.5 | 11 |
| FC | 180 | 215 | 250 | 14 | 4 | 13 |

| | | LD | M | M1 | M2 | N | N1 | N2 | N3 | N4 | X | P | |
|---------------|-------------|-------|----|------|----|-----|-----|-----|----|--------|-----|-------|----|
| C 32 2 | P63 | 217.5 | 11 | 12.8 | 4 | 140 | 115 | 95 | — | M8x19 | 4 | 307.5 | 9 |
| C 32 2 | P71 | 217.5 | 14 | 16.3 | 5 | 160 | 130 | 110 | — | M8x16 | 4.5 | 307.5 | 9 |
| C 32 2 | P80 | 227.5 | 19 | 21.8 | 6 | 200 | 165 | 130 | — | M10x12 | 4 | 327 | 10 |
| C 32 2 | P90 | 227.5 | 24 | 27.3 | 8 | 200 | 165 | 130 | — | M10x12 | 4 | 327 | 10 |
| C 32 2 | P100 | 227.5 | 28 | 31.3 | 8 | 250 | 215 | 180 | — | M12x16 | 4.5 | 337 | 14 |
| C 32 2 | P112 | 227.5 | 28 | 31.3 | 8 | 250 | 215 | 180 | — | M12x16 | 4.5 | 337 | 14 |
| C 32 2 | P132 | — | 38 | 41.3 | 10 | 300 | 265 | 230 | 16 | 14 | 5 | 373 | 17 |
| C 32 3 | P63 | — | 11 | 12.8 | 4 | 140 | 115 | 95 | — | M8x19 | 4 | 365 | 10 |
| C 32 3 | P71 | — | 14 | 16.3 | 5 | 160 | 130 | 110 | — | M8x16 | 4.5 | 365 | 10 |
| C 32 3 | P80 | — | 19 | 21.8 | 6 | 200 | 165 | 130 | — | M10x12 | 4 | 384.5 | 11 |
| C 32 3 | P90 | — | 24 | 27.3 | 8 | 200 | 165 | 130 | — | M10x12 | 4 | 384.5 | 11 |
| C 32 3 | P100 | — | 28 | 31.3 | 8 | 250 | 215 | 180 | — | M12x16 | 4.5 | 394.5 | 15 |
| C 32 3 | P112 | — | 28 | 31.3 | 8 | 250 | 215 | 180 | — | M12x16 | 4.5 | 394.5 | 15 |