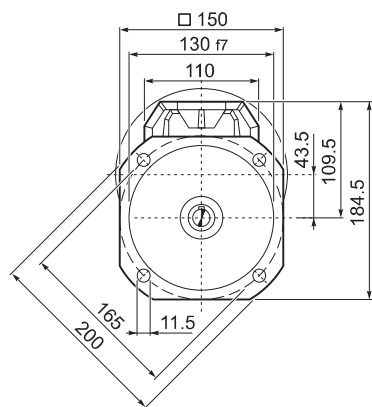
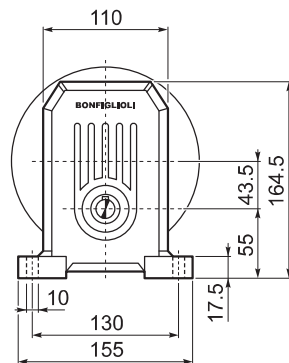
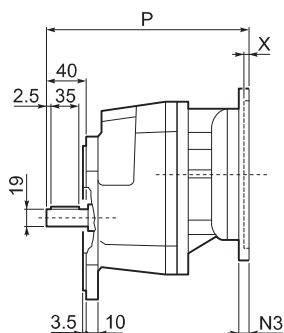
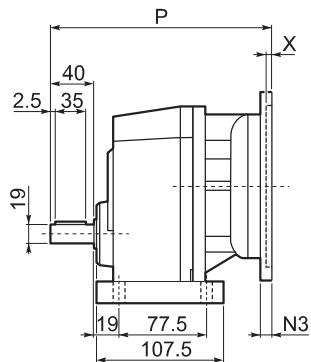
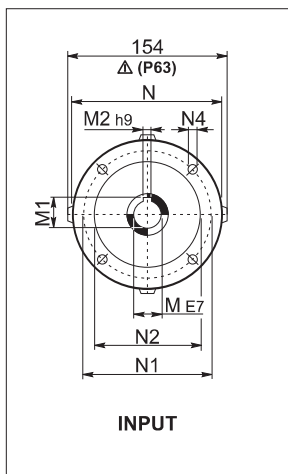
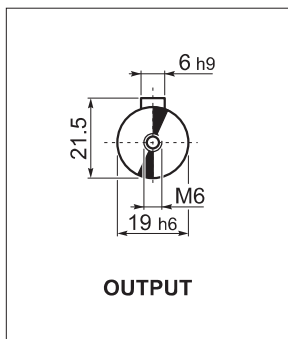


## S 20...P(IEC)



		M	M1	M2	N	N1	N2	N3	N4	P	X	
S 20 1	P63	11	12.8	4	140	115	95	—	M8x10	207	4	6
S 20 1	P71	14	16.3	5	160	130	110	—	M8x10	207	4.5	6
S 20 1	P80	19	21.8	6	200	165	130	—	M10x12	227	4	7
S 20 1	P90	24	27.3	8	200	165	130	—	M10x12	227	4	7
S 20 1	P100	28	31.3	8	250	215	180	—	M12x16	237	4.5	11
S 20 1	P112	28	31.3	8	250	215	180	—	M12x16	237	4.5	11

## S 20...HS

