

IMRE1SSxx/2 4/OM



Relay Module 1CO 24VDC (SPDT)

- Relay Module For Industrial Suitability.
- Switching Current upto 10A at 230VAC (or 30VDC)
- Low Coil Drive Current (4.7 mA to 100 mA)
- Easy to replace Pluggable Relays.
- Possibility of Bussing (Jumpering) relays in common negative or common positive configurations.
- LED indication to denote relay actuation.
- Relay Coil Protection by means of a Freewheeling diode.
- Mounting Options available: DIN Rail mounting & Panel mounting

TECHNICAL DATA

| | |
|-------------------------------|----------------------------------|
| Bussing Possibility | By using spare jumpers. |
| Relay on Indication | 3mm Red LED |
| Relay Protection Method | Using 1N4007 Free Wheeling Diode |
| Ambient Operating Temperature | -20 to 50 °C |
| Mounting Possibility | DIN32 / DIN35 / DIN35-15 / PANEL |
| Housing Material | PVC / V0 Grade |
| Housing Colour | Green |

RELAY INPUT / COIL SPECIFICATIONS

| | |
|---------------------------|----------|
| Nominal Operating Voltage | 24 VDC |
| Nominal Input Current | 21.8 mA |
| Maximum Operating Voltage | 26.4 VDC |
| Must Operate Voltage | 16.8 VDC |
| Must Release Voltage | 3.6 VDC |
| Coil Resistance | 1100 Ω |

RELAY OUTPUT/CONTACT SPECIFICATIONS

| | |
|--|------------------|
| Contact Type | SPDT - 1CO |
| Contact Material | AgCdO |
| Rated Contact Current (Resistive Load) | 10 A |
| Load Voltage Range | 380 VAC, 125 VDC |
| Maximum Operating Frequency | 1800 Opr./Hr |

CONNECTION SPECIFICATIONS

| | |
|-----------------------|---------------------|
| Type of Connection | Screw Connection |
| Min. Wire Size | 0.5 mm ² |
| Max. Wire Size | 2.5 mm ² |
| Min. Wire Size(AWG) | 30 AWG |
| Max. Wire Size(AWG) | 14 AWG |
| Wire Stripping Length | 8.3 mm |
| Torque | 0.5 Nm |
| Torque | 4.5 lb-in |

ORDERING INFORMATION

| CAT. NO. | DESCRIPTION | NO. OF CHN. | DIM. DET. | STD. PACK |
|-----------------|--|-------------|---------------|-----------|
| IMRE1SS1/2 4/OM | 1CO 1CH 24VDC Relay Module With Base (Pluggable Relay) Rail Mount | 1 | 23 X 88 X 74 | 1 |
| IMRE1SS2/2 4/OM | 1CO 2CH 24VDC Relay Module With Base (Pluggable Relay) Rail Mount | 2 | 45 X 88 X 74 | 1 |
| IMRE1SS4/2 4/OM | 1CO 4CH 24VDC Relay Module With Base (Pluggable Relay) Rail Mount | 4 | 79 X 88 X 74 | 1 |
| IMRE1SS8/2 4/OM | 1CO 8CH 24VDC Relay Module With Base (Pluggable Relay) Rail Mount | 8 | 148 X 88 X 74 | 1 |
| IMRE1SS16/24/OM | 1CO 16CH 24VDC Relay Module With Base (Pluggable Relay) Rail Mount | 16 | 289 X 88 X 74 | 1 |
| IMRE1S1/24 /OM | 1CO 1CH 24VDC Relay Module With Soldered Relay Rail Mount | 1 | 23 X 88 X 74 | 1 |
| IMRE1S2/24 /OM | 1CO 2CH 24VDC Relay Module With Soldered Relay Rail Mount | 2 | 45 X 88 X 74 | 1 |
| IMRE1S4/24 /OM | 1CO 4CH 24VDC Relay Module With Soldered Relay Rail Mount | 4 | 79 X 88 X 74 | 1 |
| IMRE1S8/24 /OM | 1CO 8CH 24VDC Relay Module With Soldered Relay Rail Mount | 8 | 148 X 88 X 74 | 1 |
| IMRE1S16/2 4/OM | 1CO 16CH 24VDC Relay Module With Soldered Relay Rail Mount | 16 | 289 X 88 X 74 | 1 |

ACCESSORIES

| IMAGES | CAT. NO. | DESCRIPTION | STD. PACK |
|--------|------------|-------------------------------|-----------|
| | CA501-1M | Din 32 Rail unslotted 1 meter | 50 |
| | CA501-1M-S | Din 32 Rail slotted 1 meter | 50 |
| | CA501-2M | Din 32 Rail unslotted 2 meter | 50 |
| | CA501-2M-S | Din 32 Rail slotted 2 meter | 50 |
| | CA701-1M | Din 35 Rail unslotted 1 meter | 50 |
| | CA701-2M | Din 35 Rail unslotted 2 meter | 50 |
| | CA701-2M-S | Din 35 Rail slotted 2 meter | 50 |
| | CA701-1M-S | Din 35 Rail slotted 1 meter | 50 |

IMRE1SSxx/2
4/OM

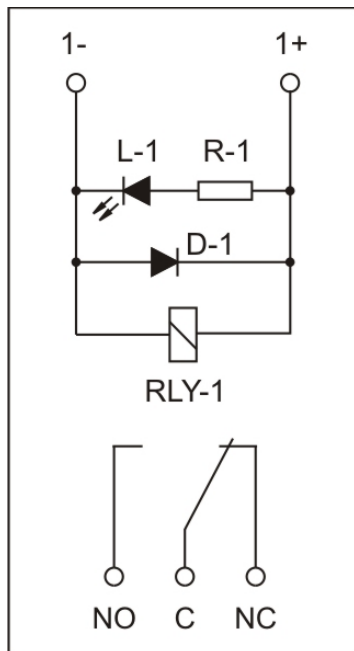


connectwell
THE RIGHT CONNECTION

ACCESSORIES

| IMAGES | CAT. NO. | DESCRIPTION | STD. PACK |
|--------|-----------------|---|-----------|
| | CA701-15-1M | Din 35 Rail 15 deep unslotted 1 meter | 50 |
| | CA701-15-1M-S | Din 35 Rail 15 deep slotted 1 meter | 50 |
| | CA701-15-2M | Din 35 Rail 15 deep unslotted 2 meter | 50 |
| | CA701-15-2M-S | Din 35 Rail 15 deep slotted 2 meter | 50 |
| | CA509/K2 | Marking Tag Blank suitable for CDL4U / CDL4U(I.S) / CTL2.5U / CTL2.5UH / CTL2.5UL / CTL2.5HUL / CTL2.5U(I.S) / CTL2.5U(I.S)D2 / CGMT4 / CSFL4U / CSFL4U(L) / CMT4 / CMB4 / ASF4 / ASF4(L) / CTS2.5() | 100 |
| | SCS0.5/3 | Electricians Screwdriver for slotted screws | 10 |
| | IMACC/G2R1/24DC | RELAY 1CO 24VDC | 10 |

CIRCUIT DIAGRAM



NOTES

- * Module Lengths mentioned are for RAIL Mounting option only. The lengths may vary for PANEL Mounting.
- ** PANEL Mounting relay modules are available on request. Please use the suffix -P with the cat. no. for ordering.
- ***Module with Other Coil Voltage like 6 VDC, 48 VDC, 24 VAC etc. are available on request.
- **** Module with only 1 NO (SPST) contacts are available on request.