

IMRE4SSxx/110
A/OM



connectwell
THE RIGHT CONNECTION

Relay Module 4CO 110VAC (4PDT)

- Relay Module For Industrial Suitability.
- Switching Current upto 5A at 230VAC (or 30VDC)
- Low Coil Drive Current (4.7 mA to 100 mA)
- Easy to replace Pluggable Relays.
- Possibility of Bussing (Jumpering) relays in common negative or common positive configurations.
- LED indication to denote relay actuation.
- Relay Coil Protection by means of a Freewheeling diode.
- Mounting Options available: DIN Rail mounting & Panel mounting

TECHNICAL DATA

Bussing Possibility	By using spare jumpers.
Relay on Indication	3mm Red LED
Relay Protection Method	Using 1N4007 Free Wheeling Diode
Ambient Operating Temperature	-20to+50 °C
Mounting Possibility	DIN32 / DIN35 / DIN35-15 / PANEL
Housing Material	PVC / V0 Grade
Housing Colour	Green

DSUB CONNECTOR SPECIFICATIONS

Housing Material (Insulator)	zh
------------------------------	----

RELAY INPUT / COIL SPECIFICATIONS

Nominal Operating Voltage	110 VAC
Nominal Input Current	11 mA
Maximum Operating Voltage	121 VAC
Must Operate Voltage	88 VAC
Must Release Voltage	33 VAC
Coil Resistance	4600 Ω

RELAY OUTPUT/CONTACT SPECIFICATIONS

Contact Type	4PDT - 4CO
Contact Material	AgCdO
Rated Contact Current (Resistive Load)	5 A
Load Voltage Range	250 VAC, 125 VDC
Maximum Operating Frequency	1800 Opr./Hr

CONNECTION SPECIFICATIONS

Type of Connection	Screw Connection
Min. Wire Size	0.5 mm ²
Max. Wire Size	2.5 mm ²
Min. Wire Size(AWG)	30 AWG
Max. Wire Size(AWG)	14 AWG
Wire Stripping Length	8.3 mm
Torque	0.5 Nm

CONNECTION SPECIFICATIONS

Torque	4.5 lb-in
--------	-----------

ORDERING INFORMATION

CAT. NO.	DESCRIPTION	NO. OF CHN.	DIM. DET.	STD. PACK
IMRE4SS1/1 10A/OM	4CO 1CH 110VAC Relay Module With Base (Pluggable Relay) Rail Mount	1	40 X 88 X 74	1
IMRE4SS2/1 10A/OM	4CO 2CH 110VAC Relay Module With Base (Pluggable Relay) Rail Mount	2	71 X 88 X 74	1
IMRE4SS4/1 10A/OM	4CO 4CH 110VAC Relay Module With Base (Pluggable Relay) Rail Mount	4	137 X 88 X 74	1
IMRE4SS8/1 10A/OM	4CO 8CH 110VAC Relay Module With Base (Pluggable Relay) Rail Mount	8	257 X 88 X 74	1




ACCESSORIES

IMAGES	CAT. NO.	DESCRIPTION	STD. PACK
	CA501-1M	Din 32 Rail unslotted 1 meter	50
	CA501-1M-S	Din 32 Rail slotted 1 meter	50
	CA501-2M	Din 32 Rail unslotted 2 meter	50
	CA501-2M-S	Din 32 Rail slotted 2 meter	50
	CA701-1M	Din 35 Rail unslotted 1 meter	50
	CA701-2M	Din 35 Rail unslotted 2 meter	50
	CA701-2M-S	Din 35 Rail slotted 2 meter	50
	CA701-1M-S	Din 35 Rail slotted 1 meter	50
	CA701-15-1M	Din 35 Rail 15 deep unslotted 1 meter	50
	CA701-15-1M-S	Din 35 Rail 15 deep slotted 1 meter	50
	CA701-15-2M	Din 35 Rail 15 deep unslotted 2 meter	50
	CA701-15-2M-S	Din 35 Rail 15 deep slotted 2 meter	50

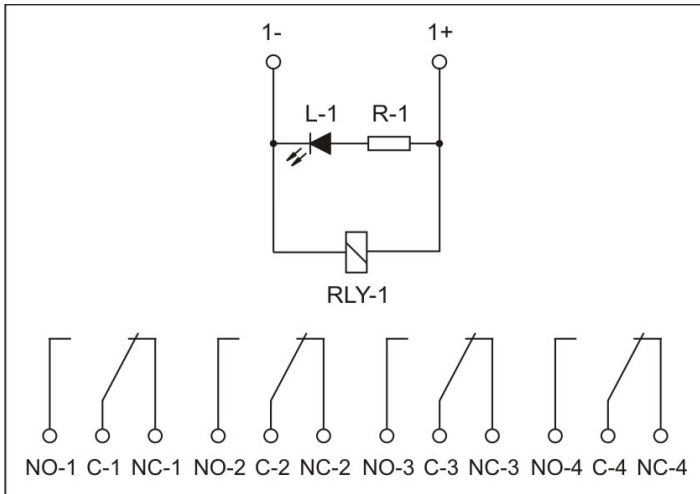
IMRE4SSxx/110
A/OM



ACCESSORIES

IMAGES	CAT. NO.	DESCRIPTION	STD. PACK
	CA509/K2	Marking Tag Blank suitable for CDL4U / CDL4U(I.S) / CTL2.5U / CTL2.5UH / CTL2.5UL / CTL2.5HUL / CTL2.5U(I.S) / CTL2.5U(I.S)D2 / CGMT4 / CSFL4U / CSFL4U(L) / CMT4 / CMB4 / ASF4 / ASF4(L) / CTS2.5(100
	SCS0.5/3	Electricians Screwdriver for slotted screws	10
	IMACC/MY4-110AC	RELAY 4CO 110VAC	10

CIRCUIT DIAGRAM



NOTES

* Module Lengths mentioned are for RAIL Mounting option only. The lengths may vary for PANEL Mounting.
** PANEL Mounting relay modules are available on request. Please use the suffix -P with the cat. no. for ordering.