



275V Varistor Module with Common Anode Configuration

- Ease of connection with the use of standard screw connection Terminal Blocks.
- Available with individual and common anode standard configurations.
- Available with various varistor voltage ratings.
- Housed in V0 fire retardant grade PVC mounting track.

TECHNICAL DATA

Ambient Operating Temperature	-20to+50 °C
Mounting Possibility	DIN32 / DIN35 / DIN35-15 / PANEL
Housing Material	PVC / V0 Grade
Housing Colour	Green

CONNECTION SPECIFICATIONS

Type of Connection	Screw Connection
Min. Wire Size	0.5 mm ²
Max. Wire Size	2.5 mm ²
Min. Wire Size(AWG)	30 AWG
Max. Wire Size(AWG)	14 AWG
Screw Size	8.3 mm
Torque	0.5 Nm
Torque	4.5 lb-in

ORDERING INFORMATION

CAT. NO.	DESCRIPTION	NO. OF CHN.	DIM. DET.	STD. PACK
IMV/5/R/275	5 Channel 275V Varistor Module with Common Anode Configuration Rail mount	5	27 X 88 X 65	1
IMV/9/R/275	9 Channel 275V Varistor Module with Common Anode Configuration Rail mount	9	37 X 88 X 65	1
IMV/14/R/275	14 Channel 275V Varistor Module with Common Anode Configuration Rail mount	14	53 X 88 X 65	1

ACCESSORIES

IMAGES	CAT. NO.	DESCRIPTION	STD. PACK
	CA501-1M	Din 32 Rail unslotted 1 meter	50
	CA501-1M-S	Din 32 Rail slotted 1 meter	50
	CA501-2M	Din 32 Rail unslotted 2 meter	50
	CA501-2M-S	Din 32 Rail slotted 2 meter	50
	CA701-1M	Din 35 Rail unslotted 1 meter	50
	CA701-2M	Din 35 Rail unslotted 2 meter	50
	CA701-2M-S	Din 35 Rail slotted 2 meter	50
	CA701-1M-S	Din 35 Rail slotted 1 meter	50

ACCESSORIES

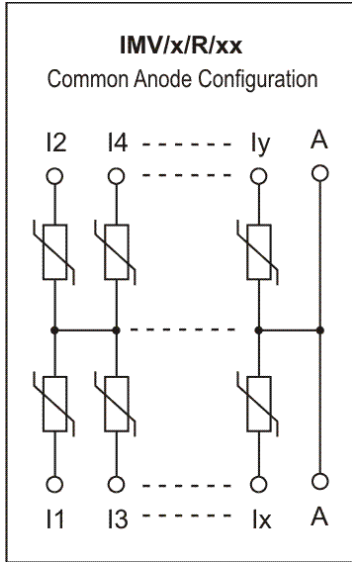
IMAGES	CAT. NO.	DESCRIPTION	STD. PACK
	CA701-15-1M	Din 35 Rail 15 deep unslotted 1 meter	50
	CA701-15-1M-S	Din 35 Rail 15 deep slotted 1 meter	50
	CA701-15-2M	Din 35 Rail 15 deep unslotted 2 meter	50
	CA701-15-2M-S	Din 35 Rail 15 deep slotted 2 meter	50
	CA509/K2	Marking Tag Blank suitable for CDL4U / CDL4U(I.S) / CTL2.5U / CTL2.5UH / CTL2.5UL / CTL2.5HUL / CTL2.5U(I.S) / CTL2.5U(I.S)D2 / CGMT4 / CSFL4U / CSFL4U(L) / CMT4 / CMB4 / ASF4 / ASF4(L) / CTS2.5()	100
	SCS0.5/3	Electricians Screwdriver for slotted screws	10

MOV SPECIFICATIONS

Clamping Voltage	710 V
Maximum Allowable Voltage (AC)	275 VAC
Maximum Allowable Voltage (DC)	350 VDC
Maximum Energy (2 micro sec.)	71 joule
Maximum Power Rating	0.6 W
Operating Voltage Range	315 to 385 V
Response Time	<25 secs
Surge Current (8/20 micro sec.)	4500 A
Varistor Type	14mm Diameter



CIRCUIT DIAGRAM



NOTES

* Module Lengths mentioned are for RAIL Mounting option only. The lengths may vary for PANEL Mounting. ** PANEL mounting modules are available on request. Please use the suffix - P with the above cat. no. for ordering. *** Varistor voltages are indicative of the range available. All other varistor voltages for 14 mm & 20 mm varistors are available on request.