

## **VARIETY TO SUIT ALL YOUR APPLICATION NEEDS**

When it comes to variety on Flexible Corrugated Conduits, Controlwell raises the bar with a wide choice of materials and sizes to meet varied applications.

These conduits have an extremely small bending radius and offer high impact resistance. When combined with Controlwell Conduit Glands they offer IP67 protection to cables housed there in.

They come with added benefits of being UV Resistant, Halogen Free, Acid Proof and Flame Retardant in nature.

With approvals like UL, VDE, CSA and CE Mark these conduits are the final word when it comes to cable protection.

Controlwell conduits are available in:

- Polyamide
- Polyethylene
- Polypropylene
- Galvanized Steel
- Stainless Steel
- PVC coated Galvanized Steel
- Anaconda Liquidtite & Sealtite Conduits



# FLEXIBLE NON METALLIC & NON METALLIC CONDUITS

GOING THE WHOLE LENGTH TO SAFEGUARD YOUR CABLES

[www.controlwell.com](http://www.controlwell.com)






HIGH GRADE POLYAMIDE FLEXIBLE CONDUITS

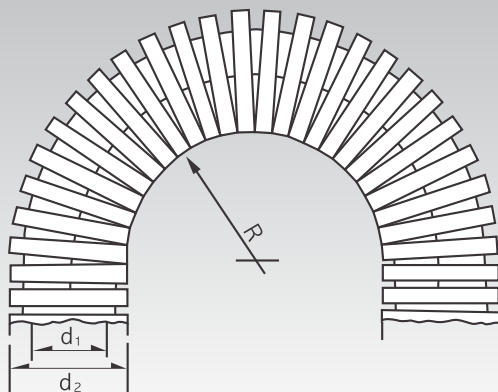
UNSLITTED



These Conduits are made of high quality flame-retardant Polyamide 6. They are flexible, halogen-free and have a small bending radius. They also offer good impact resistance. They are suitable for various applications such as ship, train building, rolling stock, railway and subway etc. These Conduits offer IP 67 protection in combination with Conduit Glands. UV resistant Conduits are also available on request. These Conduits are available in grey and black colours and comply with EN 60529 and IEC 61386 standards.

| Technical Details : |   |
|---------------------|---|
| Material            | Polyamide 12  |
| Flexural Strength   | 710 kg / cm <sup>2</sup>  |
| Flexural Modulus    | 15,000 kg / cm <sup>2</sup>   |
| Tensile Strength    | 550 kg / cm <sup>2</sup>  |
| Impact Strength     | 15 Kg.cm / cm   |
| Temperature Range   | -50° C to +95° C Continuous,<br>+150° C Short Term  |
| Resistant           | Alcohol, Benzol, Mineral Oil,<br>Diesel Fuel, etc.  |
| Protection Class    | IP 67   |
| Approvals           |    |

| Cat. No. Grey | Cat. No. Black | Inner Diameter d1 (mm) | Outer Diameter d2 (mm) | Bending Radius R (mm) ±10% | Standard Pack (meters) |
|---------------|----------------|------------------------|------------------------|----------------------------|------------------------|
| PAR-07G       | PAR-07B        | 6.4                    | 10.0                   | 15                         | 50                     |
| PAR-10G       | PAR-10B        | 9.6                    | 13.0                   | 20                         | 50                     |
| PAR-12G       | PAR-12B        | 11.8                   | 15.8                   | 30                         | 50                     |
| PAR-16G       | PAR-16B        | 15.9                   | 21.2                   | 40                         | 50                     |
| PAR-22G       | PAR-22B        | 21.7                   | 28.5                   | 45                         | 50                     |
| PAR-28G       | PAR-28B        | 27.8                   | 34.5                   | 55                         | 50                     |
| PAR-36G       | PAR-36B        | 36.0                   | 42.5                   | 60                         | 30                     |
| PAR-48G       | PAR-48B        | 46.5                   | 54.5                   | 70                         | 30                     |
| PAR-56G       | PAR-56B        | 56.3                   | 67.2                   | 110                        | 30                     |
| PAR-70G       | PAR-70B        | 70.0                   | 82.5                   | 160                        | 10                     |



APPLICATION IMAGE



These Conduits are made of high quality flame-retardant Polyamide 6. They are flexible, halogen-free and have a small bending radius. They also offer good impact resistance. They are suitable for various applications such as ship, train building, rolling stock, railway and subway etc. These Conduits offer IP 67 protection in combination with Conduit Glands. UV resistant Conduits are also available on request. These Conduits are available in grey and black colours and comply with EN 60529 and IEC 61386 standards.

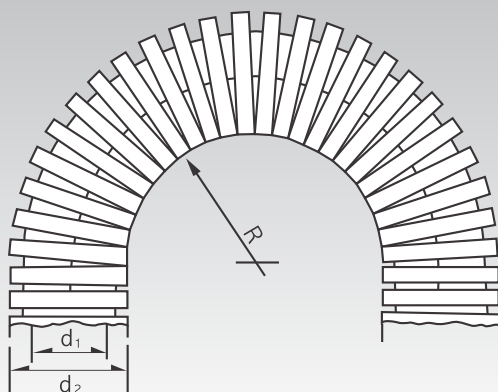
| Technical Details : |   |
|---------------------|---|
| Material            | Polyamide 6   |
| Flexural Strength   | 950 kg / cm <sup>2</sup>  |
| Flexural Modulus    | 26,000 kg / cm <sup>2</sup>   |
| Tensile Strength    | 700 kg / cm <sup>2</sup>  |
| Impact Strength     | 25 kg.cm / cm   |
| Temperature Range   | -40 <sup>o</sup> C to +105 <sup>o</sup> C Continuous,<br>+150 <sup>o</sup> C Short Term |
| Resistant           | Alcohol, Benzol, Greases,<br>Mineral Oil, Diesel Fuel,<br>Sea Water, Petrol, etc.       |
| Protection Class    | IP 67   |
| Approvals           |   |

HIGH GRADE POLYAMIDE FLEXIBLE CONDUITS

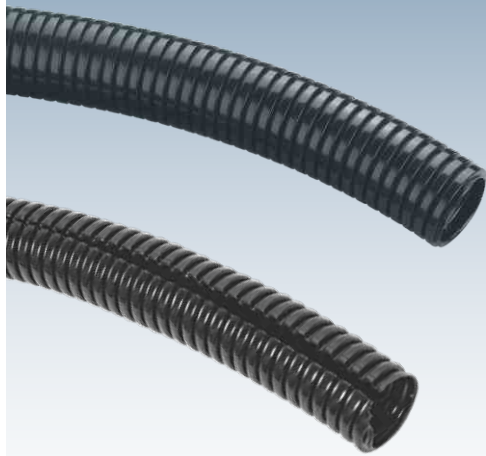
UNSLITTED



| Cat. No. Grey | Cat. No. Black | Inner Diameter d1 (mm) | Outer Diameter d2 (mm) | Bending Radius R (mm) ±10% | Standard Pack (meters) |
|---------------|----------------|------------------------|------------------------|----------------------------|------------------------|
| PAH-07G       | PAH-07B        | 6.4                    | 10.0                   | 15                         | 50                     |
| PAH-10G       | PAH-10B        | 9.6                    | 13.0                   | 20                         | 50                     |
| PAH-12G       | PAH-12B        | 11.8                   | 15.8                   | 30                         | 50                     |
| PAH-16G       | PAH-16B        | 15.9                   | 21.2                   | 40                         | 50                     |
| PAH-22G       | PAH-22B        | 21.7                   | 28.5                   | 45                         | 50                     |
| PAH-28G       | PAH-28B        | 27.8                   | 34.5                   | 55                         | 50                     |
| PAH-36G       | PAH-36B        | 36.0                   | 42.5                   | 60                         | 30                     |
| PAH-48G       | PAH-48B        | 46.5                   | 54.5                   | 70                         | 30                     |
| PAH-56G       | PAH-56B        | 56.3                   | 67.2                   | 110                        | 30                     |
| PAH-70G       | PAH-70B        | 70.0                   | 82.5                   | 160                        | 10                     |
| PAH-95G       | PAH-95B        | 91.5                   | 106.0                  | 210                        | 10                     |



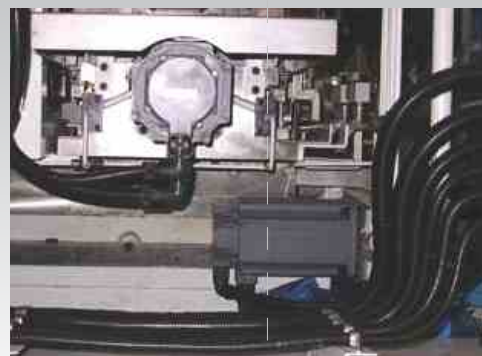
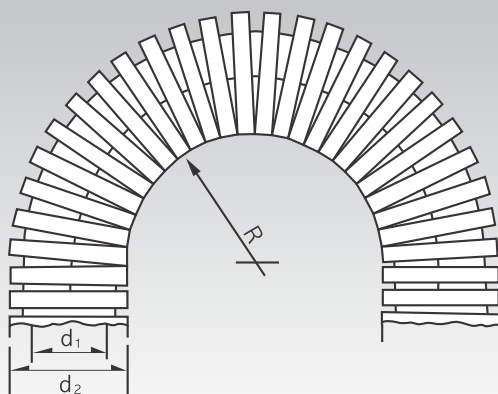
APPLICATION IMAGE


**STANDARD POLYAMIDE FLEXIBLE CONDUITS**
**SLITTED / UNSLITTED**


These Conduits are made of self extinguishing Polyamide 6. They are flexible, halogen-free and have a small bending radius. They offer good impact resistance and are suitable for various applications such as ship and train building, machine building, tramway, movable machine parts, etc. These Conduits offer IP 67 protection in combination with Conduit Glands. UV resistant Conduits are also available on request. These Conduits are available in grey and black colours and comply with EN 60529 and IEC 61386 standards.

| Technical Details : |   |
|---------------------|---|
| Material            | Polyamide 6   |
| Flexural Strength   | 850 kg / cm <sup>2</sup>  |
| Flexural Modulus    | 20,000 kg / cm <sup>2</sup>   |
| Tensile Strength    | 630 kg / cm <sup>2</sup>  |
| Impact Strength     | 20 kg.cm / cm   |
| Temperature Range   | -40° C to +105° C Continuous,<br>+130° C Short Term                               |
| Resistant           | Alcohol, Benzol, Greases,<br>Mineral Oil, Diesel Fuel,<br>Sea Water, Petrol, etc. |
| Protection Class    | IP 67   |

| Cat. No.<br>Grey | Cat. No.<br>Grey Slitted | Cat. No.<br>Black | Cat. No.<br>Black Slitted | Inner Diameter<br>d1 (mm) | Outer Diameter<br>d2 (mm) | Bending Radius<br>R (mm) ±10% | Standard<br>Pack (meters) |
|------------------|--------------------------|-------------------|---------------------------|---------------------------|---------------------------|-------------------------------|---------------------------|
|                  |                          | CPS-4.5B          | CPSS-4.5B                 | 5.0                       | 7.1                       | 12                            | 100                       |
| CPS-07G          | CPSS-07G                 | CPS-07B           | CPSS-07B                  | 6.4                       | 10.0                      | 15                            | 50                        |
| CPS-10G          | CPSS-10G                 | CPS-10B           | CPSS-10B                  | 9.6                       | 13.0                      | 20                            | 50                        |
| CPS-12G          | CPSS-12G                 | CPS-12B           | CPSS-12B                  | 11.8                      | 15.8                      | 30                            | 50                        |
| CPS-16G          | CPSS-16G                 | CPS-16B           | CPSS-16B                  | 15.9                      | 21.2                      | 40                            | 50                        |
| CPS-22G          | CPSS-22G                 | CPS-22B           | CPSS-22B                  | 21.7                      | 28.5                      | 45                            | 50                        |
| CPS-28G          | CPSS-28G                 | CPS-28B           | CPSS-28B                  | 27.8                      | 34.5                      | 55                            | 50                        |
| CPS-36G          | CPSS-36G                 | CPS-36B           | CPSS-36B                  | 36.0                      | 42.5                      | 60                            | 30                        |
| CPS-48G          | CPSS-48G                 | CPS-48B           | CPSS-48B                  | 46.5                      | 54.5                      | 70                            | 30                        |
| CPS-56G          | CPSS-56G                 | CPS-56B           | CPSS-56B                  | 56.3                      | 67.2                      | 110                           | 30                        |
| CPS-70G          | CPSS-70G                 | CPS-70B           | CPSS-70B                  | 70.0                      | 82.5                      | 160                           | 10                        |
| CPS-95G          | CPSS-95G                 | CPS-95B           | CPSS-95B                  | 91.5                      | 106.0                     | 210                           | 10                        |


**APPLICATION IMAGE**

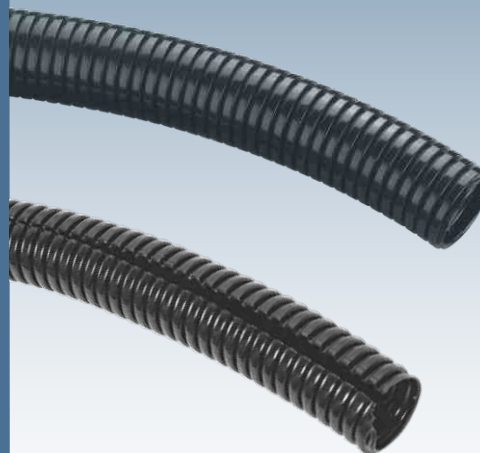


These Conduits are made of soft polyethylene (PE). They are flexible, and have a small bending radius offering good impact resistance. They are suitable for various applications such as machine tool, industrial machinery, chemical machinery etc. These Conduits offer IP67 protection in combination with Conduit Glands. UV resistant Conduits are also available on request. These Conduits are available in grey and black colours.

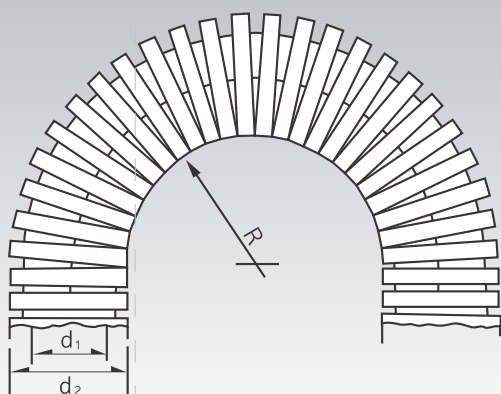
| Technical Details : |   |
|---------------------|---|
| Material            | Polyethylene (PE)   |
| Flexural Strength   | 500 kg / cm <sup>2</sup>  |
| Flexural Modules    | 16,000 kg / cm <sup>2</sup>   |
| Tensile Strength    | 520 kg / cm <sup>2</sup>  |
| Impact Strength     | 15 kg.cm / cm   |
| Temperature Range   | -15 <sup>o</sup> C to +60 <sup>o</sup> C Continuous,<br>+80 <sup>o</sup> C Short Term |
| Resistant           | Acid, Sea Water,<br>Ammonia, etc.   |
| Protection Class    | IP 68   |

POLYETHYLENE FLEXIBLE CONDUITS

SLITTED / UNSLITTED



| Cat. No. Grey | Cat. No. Grey Slitted | Cat. No. Black | Cat. No. Black Slitted | Inner Diameter d1 (mm) | Outer Diameter d2 (mm) | Bending Radius R (mm) ±10% | Standard Pack (meters) |
|---------------|-----------------------|----------------|------------------------|------------------------|------------------------|----------------------------|------------------------|
|               |                       | PES-4.5B       | PESS-4.5B              | 5.0                    | 7.1                    | 12                         | 100                    |
| PES-07G       | PESS-07G              | PES-07B        | PESS-07B               | 6.4                    | 10.0                   | 15                         | 50                     |
| PES-10G       | PESS-10G              | PES-10B        | PESS-10B               | 9.6                    | 13.0                   | 20                         | 50                     |
| PES-12G       | PESS-12G              | PES-12B        | PESS-12B               | 11.8                   | 15.8                   | 30                         | 50                     |
| PES-16G       | PESS-16G              | PES-16B        | PESS-16B               | 15.9                   | 21.2                   | 40                         | 50                     |
| PES-22G       | PESS-22G              | PES-22B        | PESS-22B               | 21.7                   | 28.5                   | 45                         | 50                     |
| PES-28G       | PESS-28G              | PES-28B        | PESS-28B               | 27.8                   | 34.5                   | 55                         | 50                     |
| PES-36G       | PESS-36G              | PES-36B        | PESS-36B               | 36.0                   | 42.5                   | 60                         | 30                     |
| PES-48G       | PESS-48G              | PES-48B        | PESS-48B               | 46.5                   | 54.5                   | 70                         | 30                     |
| PES-56G       | PESS-56G              | PES-56B        | PESS-56B               | 56.3                   | 67.2                   | 110                        | 30                     |
| PES-70G       | PESS-70G              | PES-70B        | PESS-70B               | 70.0                   | 82.5                   | 160                        | 10                     |
| PES-95G       | PESS-95G              | PES-95B        | PESS-95B               | 91.5                   | 106.0                  | 210                        | 10                     |



APPLICATION IMAGE



TWIN SLITTED CONDUITS

(CLOSABLE PROFILE)



Twin Slitted PA6, UV resistant conduits are used in applications where intermediate repair is expected. When wires or cables are to be replaced for repair work these conduits are the perfect solution. They are used in medium and heavy machines, computer installations, ship & train building, packaging-machines and automotive industry.

| Technical Details :    |  |
|------------------------|--|
| Material               | Polyamide 6  |
| Tensile Strength       | 250 N  |
| Impact Resistance      | 1 J  |
| Compression Resistance | 320 N  |
| Temperature Range      | -40°C to +120°C Continuous,<br>+150°C Intermittent |
| Colour                 | Black  |
| Protection Class       | IP 54  |

| Size   | Cat. No  | Inner Diameter (mm) | Outer Diameter (mm) | Bending Radius R (mm) | Standard Pack (meters) |
|--------|----------|---------------------|---------------------|-----------------------|------------------------|
| NW-7.5 | STSC-7.5 | 6.3                 | 10.2                | 15                    | 50                     |
| NW-10  | STSC-10  | 8.5                 | 13.3                | 30                    | 50                     |
| NW-13  | STSC-13  | 11.0                | 16.0                | 45                    | 50                     |
| NW-16  | STSC-16  | 13.0                | 19.0                | 60                    | 50                     |
| NW-17  | STSC-17  | 15.5                | 21.5                | 70                    | 50                     |
| NW-22  | STSC-22  | 19.1                | 25.6                | 80                    | 50                     |
| NW-26  | STSC-26  | 24.0                | 31.7                | 90                    | 25                     |
| NW-29  | STSC-29  | 27.3                | 34.8                | 100                   | 25                     |
| NW-37  | STSC-37  | 33.1                | 42.7                | 120                   | 25                     |
| NW-50  | STSC-50  | 43.9                | 53.9                | 150                   | 25                     |



MODIFIED POLYAMIDE FLEXIBLE

CONDUITS SLITTED / UNSLITTED



These Conduits are made of self extinguishing Polyamide 6. They are flexible, UV resistant, halogen-free and have a small bending radius. They offer good impact resistance and are suitable for various applications such as vehicle industries, body section and chassis etc. These Conduits offer IP 67 protection in combination with Conduit Glands.

| Technical Details : |  |
|---------------------|--|
| Material            | Modified Polyamide 6                             |
| Temperature Range   | -40°C to +150°C Continuous,<br>+175°C Short Term |
| Colour              | Black  |
| Protection Class    | IP 67  |
| Approvals           | ROhS   |

| Size  | Cat. No Unslitted | Cat. No Slitted | Inner Diameter (mm) | Outer Diameter (mm) | Standard Pack (meters) |
|-------|-------------------|-----------------|---------------------|---------------------|------------------------|
| NW4.5 | SPAER-4.5         | SPAERS-4.5      | 5                   | 7.1                 | 100                    |
| NW-7  | SPAER-7           | SPAERS-7        | 6.7                 | 10                  | 50                     |
| NW-10 | SPAER-10          | SPAERS-10       | 9.9                 | 13                  | 50                     |
| NW-12 | SPAER-12          | SPAERS-12       | 12.2                | 15.7                | 50                     |
| NW-17 | SPAER-17          | SPAERS-17       | 16.6                | 21.2                | 50                     |
| NW-23 | SPAER-23          | SPAERS-23       | 23.2                | 28.3                | 50                     |
| NW-29 | SPAER-29          | SPAERS-29       | 29                  | 34.5                | 25                     |
| NW-37 | SPAER-37          | SPAERS-37       | 36                  | 42.4                | 25                     |



These Corrugated Conduits are made from modified Polypropylene. They are very flexible, acid-proof, flame-retardant and have high cold impact strength. It is used in engine compartment, car body interior, machining industry, home appliance industry, heating and air-conditioning installations, ship and train building. Mounting tools are available for opening and closing of these conduits.

#### Technical Details :

|                   |  |
|-------------------|--|
| Material          | Modified Polypropylene                           |
| Colour            | RAL 9005 (Black)                                 |
| Temperature Range | -40°C to +135°C Continuous,<br>+150°C Short Term |

#### LOCKABLE FLEXIBLE CONDUITS



| Conduit Cat. No. | Conduit Inner Diameter (mm) | Conduit Outer Diameter (mm) | Bending Radius (mm) ±10% | Standard Pack for Conduit (meters) | Opening Tool Cat. No. | Closing Tool Cat. No. | Standard Pack for Tool (pieces) |
|------------------|-----------------------------|-----------------------------|--------------------------|------------------------------------|-----------------------|-----------------------|---------------------------------|
| SPPM-8.5         | 8.6                         | 12.8                        | 47                       | 50                                 | SOT - 8.5             | SCT - 8.5             | 1                               |
| SPPM-10L*        | 10.2                        | 13.3                        | 47                       | 50                                 | -                     | -                     | 1                               |
| SPPM-11          | 11.2                        | 15.7                        | 50                       | 50                                 | SOT - 11              | SCT - 11              | 1                               |
| SPPM-13          | 12.2                        | 18.3                        | 50                       | 50                                 | SOT - 13              | SCT - 13              | 1                               |
| SPPM-15          | 14.9                        | 21.3                        | 55                       | 50                                 | SOT - 15              | SCT - 15              | 1                               |
| SPPM-19          | 19.0                        | 25.6                        | 65                       | 50                                 | SOT - 19              | SCT - 19              | 1                               |
| SPPM-26          | 24.6                        | 31.5                        | 70                       | 25                                 | SOT - 26              | SCT - 26              | 1                               |

\* Self closing conduit - No tool is required.



Flexi-Cover is a quick and easy system for organizing and protecting pre-connected wires / cables. This system consists of a Conduit and a tool for locking and unlocking. The Conduit is an open tube made of Polyethylene resin which is capable of easily returning back to its normal state. The Conduit can be re-used hundreds of times with guaranteed flexibility. The tool for locking and unlocking operation is made of ABS and has a side opening that allows quick and easy placement of cables in the conduits.

#### Technical Details :

|                   |                           |
|-------------------|---------------------------|
| Material          | Polyethylene              |
| Tool Material     | ABS                       |
| Colour            | Ivory & Black             |
| Temperature Range | -15°C to +60°C Continuous |

#### FLEXI-COVER CONDUITS



| Conduit Cat. No. Ivory | Conduit Cat. No. Black | Inner Diameter (mm) | Standard Pack for Conduit (meters) | Opening / Closing Tool Cat. No. | Standard Pack for Tool (pieces) |
|------------------------|------------------------|---------------------|------------------------------------|---------------------------------|---------------------------------|
| EFC10G                 | EFC10B                 | 8.0                 | 50                                 | EFCC10                          | 1                               |
| EFC16G                 | EFC16B                 | 15.0                | 50                                 | EFCC16                          | 1                               |
| EFC22G                 | EFC22B                 | 20.0                | 50                                 | EFCC22                          | 1                               |
| EFC28G                 | EFC28B                 | 25.0                | 50                                 | EFCC28                          | 1                               |
| EFC34G                 | EFC34B                 | 30.0                | 50                                 | EFCC34                          | 1                               |
| EFC42G                 | EFC42B                 | 38.0                | 50                                 | EFCC42                          | 1                               |





GALVANISED STEEL FLEXIBLE

CONDUITS - BARE METAL

RoHS

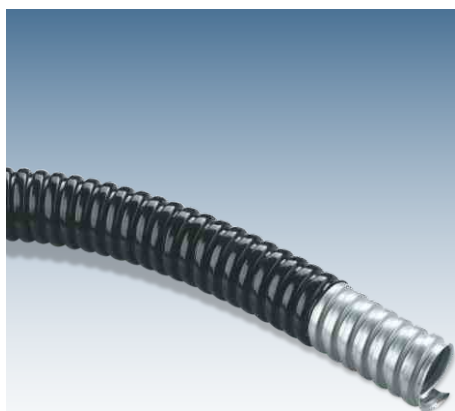
| Size    | Cat. No | Inner Diameter (mm) | Outer Diameter (mm) | Bending Radius R (mm) | Standard Pack (meters) |
|---------|---------|---------------------|---------------------|-----------------------|------------------------|
| NW-7    | MSB-7   | 8.0                 | 10.0                | 32                    | 50                     |
| NW-9    | MSB-9   | 11.0                | 14.0                | 45                    | 50                     |
| NW-11   | MSB-11  | 14.0                | 17.0                | 50                    | 50                     |
| NW-13.5 | MSB-13  | 16.0                | 19.0                | 50                    | 50                     |
| NW-16   | MSB-16  | 18.0                | 21.0                | 55                    | 50                     |
| NW-21   | MSB-21  | 23.0                | 27.0                | 65                    | 25                     |
| NW-29   | MSB-29  | 32.0                | 36.0                | 95                    | 25                     |
| NW-36   | MSB-36  | 40.0                | 45.0                | 105                   | 25                     |
| NW-42   | MSB-42  | 45.0                | 50.0                | 130                   | 25                     |
| NW-48   | MSB-48  | 50.0                | 56.0                | 140                   | 25                     |



The Square locked, helical Corrugated Bare Metal Conduits are highly flexible and have an angular profile. Their robust construction makes them resistant to high mechanical stresses. These also have high impact resistance. They are used in wiring of machine connections.

**Technical Details :**

|                   |                           |
|-------------------|---------------------------|
| Material          | Galvanized Steel          |
| Protection Class  | IP50                      |
| Temperature Range | -50° to +250°C Continuous |



GALVANISED STEEL FLEXIBLE

CONDUITS - PVC SHEATHED

RoHS

| Size    | Cat. No | Inner Diameter (mm) | Outer Diameter (mm) | Bending Radius R (mm) | Standard Pack (meters) |
|---------|---------|---------------------|---------------------|-----------------------|------------------------|
| NW-7    | MSP-7   | 7.0                 | 10.0                | 25.0                  | 50                     |
| NW-9    | MSP-9   | 10.0                | 14.0                | 35.0                  | 50                     |
| NW-11   | MSP-11  | 13.0                | 17.0                | 50.0                  | 50                     |
| NW-13.5 | MSP-13  | 15.0                | 19.0                | 55.0                  | 50                     |
| NW-16   | MSP-16  | 17.0                | 21.0                | 60.0                  | 50                     |
| NW-21   | MSP-21  | 21.0                | 27.0                | 65.0                  | 25                     |
| NW-29   | MSP-29  | 28.0                | 36.0                | 75.0                  | 25                     |
| NW-36   | MSP-36  | 37.0                | 45.0                | 90.0                  | 25                     |
| NW-42   | MSP-42  | 44.0                | 52.0                | 120.0                 | 25                     |
| NW-48   | MSP-48  | 48.0                | 56.0                | 135.0                 | 25                     |



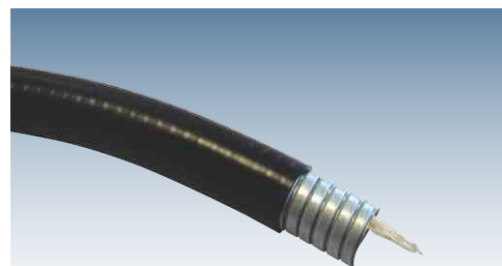
The Square locked, helical Corrugated Flame retardant PVC sheathed metal conduits are highly flexible. They do not contain silicon or cadmium. Their robust construction makes them resistant to high mechanical stresses. These also have high impact resistance. These conduits offer IP67 protection when combined with appropriate Controlwell conduit glands.

**Technical Details :**

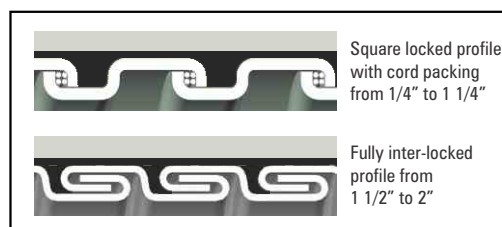
|                   |                             |
|-------------------|-----------------------------|
| Material          | PVC Coated Galvanized Steel |
| Protection Class  | IP 67                       |
| Temperature Range | -25° to +100°C Continuous   |

## LIQUID TIGHT PVC COATED SMOOTH CONDUITS - TYPE EF

Type EF is a widely usable liquid tight PVC coated smooth conduit. This conduit, with its lead-free cover, is meant for applications where no extreme external parameters have influence on the conduit. Some of its applications include: Use in the apparatus & machine building, panel building, packing machines, paper recycling machines, pharmaceutical machines and transport systems. These conduits are resistant to UV & Sunlight. They are suitable for outdoor use and burial installation.



RoHS

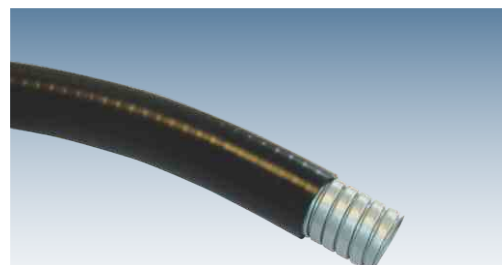


| Technical Details :             |   |
|---------------------------------|---|
| Construction                    | Galvanized steel square locked profile with cord packing and smooth PCT Cover from 1/4" to 1 1/4". Fully inter-locked profile from 1 1/2" to 2" |
| Temperature Range               | -25° to +70°C, Intermittent upto +90°C  |
| Protection Class                | IP 67   |
| Colour                          | Black   |
| Compression Resistance          | Heavy (1250 N)  |
| Impact Resistance               | Heavy (6 J)   |
| Tensile Strength                | Heavy (1000 N)  |
| Resistance to Flame propagation | Non Flame Propagating   |

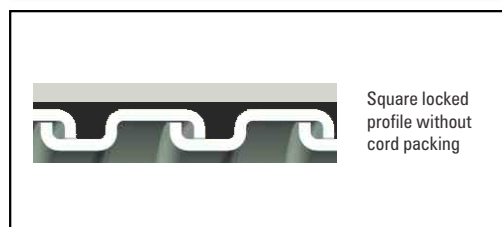
| Size (Inch) | Cat. No     | Inner Diameter (mm) | Outer Diameter (mm) | Bending Radius R (mm) | Standard Pack (meters) |
|-------------|-------------|---------------------|---------------------|-----------------------|------------------------|
| 3/8"        | AEFB-3/8"   | 12.6                | 17.8                | 60                    | 10                     |
| 1/2"        | AEFB-1/2"   | 16.0                | 21.1                | 75                    | 10                     |
| 3/4"        | AEFB-3/4"   | 21.0                | 26.4                | 90                    | 10                     |
| 1"          | AEFB-1"     | 26.5                | 33.1                | 120                   | 10                     |
| 1 1/4"      | AEFB-1 1/4" | 35.1                | 41.8                | 150                   | 10                     |
| 1 1/2"      | AEFB-1 1/2" | 40.3                | 47.8                | 200                   | 15                     |
| 2"          | AEFB-2"     | 51.6                | 59.9                | 250                   | 15                     |

## LIQUID TIGHT PVC COATED SMOOTH CONDUITS - TYPE EFM

Type EFM is an economical liquid tight PVC coated smooth conduit. This conduit, with its lead-free cover, is meant for applications where no extreme external parameters have influence on the conduit and also no frequent movements are required. Some of its applications include: Use in the machine building, panel building, wood cutting machinery, & packing machines. These conduits are resistant to UV & Sunlight. They are suitable for outdoor use and burial installation.



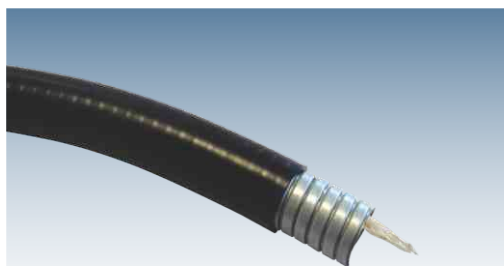
RoHS



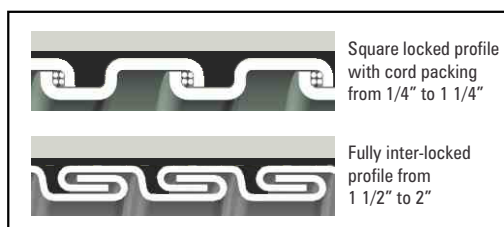
| Technical Details :             |   |
|---------------------------------|---|
| Construction                    | Galvanized steel square locked profile without cord packing and with Smooth PVC cover |
| Temperature Range               | -20° to +60°C, Intermittent upto +80°C  |
| Protection Class                | IP 67   |
| Colour                          | Black   |
| Compression Resistance          | Medium (750 N)  |
| Impact Resistance               | Heavy (6 J)   |
| Tensile Strength                | Heavy (1000 N)  |
| Resistance to Flame propagation | Non Flame Propagating   |

| Size (Inch) | Cat. No      | Inner Diameter (mm) | Outer Diameter (mm) | Bending Radius R (mm) | Standard Pack (meters) |
|-------------|--------------|---------------------|---------------------|-----------------------|------------------------|
| 3/8"        | AEFMB-3/8"   | 12.6                | 17.8                | 60                    | 75                     |
| 1/2"        | AEFMB-1/2"   | 16.0                | 21.1                | 75                    | 60                     |
| 3/4"        | AEFMB-3/4"   | 21.0                | 26.4                | 90                    | 30                     |
| 1"          | AEFMB-1"     | 26.5                | 33.1                | 120                   | 30                     |
| 1 1/4"      | AEFMB-1 1/4" | 35.1                | 41.8                | 150                   | 15                     |
| 1 1/2"      | AEFMB-1 1/2" | 40.3                | 47.8                | 200                   | 15                     |
| 2"          | AEFMB-2"     | 51.6                | 59.9                | 250                   | 15                     |

## LIQUID TIGHT PVC COATED SMOOTH CONDUITS - TYPE HC



### RoHS



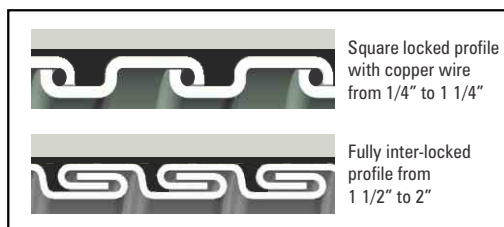
Type HC is an excellent liquid tight PVC coated smooth conduit for high temperature applications. The special PVC cover maintains its flexibility under high and low temperature conditions. Hence this conduit is used for applications where extreme temperature variations have influence on the conduit. Some of its applications include: Train warning systems, transformers, security systems, wood cutting machines, etc. These conduits are resistant to UV & Sunlight. The PVC cover has good resistance against oil & grease.

#### Technical Details :

|                                 |  |
|---------------------------------|--|
| Construction                    | Galvanized steel square locked profile with PVC cover & cord packing from 1/4" to 1 1/4"<br>Fully inter-locked profile from 1 1/2" to 2" |
| Temperature Range               | -45 <sup>o</sup> to +105 <sup>o</sup> C, Intermittent upto +120 <sup>o</sup> C   |
| Protection Class                | IP 67  |
| Colour                          | Black  |
| Compression Resistance          | Heavy (1250 N)   |
| Impact Resistance               | Heavy (6 J)  |
| Tensile Strength                | Heavy (1000 N)   |
| Resistance to Flame propagation | Non Flame Propagating  |

| Size (Inch) | Cat. No     | Inner Diameter (mm) | Outer Diameter (mm) | Bending Radius R (mm) | Standard Pack (meters) |
|-------------|-------------|---------------------|---------------------|-----------------------|------------------------|
| 3/8"        | AHCB-3/8"   | 12.6                | 17.8                | 60                    | 10                     |
| 1/2"        | AHCB-1/2"   | 16                  | 21.1                | 75                    | 10                     |
| 3/4"        | AHCB-3/4"   | 21                  | 26.4                | 90                    | 10                     |
| 1"          | AHCB-1"     | 26.5                | 33.1                | 120                   | 10                     |
| 1 1/4"      | AHCB-1 1/4" | 35.1                | 41.8                | 135                   | 10                     |
| 1 1/2"      | AHCB-1 1/2" | 40.3                | 47.8                | 165                   | 15                     |
| 2"          | AHCB-2"     | 51.6                | 59.9                | 210                   | 15                     |

## LIQUID TIGHT PVC COATED SMOOTH CONDUITS - TYPE UA



Type UA is an excellent liquid tight PVC coated smooth conduit for EMI protection applications. This type of conduit has an integral grounding copper wire (upto 1 1/4") which allows it for use in EMI shielding applications. This conduit, with its lead-free cover, is meant for applications where no extreme external parameters have influence on the conduit. Some of its applications include: Use in the apparatus & machine building, panel building, packing machines, paper recycling machines, pharmaceutical machines and transport systems. These conduits are resistant to UV & Sunlight.

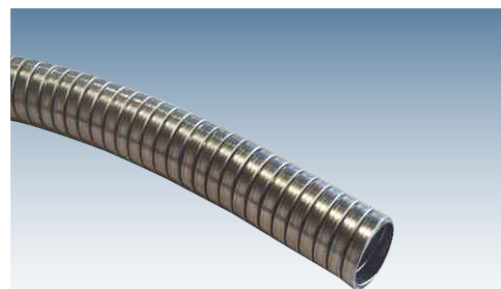
#### Technical Details :

|                                 |   |
|---------------------------------|---|
| Construction                    | Galvanized steel square locked profile with PVC cover & copper wire from 1/4" to 1 1/4"<br>Fully inter-locked profile from 1 1/2" to 2" |
| Temperature Range               | -20 <sup>o</sup> to +60 <sup>o</sup> C, Intermittent upto +80 <sup>o</sup> C  |
| Protection Class                | IP 67   |
| Colour                          | Black   |
| Compression Resistance          | Heavy (1250 N)  |
| Impact Resistance               | Heavy (6 J)   |
| Tensile Strength                | Heavy (1000 N)  |
| Resistance to Flame propagation | Non Flame Propagating   |

| Size (Inch) | Cat. No     | Inner Diameter (mm) | Outer Diameter (mm) | Bending Radius R (mm) | Standard Pack (meters) |
|-------------|-------------|---------------------|---------------------|-----------------------|------------------------|
| 3/8"        | AUAB-3/8"   | 12.6                | 17.8                | 70                    | 60                     |
| 1/2"        | AUAB-1/2"   | 16.1                | 21.1                | 90                    | 60                     |
| 3/4"        | AUAB-3/4"   | 21.1                | 26.4                | 115                   | 45                     |
| 1"          | AUAB-1"     | 26.8                | 33.1                | 145                   | 30                     |
| 1 1/4"      | AUAB-1 1/4" | 35.4                | 41.8                | 175                   | 15                     |
| 1 1/2"      | AUAB-1 1/2" | 40.3                | 47.8                | 205                   | 15                     |
| 2"          | AUAB-2"     | 51.6                | 59.9                | 240                   | 15                     |

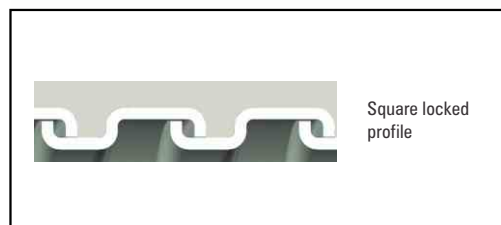
## STAINLESS STEEL SQUARE LOCKED CONDUITS - TYPE SLI

The S.L.I. Conduits made of stainless steel are highly flexible and mainly being used as an instrumentation hose. The S.L.I. Conduit is also used in steel and aluminium foundry industry, machine and apparatus-building. The S.L.I. is very popular in the fibre optics industry also. These hoses are used where chemical and mechanical protection is needed and high temperatures are involved.



RoHS

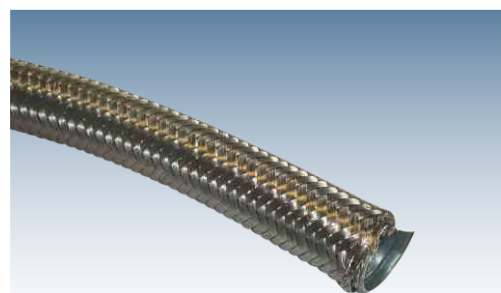
| Technical Details :             |  |
|---------------------------------|--|
| Construction                    | Stainless Steel AISI 304, Square-Locked Core<br>Fully inter-locked profile from 1 1/2" to 2" |
| Temperature Range               | -100 <sup>o</sup> to +600 <sup>o</sup> C   |
| Protection Class                | IP 40  |
| Colour                          | Metal  |
| Compression Resistance          | Medium (1250 N)<br>4000 N from 1 1/2" to 2"  |
| Impact Resistance               | Medium (6 J)   |
| Tensile Strength                | Medium (1000 N)  |
| Resistance to Flame propagation | Non Flame Propagating  |



| Size (Inch) | Cat. No     | Inner Diameter (mm) | Outer Diameter (mm) | Bending Radius R (mm) | Standard Pack (meters) |
|-------------|-------------|---------------------|---------------------|-----------------------|------------------------|
| 3/16"       | ASLI-3/16"  | 4.8                 | 6.9                 | 23                    | 30                     |
| 5/16"       | ASLI-5/16"  | 10.1                | 12.8                | 50                    | 30                     |
| 3/8"        | ASLI-3/8"   | 12.6                | 15.5                | 60                    | 30                     |
| 1/2"        | ASLI-1/2"   | 16.0                | 18.9                | 75                    | 30                     |
| 3/4"        | ASLI-3/4"   | 21.0                | 23.9                | 90                    | 30                     |
| 1"          | ASLI-1"     | 26.5                | 30.0                | 120                   | 30                     |
| 1 1/4"      | ASLI-1 1/4" | 35.1                | 38.7                | 135                   | 30                     |
| 1 1/2"      | AUI-1 1/2"  | 40.3                | 44.4                | 230                   | 15                     |
| 2"          | AUI-2"      | 51.6                | 55.7                | 285                   | 15                     |

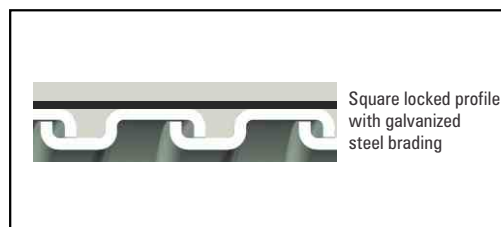
## STAINLESS STEEL BRAIDED GALVANIZED STEEL CONDUITS - TYPE SLB

S.L.B. Conduit is very useful for situations where a robust metal conduit along with high flexibility is demanded. This conduit has a square-locked construction in combination with a stainless steel braid. In combination with the special fittings this conduit is easy and quick to install. Type S.L.B. is particularly used in (mechanical) critical situations, such as machine building, steel works and also in transport systems and security. The S.L.B. is excellent in protecting cables against metal particles, vandalism, rodents and offers high level of shielding.



RoHS

| Technical Details :             |   |
|---------------------------------|---|
| Construction                    | Galvanized Steel, Square-Locked Core with<br>Stainless Steel Braid (AISI 304) |
| Temperature Range               | -55 <sup>o</sup> to +300 <sup>o</sup> C                                       |
| Protection Class                | IP 40   |
| Colour                          | Metal   |
| Compression Resistance          | Heavy (1250 N)  |
| Impact Resistance               | Heavy (6 J)   |
| Tensile Strength                | Heavy (1000 N)  |
| Resistance to Flame propagation | Non Flame Propagating   |



| Size (Inch) | Cat. No     | Inner Diameter (mm) | Outer Diameter (mm) | Bending Radius R (mm) | Standard Pack (meters) |
|-------------|-------------|---------------------|---------------------|-----------------------|------------------------|
| 3/8"        | ASLB-3/8"   | 12.6                | 15.8                | 60                    | 30                     |
| 1/2"        | ASLB-1/2"   | 16.0                | 20.5                | 75                    | 30                     |
| 3/4"        | ASLB-3/4"   | 21.0                | 25.5                | 90                    | 30                     |
| 1"          | ASLB-1"     | 26.5                | 32.8                | 120                   | 30                     |
| 1 1/4"      | ASLB-1 1/4" | 35.1                | 40.5                | 135                   | 30                     |
| 1 1/2"      | ASLB-1 1/2" | 40.3                | 46.5                | 165                   | 30                     |
| 2"          | ASLB-2"     | 51.6                | 58                  | 210                   | 30                     |