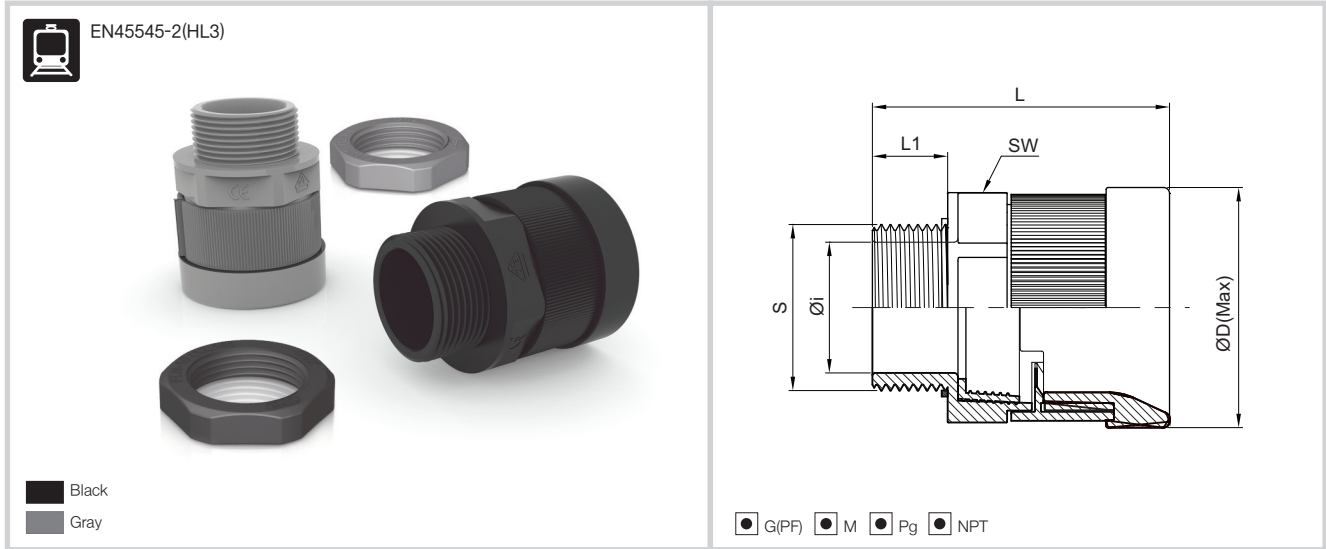
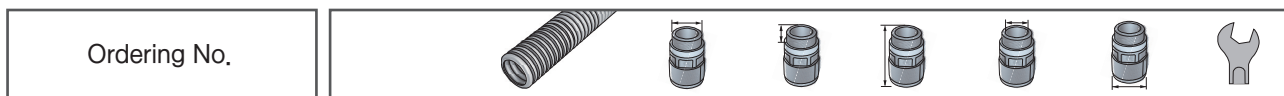


PNC IP68



- Material : High Quality Polyamide 6
- Degrees of Protection : IP 68 (EN 60529)
- The max. Instantaneous Temperature : -40°C to +105°C
- Short Term : up to +150° C
- Self-Extinguishing : UL94-HB / Free of Halogen Phosphorous and cadmium
- Color : Black & Gray
- Application : Machine tool, Shipbuilding, Tramway, Industrial / Automatic Machinery, Printing Machine etc. Joint box with connector
- Certification :

» Product size



PF Thread (JIS B0202)

Black	Gray	Thread	Tube Size	S	L1	L	Øi	ØD	SW
PNC-G07B	PNC-G07G	G1/4"	07	13.1	11.0	34.0	8.5	25.0	14.0
PNC-G10B	PNC-G10G	G1/2"	10	20.9	13.0	44.2	12.0	25.0	19.7
PNC-G12B	PNC-G12G	G1/2"	12	20.9	13.0	43.1	15.0	27.6	22.8
PNC-G16B	PNC-G16G	G1/2"	16	20.9	13.0	45.0	15.2	33.0	28.0
PNC-G22B	PNC-G22G	G3/4"	22	26.4	15.0	54.7	22.0	43.0	37.5
PNC-G28B	PNC-G28G	G1"	28	33.2	15.0	62.4	27.0	48.8	43.0
PNC-G36B	PNC-G36G	G1 1/4"	36	41.9	19.0	76.6	34.0	60.6	52.2
PNC-G42B	PNC-G42G	G1 1/2"	48	47.8	21.0	81.4	40.8	71.8	64.0
PNC-G48B	PNC-G48G	G2"	48	59.6	21.0	81.4	50.0	71.8	64.0

※ Available in Light Gray production.

(Dimensions in mm)

Ordering No.



Metric Thread (EN 60423)

(Dimensions in mm)

Black	Gray	Thread	Tube Size	S	L1	L	Øi	ØD	SW
PNC-M107B	PNC-M107G	M12 X 1,5	07	12,0	11,0	34,0	8,5	25,0	14,0
PNC-M127B	PNC-M127G	M16 X 1,5	07	16,0	11,0	34,0	8,5	25,0	14,0
PNC-M167B	PNC-M167G	M20 X 1,5	07	20,0	11,0	34,0	8,5	25,0	14,0
PNC-M10B	PNC-M10G	M12 X 1,5	10	12,0	13,0	43,5	7,5	25,0	19,7
PNC-M120B	PNC-M120G	M16 X 1,5	10	16,0	13,0	43,5	10,0	25,0	19,7
PNC-M20B	PNC-M20G	M20 X 1,5	10	20,0	13,0	43,5	12,0	25,0	19,7
PNC-M102B	PNC-M102G	M12 X 1,5	12	12,0	13,0	43,1	8,0	27,6	22,8
PNC-M12B	PNC-M12G	M16 X 1,5	12	16,0	13,0	43,1	12,0	27,6	22,8
PNC-M202B	PNC-M202G	M20 X 1,5	12	20,0	13,0	43,1	15,0	27,6	22,8
PNC-M126B	PNC-M126G	M16 X 1,5	16	16,0	13,0	45,0	12,0	33,0	28,0
PNC-M16B	PNC-M16G	M20 X 1,5	16	20,0	13,0	45,0	15,2	33,0	28,0
PNC-M226B	PNC-M226G	M25 X 1,5	16	25,0	13,0	45,0	17,5	33,0	28,0
PNC-M22B	PNC-M22G	M25 X 1,5	22	25,0	15,0	54,7	20,6	43,0	37,5
PNC-M3222B	PNC-M3222G	M32 X 1,5	22	32,0	15,0	54,7	22,0	43,0	37,5
PNC-M28B	PNC-M28G	M32 X 1,5	28	32,0	15,0	62,4	27,0	48,8	43,0
PNC-M4028B	PNC-M4028G	M40 X 1,5	28	40,0	15,0	62,4	30,5	48,8	43,0
PNC-M36B	PNC-M36G	M40 X 1,5	36	40,0	19,0	76,6	34,0	60,6	52,2
PNC-M5036B	PNC-M5036G	M50 X 1,5	36	50,0	19,0	76,6	36,0	60,6	52,2
PNC-M48B	PNC-M48G	M50 X 1,5	48	50,0	21,0	81,4	42,0	71,8	64,0
PNC-M6348B	PNC-M6348G	M63 X 1,5	48	63,0	21,0	81,4	50,0	71,8	64,0

Pg Thread (DIN 40430)

Black	Gray	Thread	Tube Size	S	L1	L	Øi	ØD	SW
PNC-P077B	PNC-P077G	Pg 07	07	12,5	11,0	34,0	8,5	16,8	14,0
PNC-P097B	PNC-P097G	Pg 09	07	15,2	11,0	34,0	8,5	25,0	14,0
PNC-P117B	PNC-P117G	Pg 11	07	18,6	11,0	34,0	8,5	25,0	14,0
PNC-P137B	PNC-P137G	Pg 13,5	07	20,4	11,0	34,0	8,5	25,0	14,0
PNC-P070B	PNC-P070G	Pg 07	10	12,5	13,0	43,5	8,0	25,0	19,7
PNC-P09B	PNC-P09G	Pg 09	10	15,2	13,0	43,5	10,0	25,0	19,7
PNC-P110B	PNC-P110G	Pg 11	10	18,6	13,0	43,5	12,0	25,0	19,7
PNC-P130B	PNC-P130G	Pg 13,5	10	20,4	13,0	43,5	12,0	25,0	19,7
PNC-P160B	PNC-P160G	Pg 16	10	22,5	13,0	43,5	12,0	25,0	19,7
PNC-P0912B	PNC-P0912G	Pg 09	12	15,2	13,0	43,1	12,0	27,6	22,8
PNC-P11B	PNC-P11G	Pg 11	12	18,6	13,0	43,1	12,0	27,6	22,8
PNC-P132B	PNC-P132G	Pg 13,5	12	20,4	13,0	43,1	15,0	27,6	22,8
PNC-P162B	PNC-P162G	Pg 16	12	22,5	13,0	43,1	15,0	27,6	22,8
PNC-P136B	PNC-P136G	Pg 13,5	16	20,4	13,0	45,0	15,2	33,0	28,0
PNC-P16B	PNC-P16G	Pg 16	16	22,5	13,0	45,0	15,2	33,0	28,0
PNC-P216B	PNC-P216G	Pg 21	16	28,3	13,0	45,0	17,5	33,0	28,0
PNC-P163B	PNC-P163G	Pg 16	22	22,5	13,0	54,7	18,0	43,0	37,5
PNC-P21B	PNC-P21G	Pg 21	22	28,3	15,0	54,7	22,0	43,0	37,5
PNC-P29B	PNC-P29G	Pg 29	28	37,0	15,0	62,4	30,5	48,8	43,0
PNC-P36B	PNC-P36G	Pg 36	36	47,0	19,0	76,6	36,0	60,6	52,2
PNC-P48B	PNC-P48G	Pg 48	48	59,3	21,0	81,4	50,0	71,8	64,0

NPT Thread (ANSI/ASME B1.20.1)

Black	Gray	Thread	Tube Size	S	L1	L	Øi	ØD	SW
PNC-N10B	PNC-N10G	NPT 1/2"	10	21,2	13,0	43,5	12,0	25,0	19,7
PNC-N12B	PNC-N12G	NPT 1/2"	12	21,2	13,0	43,1	15,0	27,6	22,8
PNC-N16B	PNC-N16G	NPT 1/2"	16	21,2	13,0	45,0	15,2	33,0	28,0
PNC-N22B	PNC-N22G	NPT 3/4"	22	26,5	15,0	54,7	22,0	43,0	37,5
PNC-N28B	PNC-N28G	NPT 1"	28	33,2	15,0	62,4	27,0	48,8	43,0