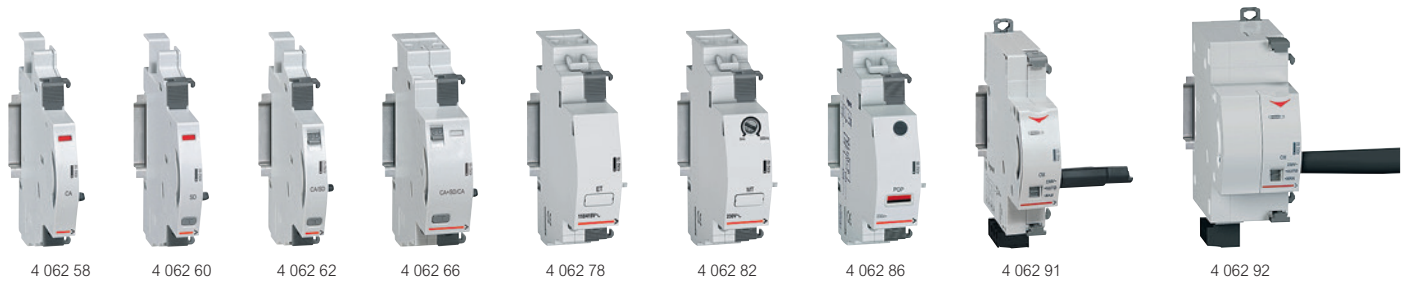
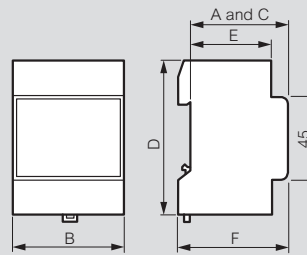
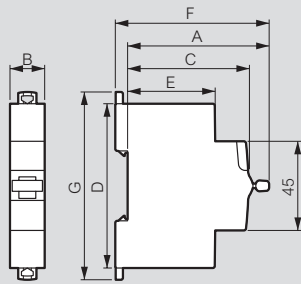


Signalling, remote tripping auxiliaries and motorised controls DX³



Pack	Cat.Nos	Signalling auxiliaries prong busbar adapted	Pack	Cat.Nos	Remote tripping auxiliaries								
1	4 062 58	<p>To fit on the left-hand side of DX³ and TX³ devices Maximum number of auxiliaries per device: - 3 signalling auxiliaries or - 2 signalling auxiliaries + 1 remote tripping auxiliary Allow insertion of the supply busbar, top side No tool required for joining together the auxiliary and the main device.</p> <p>Auxiliary contact 6 A - 250 V~ (changeover switch) For MCBs, RCBOs, RCCBs, isolating switches or remote trip isolating switches Indicates the position of the contacts of its associated device.</p>	0.5	1	4 062 76	<p>To fit on the left-hand side of DX³ and TX³ devices Maximum 1 remote tripping auxiliary per device Allow insertion of the supply busbar No tool required for joining together the auxiliary and the main device. For MCBs, RCBOs, RCCBs and remote trip isolating switches</p> <p>Current shunt trips For remote tripping of its associated device via a N/O push button</p>	1						
1	4 062 60	<p>Fault signalling contact 6 A - 250 V~ (changeover switch) For MCBs, RCBOs, RCCBs, Indicates the fault tripping of its associated device</p>	0.5	1	4 062 78	<p>12 to 48 V~/=</p> <p>Undervoltage releases For remote tripping of its associated device in case of mains voltage drop down or with the help of a N/C push button</p>	1						
1	4 062 62	<p>Auxiliary or fault signalling contact 6 A - 250 V~ (changeover switch) For MCBs, RCBOs, RCCBs Allows the choice between the two functions</p>	0.5	1	4 062 80	<p>24 to 48 V~/=</p>	1						
1	4 062 66	<p>Auxiliary + fault signalling contact or auxiliary contact + auxiliary contact 6 A - 250 V~ (changeover switch) For MCBs, RCBOs, RCCBs</p>	1	1	4 062 82	<p>230 V~</p>	1						
		<p>Signalling auxiliaries fork busbar adapted To fit on the left-hand side of DX³ and TX³ devices Maximum number of auxiliaries per device: - 3 signalling auxiliaries or - 2 signalling auxiliaries + 1 remote tripping auxiliary Allow insertion of supply busbar, bottom side No tool required for joining together the auxiliary and the main device.</p>				<p>Power overvoltage protection (POP) Protects the circuit by tripping its associated device in case of overvoltage between phase and neutral. Tripping threshold : 275 V (eg. in case of neutral failure)</p>							
1	4 062 50	<p>Auxiliary contact 6 A - 250 V~(changeover switch) For MCBs, RCBOs, RCCBs, isolating switch or remote trip isolating switch Indicates the position of the contacts of its associated device</p>	0.5	1	4 062 86	<p>Autonomous shunt trip for N/C push-button 230 V~ For remote tripping with positive security on a control circuit via a N/C push-button or emergency stop. Does not trigger its associated device in case of mains power failure (the trigger occurs only after a deliberate action of a N/C push-button). Supplied with battery Minimum working reserve : 60 hours (for remote tripping even if there is no supply voltage)</p>	1.5						
1	4 062 52	<p>Fault signalling contact 6 A - 250 V~ (changeover switch) For MCBs, RCBOs, RCCBs, Indicates the fault tripping of its associated device</p>	0.5	1	4 062 87	<p>Spare battery for autonomous shunt trip Cat.No 4 062 87</p>							
1	4 062 56	<p>Auxiliary or fault signalling contact 6 A - 250 V~ (changeover switch) For MCBs, RCBOs, RCCBs Allows the choice between the two functions</p>	0.5			<p>Motorised controls For remote control (opening and closing) of their associated device. To fit on the left-hand side of DX³ and TX³ devices For MCBs, RCBOs, RCCBs and remote trip isolating switches (from 1P to 4P) Can take one control auxiliary and one signalling auxiliary. No tool required for joining together the motorised control and the main device</p>							
1	4 062 59	<p>Auxiliary + fault signalling contact or auxiliary contact + auxiliary contact 6 A - 250 V~ (changeover switch) For DX³-ID RCCBs B type Cat.No 4 118 42/43/44/45/46/47/48/49 (p. 51) Allows the choice between the two functions</p>	0.5	1	4 062 90	<p>ON/OFF function - for 1 module / pole devices (In up to 63 A)</p> <table border="1"> <tr> <td>Control voltage</td> <td>Number of modules</td> </tr> <tr> <td>24-48 V~/=</td> <td>1</td> </tr> <tr> <td>230 V~</td> <td>1</td> </tr> </table>	Control voltage	Number of modules	24-48 V~/=	1	230 V~	1	
Control voltage	Number of modules												
24-48 V~/=	1												
230 V~	1												
1	4 062 64	<p>Auxiliary + fault signalling contact or auxiliary contact + auxiliary contact 6 A - 250 V~ (changeover switch) For MCB, RCBOs, RCCBs</p>	1	1	4 062 91	<p>ON/OFF function - for 1.5 module / pole devices (In up to 125 A) from 2P to 4P</p> <table border="1"> <tr> <td>230 V~</td> <td>2</td> </tr> </table>	230 V~	2					
230 V~	2												
1	4 062 93		1	4 062 92	<p>ON/OFF + automatic resetting function - for 1 module / pole devices (In up to 63 A) Automatically resets the device to which it is associated, thus ensuring continuity of service</p> <table border="1"> <tr> <td>24-48 V~/=</td> <td>2</td> </tr> <tr> <td>230 V~</td> <td>2</td> </tr> </table>	24-48 V~/=	2	230 V~	2				
24-48 V~/=	2												
230 V~	2												
1	4 062 95		1	4 062 92	<p>230 V~</p>								

Dimensions of din-rail equipment



Product	A		B				C	D	E	F	G
	1P	1P+ N	2P	3P	4P						
RX³ MCBs	71.7	17.7	35.4	35.4	53.1	70.8	61	83	44	77.8	88.9
RX³ RCCBs	71.7			35.6		71.2	61	83	44	77.8	88.9
TX³ MCBs	71.7	17.7	35.4	35.4	53.1	70.8	61	83	44	77.8	88.9
TX³ RCCBs	71.7			35.6		71.2	61	83	44	77.8	88.9
Isolating switches DX³	71.7	17.8		17.8/ 35.4	35.6/ 53.1	70.8	61	83	44	77.8	94.8
Remote trip head isolating switches DX³ up to 63A - 1 mod/pole	71.7			35.4	53.1	70.8	61	83	44	77.9	94.8
Remote trip head isolating switches DX³ 100/125A - 1.5 mod/pole	73				80.1	106.8	61	96	47	79	104.3
DX³ RCCBs	71.7			35.6		71.2	61	83	44	77.8	94.8
1P DX³ RCBOs (up to 45A)	68	17.7					60	115	48	74	126.8
1P+N DX³ RCBOs (up to 40A) & 4P (up to 32A)	71.7		35.6			71.2	61	83	44	77.8	94.8
2P & 4P DX³ RCBOs (40A to 63A)	72			71.2		124.6	61	96	44	78.2	107.8
1P+N DX³ MCBs 1 mod	71.7		17.8				61	83	44	77.8	94.8
DX³ MCBs - 1 mod/pole	71.7	17.7	35.4	35.4	53.1	70.8	61	83	44	77.8	94.8
DX³ MCBs - 1,5 mod/pole	73.1	26.7		53.4	80.1	106.8	61	100	47	79	104.3
DX³ add-on modules up to 63A - 1 mod/pole	72			35.6	53.4	53.4	61	96	44	78.2	107.8
DX³ add-on modules up to 63A - 1.5 mod/pole	72			35.6	53.4	53.4	61	96	47	78.2	116.7
DX³ add-on modules 80 to 125A - 1.5 mod/pole	72			71.2	106.8	106.8	61	114	47	78.2	129
DX³ auxiliaries	71.5			8.8 / 17.7			61	83	44	77.7	84.5
DX³ remote control	74.3			17.7 / 35.4			61	83	44	80.5	98.8
DX³ Stop&Go automatic resetting	74.3			35.4			61	83	44	80.5	113.7
Change-over switches	68	17.7		35.6			60	83	44	74	94
CX³ latching relays	64	17.8		17.8	35.6	35.6	61	84.5	44	70.2	94.8
CX³ contactors up to 25A	66.3/ 61	17.8		17.8	35.6	35.6	61	84.5	44	72.6/ 67.3	94.8
CX³ contactors 40A & 63A	62			35.6	53.4	53.4	60	83	44	68	94
Auxiliaries for CX³ contactors and latching relays	61			9/17.8			61	84.5	44	67	84.5
Push-buttons / control switches	68			17.7			60	83	44	74	94
Indicators	68			17.7			60	83	44	69	94
Bells and buzzers	60			17.7			60	76	44	66	85
Light sensitive switches											
Cat.Nos 0 037 21, 4 126 23	60			35.6			60	85	37.5	66	70
Socket outlets	60			44.5			60	83	44	66	92
Time delay relays	60			17.7			60	83	44	66	94
Remote control dimmers											
Cat.No 0 036 58	60			36			60	83	44	66	94
Cat.No 0 036 60	60			72			60	83	44	66	94
Cat.No 0 036 71	60			108			60	83	44	66	94

Description	A	B	C	D	E	F
Programmable time switches						
0 037 05	60	17.8	60	83	44	66
4 127 80/90/94	60	17.8	60	83	44	66
4 127 95, 4 128 12/13	60	53	60	83	44	66
4 126 31/33/41	60	35.6	60	83	44	66
4 126 54/57	60	35.6	60	83	44	66
0 047 70	60	90	60	83	44	66
Transformers and power supplies						
0 042 10/30/31	60	72	60	83	44	66
4 130 91	60	35.8	60	83.5	44	66
4 130 92/93/96	60	71.5	60	83.5	44	66
4 130 98	60	89	60	94	44	66
0 047 91/92	60	105	60	95	44	66
4 131 05/06/07/08	60	89	60	95	44	66
0 047 93	60	70	60	95	44	66
Residual current relay						
0 260 88	60	35.5	60	89	44	66

DX³ Shunt trip (ET)

Cat N°(s): 4 062 76, 78

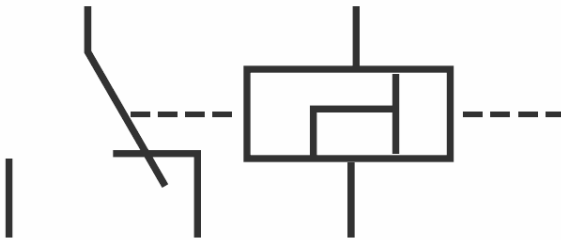


CONTENTS	PAGE
1. Description - Use.....	1
2. Range	1
3. Overall dimensions.....	1
4. Preparation - Connection.....	1
5. General Characteristics	3
6. Compliance and approvals	4

1. DESCRIPTION - USE

- . Shunt release (ET): allows the remote tripping of the associated device and the remand of the signalling of the tripping by an integrated contact.
- . This device is equipped with a self-tripping contact

Symbol:

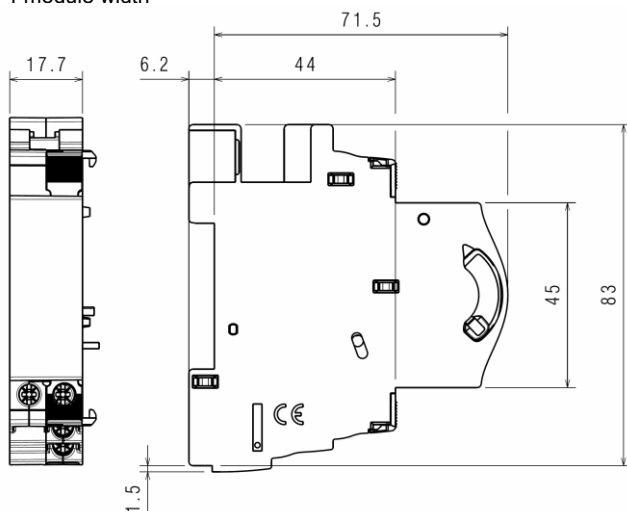


2. RANGE

- . Cat. n° 4 062 76: from 12 to 48 V~/= (a.c. / d.c.).
- . Cat. n° 4 062 78: from 110 to 415 V~ (a.c.) and from 110V to 125 V~ = (d.c.).

3. OVERALL DIMENSIONS

- . 1 module width



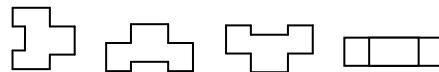
4. PREPARATION -CONNECTION

Fixing:

- . On symmetric EN/IEC 60715 or DIN 35 rail, by the device which is associated.

Operating positions:

- . Vertical Horizontal Upside down On the side



Power Supply:

- . Only from the bottom.

Terminals:

- . Terminal depth: 8 mm.
- . Stripping length: 8 mm

Screw head:

- . Mixed, slotted and Pozidriv n°1 (UNI7596 type Z1).

Recommended tightening torque:

- . 1 Nm.

Recommended tools:

- . For the terminals: Pozidriv n°1 or flat screwdriver 4 mm.

Conductor type:

	Copper cable	
	Without ferrule	With ferrule
Rigid Cable	1 x 0,5 mm ² to 1,5 mm ² 2 x 1,5 mm ²	-
Flexible Cable	1 x 0,5 mm ² to 1,5 mm ² 2 x 1,5 mm ²	1 x 0,5 mm ² to 1,5 mm ² 2 x 1,5 mm ²

Display of shunt release state:

- . By mechanical indicator on front face:
 - Red: indicates the tripping of the device by the coil. The auxiliary contact of the shunt release is in OFF position.
 - Transparent: the shunt release is in ON position (armed position, ready for tripping). The auxiliary contact of the shunt release is in ON position.

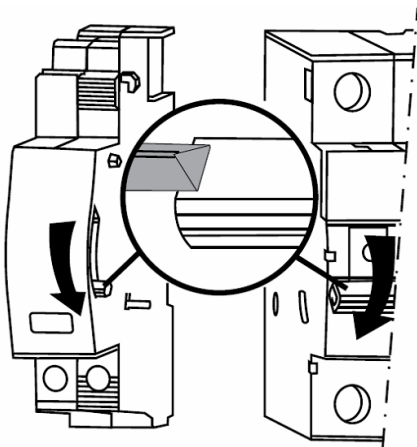
4. PREPARATION –CONNECTION (continued)

Manual actuation of the ET

. By the handle of the associated device, for reset the shunt release.

Assembling:

- . On the left side of Legrand MCB, IS, RCCBO, RCCB and isolating switches equipped or not with signalling auxiliaries
- . No tool required. Clipped by mean of plastic clamps on the associated device.
- . Assembling products in OFF position
- . The switching device of the shunt release must be positioned above of the handle of the associated device or the signalling auxiliary



List of allowed associations (General rules):

- Three auxiliaries maximum which:
 - two signalling auxiliaries (Cat. n°(s) 4 062 50, 52, 56, 58, 60, 62, 64, 66).
 - Only one control auxiliary (Cat. n°(s) 4 062 76, 78, 80, 82, 84).
- . If signalling and control auxiliaries are associated on the same circuit breaker, the command auxiliary must be placed to the left of the signal auxiliary (ref. 4 062 5x / 6x).
- . For devices 1,5 modules per pole width:
 - If a Remote tripping auxiliary is already mounted on this kind of device, current shunt trips (4 062 76/78) then only 1 module signalling auxiliaries can be added (auxiliary + fault signalling contact or auxiliary contact + auxiliary contact 4 062 64 / 66). In this set up the ½ module signalling auxiliaries will not operate.
 - Nothing changes for the other modular references.

List of allowed associations (Particular rules):

- . With an isolating switch DX-IS:
 - only one signalling auxiliary CA type (Cat. n°(s) 4 062 50, 58 64, 66).
- . With a remote trip head isolating switch DX-IS, three auxiliaries maximum which:
 - one or two signalling auxiliaries CA type (Cat. n°(s) 4 062 50, 58 64, 66).
 - one control auxiliary cat n°(s) 4 062 7x / 8x.
- . With a MCB, IS, RCBO, RCCB three auxiliaries maximum which:
 - one or two signalling auxiliaries, CA or SD type (Cat. n°(s) 4 062 50, 52, 56, 58, 60, 62, 64, 66).
 - one control auxiliary Cat. n°(s) 4 062 7x / 8x.

4. PREPARATION –CONNECTION (continued)

Combination tables of the auxiliaries:

. For devices 1 module per pole width:

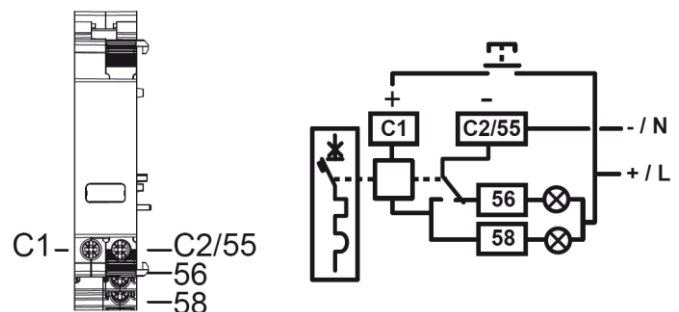
		4 062 .. 50 / 52 / 56 / 58 / 60 / 62 / 66 / 76 / 78 / 80 / 82 / 84 / 86 / 87	
	4 062 .. 50 / 52 / 56 / 58 / 60 / 62 / 76 / 78 / 80 / 82 / 84 / 86 / 87	4 062 .. 50 / 52 / 56 / 58 / 60 / 62	
	4 062 .. 50 / 52 / 56 / 58 / 60 / 62 / 64 / 66 / 76 / 78 / 80 / 82 / 84 / 86 / 87	4 062 .. 64 / 66	
4 062 .. 76 / 78 / 80 / 82 / 84 / 86 / 87	4 062 .. 50 / 52 / 56 / 58 / 60 / 62	4 062 .. 50 / 52 / 56 / 58 / 60 / 62	
	4 062 .. 50 / 52 / 56 / 58 / 60 / 62 / 64 / 66	4 062 .. 64 / 66	

. For devices 1,5 modules per pole width:

		4 062 .. 50 / 52 / 56 / 58 / 60 / 62 / 66 / 76 / 78 / 80 / 82 / 84 / 86 / 87	
	4 062 .. 50 / 52 / 56 / 58 / 60 / 62	4 062 .. 50 / 52 / 56 / 58 / 60 / 62	
	4 062 .. 50 / 52 / 56 / 58 / 60 / 62 / 64 / 66 / 76 / 78 / 80 / 82 / 84 / 86 / 87	4 062 .. 64 / 66	
4 062 .. 76 / 78 / 80 / 82 / 84 / 86 / 87	4 062 .. 64 / 66	4 062 .. 64 / 66	

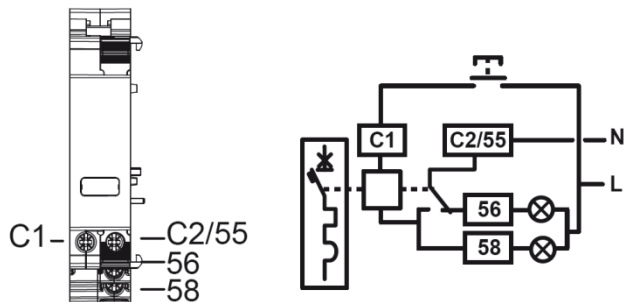
Wiring diagrams:

. Cat n 4 062 76.



4. PREPARATION –CONNECTION (continued)**Wiring diagrams:** (continued)

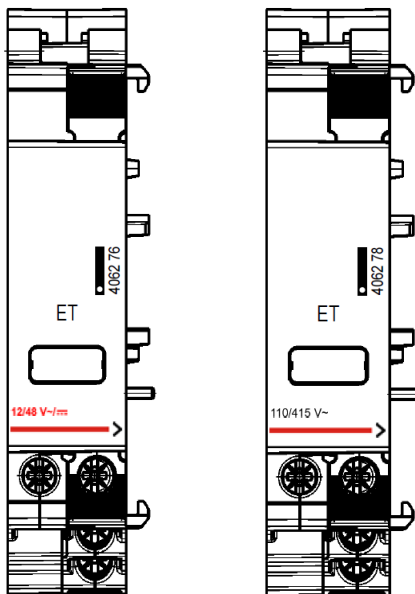
. Cat n 4 062 78


**5. GENERAL CHARACTERISTICS****Front face marking:**

. By permanent ink pad printing:

cat n° 4 062 76

cat n° 4 062 78



- Function name :
ET = voltage emission
- Operating voltage range
- Legrand reference code and Logo 

Operating voltage range (Un) :

. Cat. n° 4 062 76 :

from 24 to 48 V ~/= (a.c. / d.c.).

. Cat. n° 4 062 78 :

from 110 to 415 V~ (a.c.)

and from 110 to 125 V = (d.c.).

Operating range (in % of Un) :

. 70 to 115% uf Un.

5. GENERAL CHARACTERISTICS (continued)**Tripping time:**

. ≤ 20 ms.

Power absorbed:

. Cat. n° 4 062 76 :

- 12 V d.c. = 5,16 W.

- 12 V a.c. = 6,12 VA.

- 48 V d.c. = 56,45 W.

- 48 V a.c. = 94,56 VA.

. Cat n° 4 062 78 :

- 110 V d.c. = 6,16 W.

- 110 V a.c. = 7,97 VA.

- 125 V d.c. = 7,62 W.

- 415 V a.c. = 120,76 VA.

Coil impedance:

. Cat. n° 406 276 : Z = 23 Ω.

. Cat. n° 406 278 : Z = 1640 Ω.

Thermal current:. I_{the} = 6A.**Rated impulse withstand voltage:**. U_{imp} = 5kV.**Insulation voltage:**. U_i = 500 V**Dielectric strength:**

. 2500 V.

Tripping force:

. 3 Nm.

Mechanical endurance:

. 3,000 electrical tripping.

. These devices support the mechanical cycles of the associated devices

Ambient temperatures:

. Operation: from - 25 °C to + 70 °C.

. Storage: from - 40 °C to + 70 °C.

Enclosure material:

. Polycarbonate charged 10% glass fiber.

. Characteristics of this material: self extinguishing, heat and fire resistant according to EN 60898-1, glow-wire test at 960°C for external parts made of insulating material necessary to retain in position current-carrying parts and parts of protective circuit (650°C for all other external parts made of insulating material).

5. GENERAL CHARACTERISTICS *(continued)***Degree of class protection:**

- . Protection index of terminals against solid and liquid bodies: IP20 (in accordance with standards IEC 529, EN 60529 and NF C 20-010).
- . Protection index of the box against solid and liquid bodies: IP40 (in accordance with standards IEC 529, EN 60529 and NF C 20-010).
- . Protection index against mechanical shocks: IK02 (in accordance with standards EN 50102 and NF C 20-015).

Sinusoidal vibration resistance in accordance with IEC 60068-2-6.

- . Axes : x, y, z.
- . Frequency range: 5÷100 Hz ; duration 90 minutes
- . Displacement (5÷13,2 Hz) : 1mm
- . Acceleration (13,2÷100 Hz) : 0,7g (g=9,81 m/s²)

Average weight per device:

- . 0,081 kg.

Volume when packed:

- . 0,21 dm³.

6. COMPLIANCE AND APPROVALS**In accordance with:**

- . Standards IEC/EN 23-105, EN 60439-1 (Low Voltage Directive 2006/95/EC), EN 60439-3 (Directive EMC 2004/108/EC).
- . CEE guidelines : 73/23/CEE + 93/68/CEE

Plastic materials :

- . Halogens-free plastic materials.
- . Marking of parts according to ISO 11469 and ISO 1043.

Packaging:

- . Design and manufacture of packaging in accordance with Decree 98-638 of 07.20.98 and Directive 94/62/EC

4 062 50/52/56

4 062 58/60/62

4 062 64

4 062 66

4 062 76/78

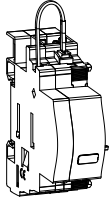
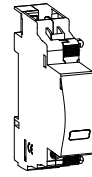
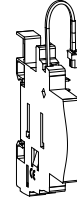
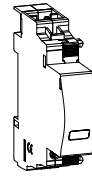
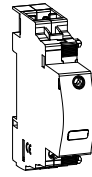
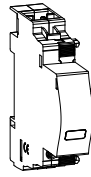
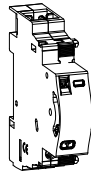
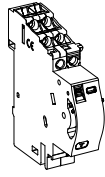
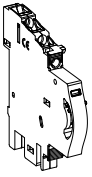
4 062 80/82

4 062 84

4 062 85

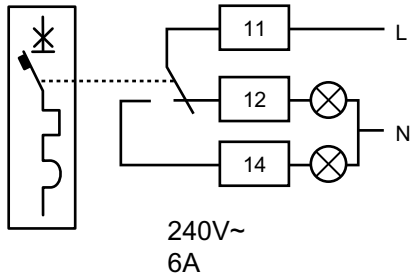
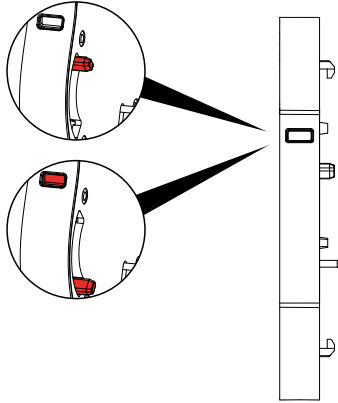
4 062 86

4 062 87



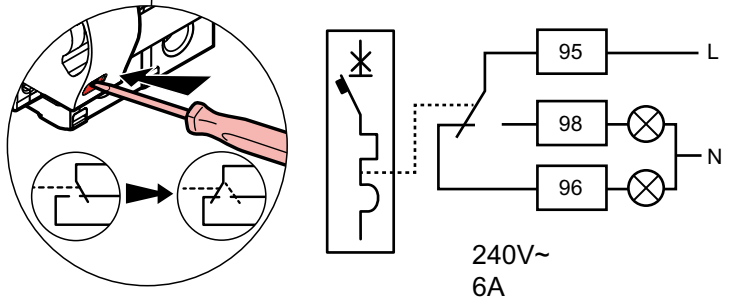
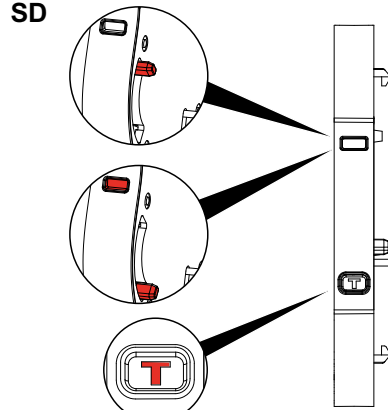
CA

4 062 50/58



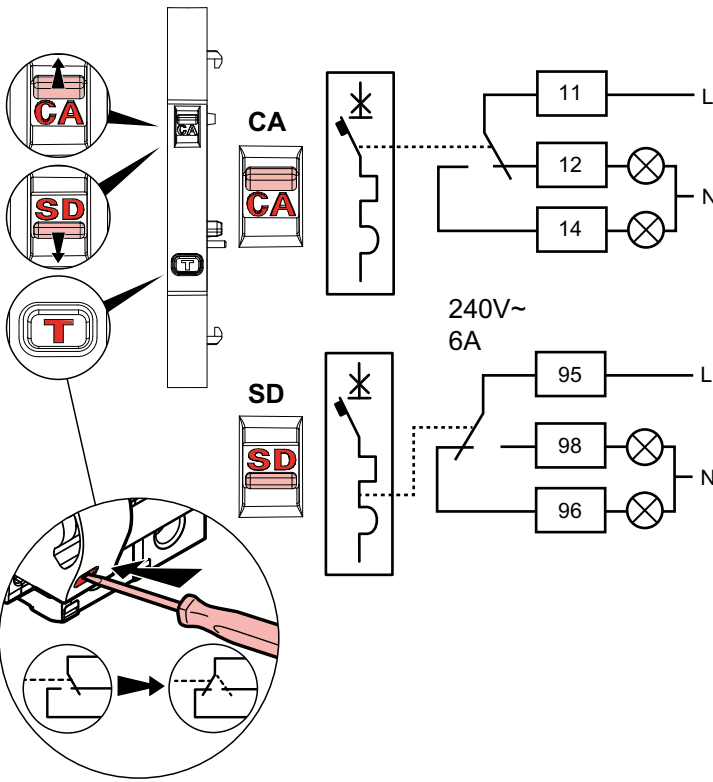
SD

4 062 52/60



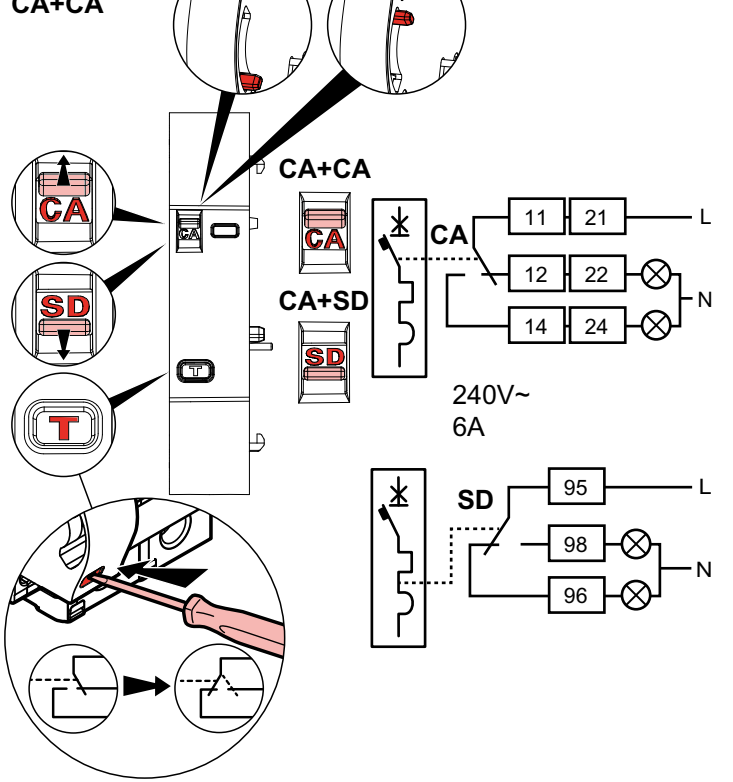
CA/SD

4 062 56/62



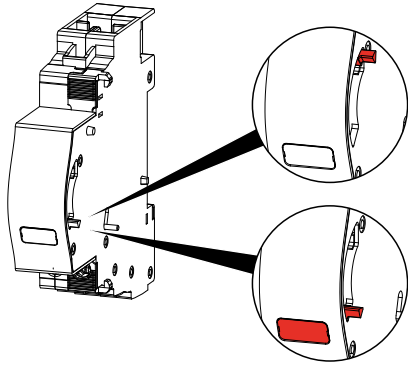
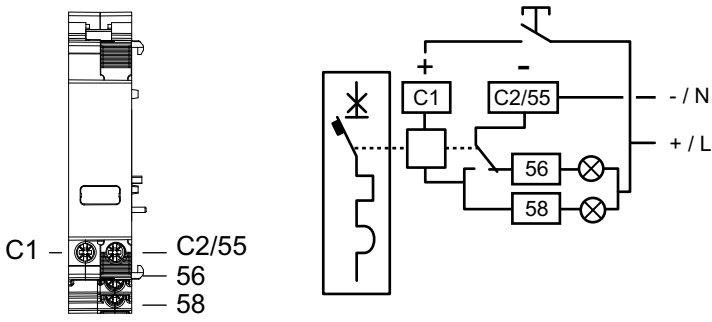
CA+SD
CA+CA

4 062 64/66



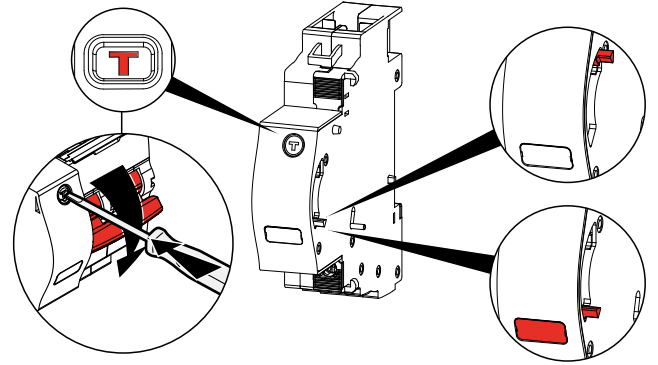
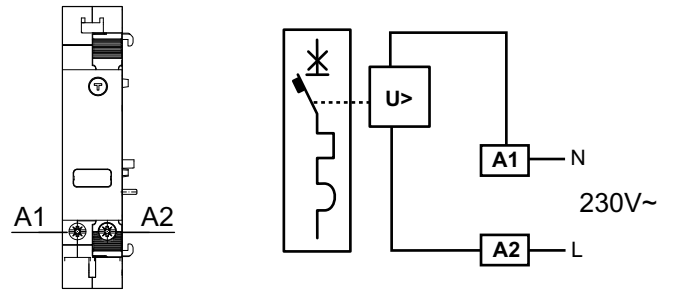
ET

4 062 76
4 062 78



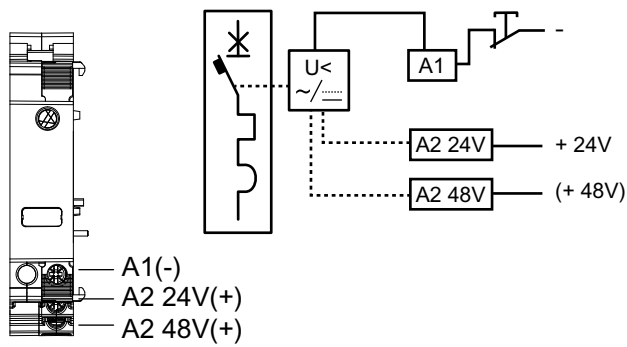
POP

4 062 86

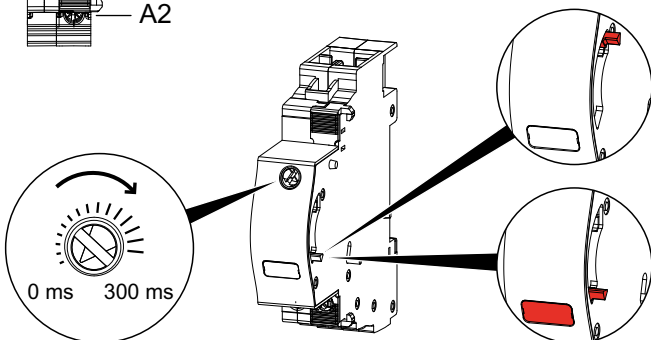
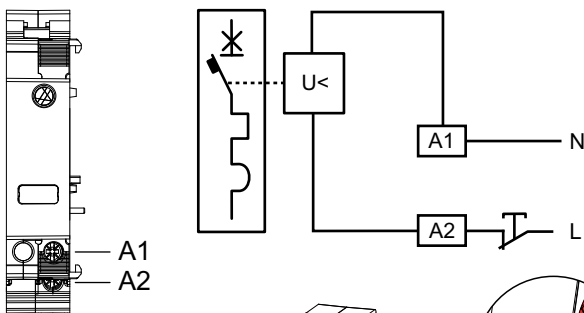


MT

4 062 80

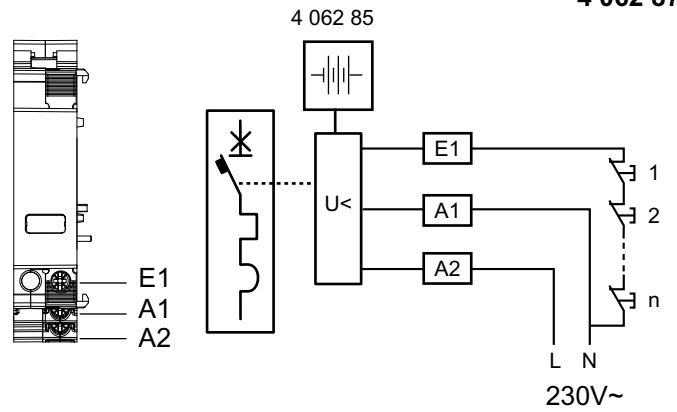


4 062 82

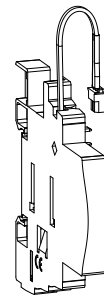


DA

4 062 84
4 062 85
4 062 87

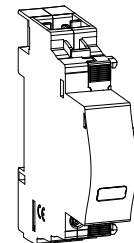


4 062 85

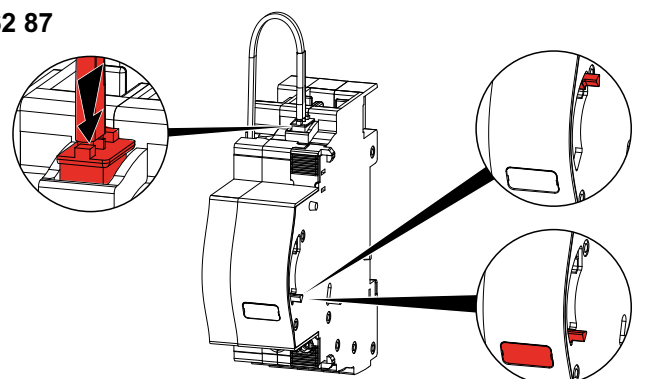


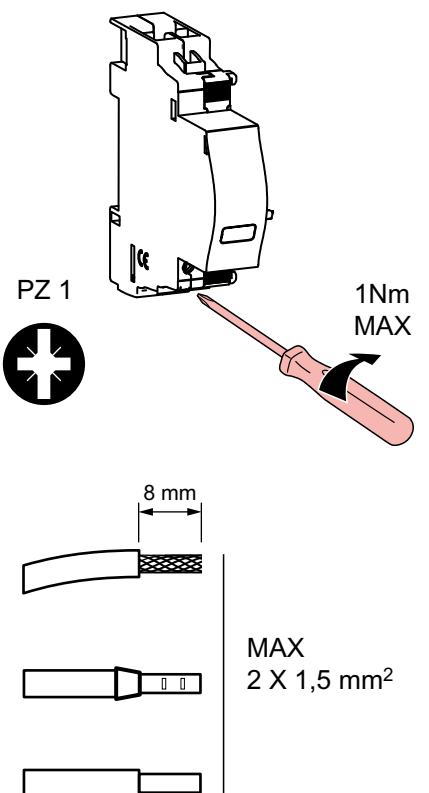
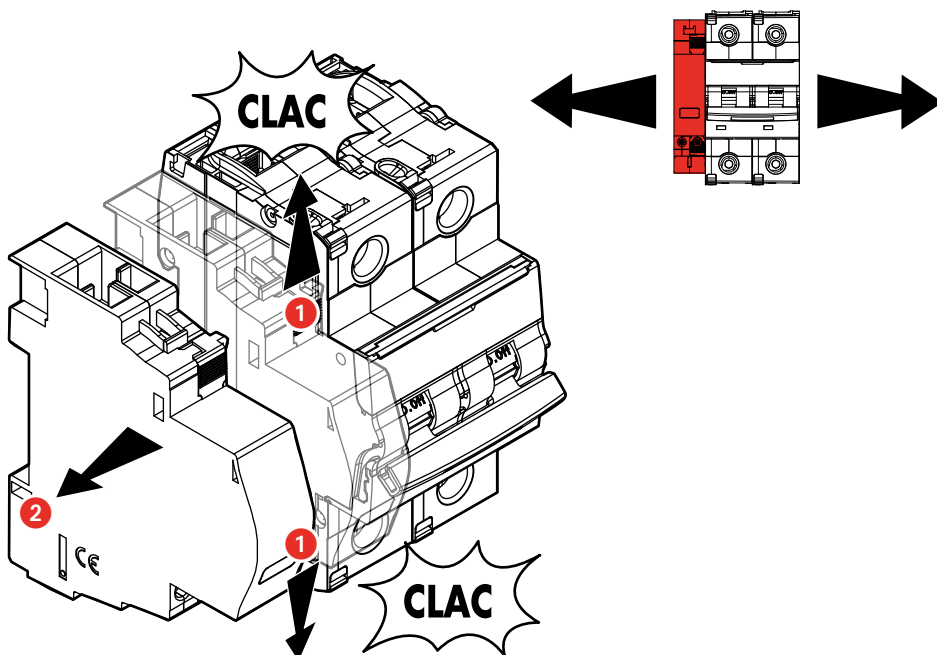
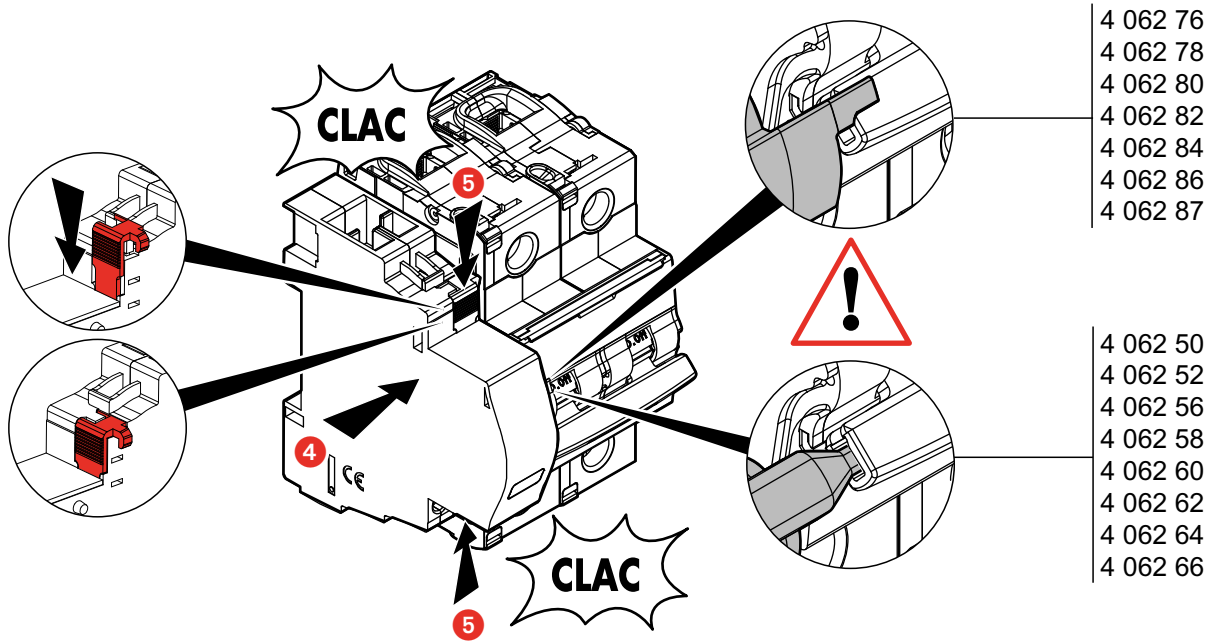
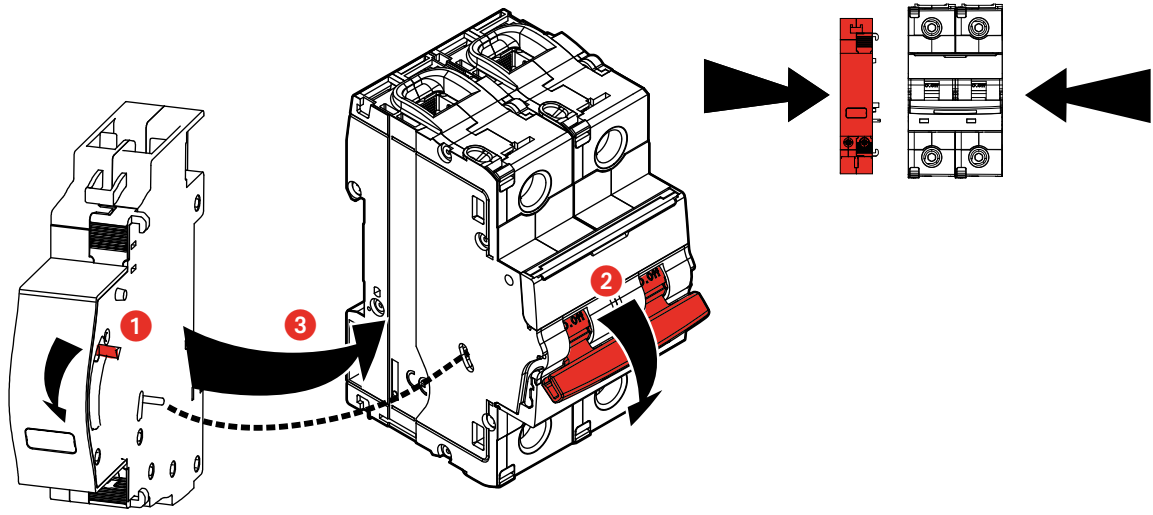
+

4 062 84



4 062 87





				4 062 .. 50 / 52 / 56 / 58 / 60 / 62 / 64 / 66 / 76 / 78 / 80 / 82 / 84 / 86 / 87 4 149 29
				4 062 .. 50 / 52 / 56 / 58 / 60 / 62 / 76 / 78 / 80 / 82 / 84 / 86 / 87 4 149 29
				4 062 .. 50 / 52 / 56 / 58 / 60 / 64 / 66 / 76 / 78 / 80 / 82 / 84 / 86 / 87 4 149 29
				4 062 .. 50 / 52 / 56 / 58 / 60 / 62 4 149 29
	4 062 .. 76 / 78 / 80 / 82 / 84 / 86 / 87			4 062 .. 50 / 52 / 56 / 58 / 60 / 62 / 64 / 66 4 149 29

				4 062 .. 50 / 52 / 56 / 58 / 60 / 62 / 64 / 66 / 76 / 78 / 80 / 82 / 84 / 86 / 87 4 149 29
				4 062 .. 50 / 52 / 56 / 58 / 60 / 62 4 149 29
				4 062 .. 50 / 52 / 56 / 58 / 60 / 62 / 64 / 66 / 76 / 78 / 80 / 82 / 84 / 86 / 87 4 149 29
				4 062 .. 50 / 52 / 56 / 58 / 60 / 62 / 64 / 66 4 149 29
	4 062 .. 76 / 78 / 80 / 82 / 84 / 86 / 87			4 062 .. 64 / 66

<p>Ne pas respecter strictement les conditions d'installation et d'utilisation peut entraîner des risques de choc électrique ou d'incendie.</p> <p>Door de installatie- en gebruiksvoorwaarden niet strikt na te leven, kan er gevaar voor elektrische schokken of brand ontstaan.</p> <p>The instructions for installation and use must be strictly observed in order to avoid the risk of electric shock or fire.</p> <p>Bei Nichtbeachtung der Einbau- und Nutzungsvorschriften besteht Stromschlag- bzw. Brandgefahr.</p> <p>El no cumplimiento estricto de las instrucciones de instalación y uso puede implicar riesgos de choque eléctrico o incendio.</p> <p>Il non rispetto alla lettera delle condizioni d'installazione e di utilizzo può generare rischi di scariche elettriche o di incendio.</p> <p>Não respeitar estritamente as condições de instalação e de utilização poderá provocar riscos de choque eléctrico ou de incêndio.</p> <p>Η μη αυστηρή τήρηση των συνθηκών εγκατάστασης και χρήσης μπορεί να επιφέρει κινδύνους ηλεκτροπληξίας ή πυρκαγιάς.</p> <p>Несоблюдение правил монтажа и эксплуатации может повлечь за собой риск поражения электрическим током или возникновения пожара.</p> <p>Niezastosowanie się ściśle do warunków instalacji i użytkowania może grozić porażeniem prądem lub pożarem.</p> <p>Yerleşirme ve kullanım koşullarına uyulmaması elektrik çarpması veya yangın risklerine yol açabilir.</p> <p>A beszerelési és használati feltételek szigorú betartásának elmulasztása áramütés vagy tűz kockázatával jár.</p> <p>Jos et noudata tarkasti asennus- ja käyttöohjeita, voit aiheuttaa sähköiskun vaaran tai tulipalon.</p>	<p>FR LU BE CH</p> <p>NL BE</p> <p>GB IE</p> <p>DE AT LI CH</p> <p>ES</p> <p>IT CH</p> <p>PT</p> <p>GR CY</p> <p>RU</p> <p>PL</p> <p>TR CY</p> <p>HU</p> <p>FI</p>	<p>Om installationsvilkoren inte uppfylls strikt, föreligger risk för elchocker eller brand.</p> <p>Nedodržení stanovených podmínek instalace a používání může vést k rizikům zasažení elektrickým proudem nebo požáru.</p> <p>V prípade nedodržania presných podmienok týkajúcich sa inštalácie a používania hrozí riziko úrazu elektrickým prúdom alebo vzniku požiaru.</p> <p>Neupoštjevanje vseh pogojev instalacije in uporabe lahko povzroči nevarnost električnega udara ali požara.</p> <p>Hvis installations- og brugsbetingelserne ikke strengt overholdes, kan det medføre risiko for elektrisk stød eller brand.</p> <p>Kui paigaldamis- ja kasutustingimusi ei järgita rangelt, võib see kaasa tuua elektrišoki või tulekahjuohtu.</p> <p>Precizni neievērojot uzstādīšanas un lietošanas noteikumus, pieaug elektriskās strāvas trieciena vai ugunsgrēka iespējamība.</p> <p>Tiksliai nesilaikant instalavimo ir naudojimo sąlygų gali kilti trumpojo elektros jungimo arba gaisro pavojus.</p> <p>Manglene overhold av installasjons- og brugsbetingelsene kan føre til elektrisk støt eller brann.</p> <p>Ef skilyrdum um uppsetningu og notkun er ekki vandlega fylgt kann slíkt að valda hættu á raflosti eða eldsvoða.</p> <p>Nerespectarea strictă a condițiilor de instalare și utilizare poate genera riscuri de șocuri electrice sau incendii.</p> <p>Неслазването стриктно на указанията за сглобяване и използване може да доведе до риск от токов удар или пожар.</p>	<p>SE</p> <p>CZ</p> <p>SK</p> <p>SI</p> <p>DK</p> <p>EE</p> <p>LV</p> <p>LT</p> <p>NO</p> <p>IS</p> <p>RO</p> <p>BG</p>