

DX³ auxiliaries

Auxiliaries common for MCBs, Isolators, RCCBs & RCBOs



4062 50

4062 52

4062 78

4062 82

Technical characteristics **p. 52**

Easy & fast fixation on site
On site clip on mounting
Clip on fitting on left side

Pack	Cat.Nos	Signalling auxiliaries	Number of modules
1	4062 50	Auxiliary changeover switch 6 A	0.5
1	4062 52	Fault signalling changeover switch 6 A	0.5
1	4062 64	Changeover + fault signalling switch	1
Control auxiliaries			
1	4062 76	Shunt release 12 /48 V AC/DC	1
1	4062 78	Shunt release 110/415 V AC	1
1	4062 80	Undervoltage release 24/48 V AC/DC	1
1	4062 82	Undervoltage release 230 V AC	1
1	4062 86	Pop over voltage release	1
1	4062 90	Motor control 24/48 V AC/DC	1
1	4062 91	Motor control 230 V AC	1
1	4062 93	Motor control auto reset 24/48 V AC/DC	2
1	4062 95	Motor control auto reset 230 V AC	2
1	4062 88	Automatic resetter	2
1	4062 89	Automatic resetter with autotest	2
Rotary handle			
10	4063 19	Black rotary handle	-
10	4063 20	Yellow/red rotary handle	-
Support for padlock			
10	4063 03	Support for padlock till 63 A	-
Sealable screw cover			
10	4063 04	Devices upto 63 A	-
10	4063 06	For 80-125 A devices	-
1/2 module spacing unit			
10	4063 07	1/2 module spacing unit	0.5
5mm padlock			
10	4063 13	1/2 module spacing unit	-

DX³ auxiliaries

Manual changover switch



Compact design
Manual switching operation
Easy to assemble
Ergonomic design

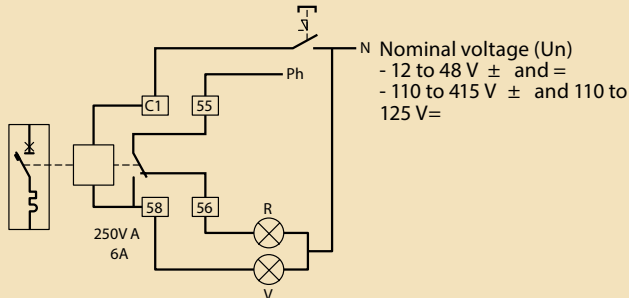
Pack	Cat.Nos	For 1 mod/pole MCBs and ISs	Number of modules
5	4063 14	Manual change-over switch for DP	2
5	4063 15	Manual change-over switch for TP	3
5	4063 16	Manual change-over switch for FP	3

performance of MCBs and auxiliaries

■ Technical characteristics of auxiliaries

Max. connection cross-section: 2.5 mm²
 Operating temperature: - 25 °C to + 70 °C

Shunt trips



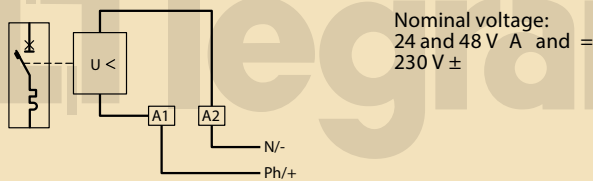
Equipped with a signalling contact which indicates tripping of the shunt trip and automatically breaks the coil.

Min. and max. voltage: 0.7 to 1.1 Un
 Tripping time: less than 20 ms
 Power consumption: at 1.1 x 48 V = 121 VA
 at 1.1 x 415 V = 127 VA
 Impedance: 12 to 48 V = 23 Ω
 110 to 415 V = 1640 Ω

Consumption	Umin.	Umax.
12 to 48 V	522 mA	2610 mA
110 to 415 V	69 mA	259 mA

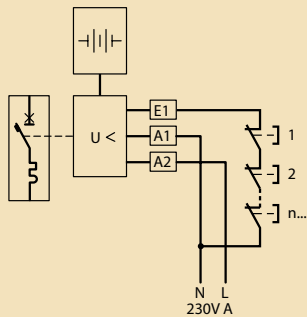
Undervoltage releases

Pull-in voltage ≥ 0.55 Un
 Tripping time: 0 to 300 ms ± 10% (adjustable)
 Power consumption: 24 VA and = : 0.1 VA
 48 VA and = : 0.2 VA
 230 V ± : 1 VA



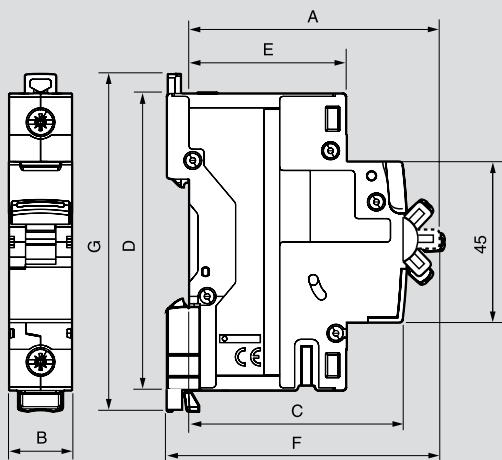
Stand-alone releases for N/C push-buttons

Min. and max. operating voltage: 196 to 250 V ±
 Power consumption: 1.4 VA



Signalling auxiliaries

Umin.: 24 V ± / = and Imin.: 5 mA

Dimensions


Products	A	B						C	D	E	F	G
		SP	SPN	DP	TP	TPN	FP					
DX ³ MCBs (0.5 to 63A)	70	17.7	35.6	35.6	53.4	71.2	71.2	60	83	44	76	94
DX ³ MCBs (80 - 125A)	70	26.7	-	53.4	80.1	-	106.8	60	83	44	76	89
DX ³ Isolators	70	-	-	35.6	53.4	-	71.2	60	83	44	76	94
DX ³ RCCB - type AC (DP)	70	-	-	35.6	-	-	-	60	83	44	76	94
DX ³ RCCB - type AC (FP)	71.5	-	-	-	-	-	71.2	60	83	44	77.5	94
DX ³ RCCB - type A - S (DP)	70	-	-	35.6	-	-	-	60	83	44	76	94
DX ³ RCCB - type A - S (FP)	71.5	-	-	-	-	-	71.2	60	83	44	77.5	94
DX ³ RCCB - type Hpi (DP)	70	-	-	35.6	-	-	-	60	83	44	76	94
DX ³ RCCB - type Hpi (FP)	71.5	-	-	-	-	-	71.2	60	83	44	77.5	94
DX ³ RCBO - type AC	70	-	-	71.2	-	-	142.4	60	83	44	76	94
DX ³ RCBO - type AC (DP 2 mod.)	70	-	-	35.6	-	-	-	60	83	44	76	94
DX ³ RCBO - type Hpi (DP 2 mod.)	70	-	-	35.6	-	-	-	60	83	44	76	94
Auxiliary contacts	70				8.7			60	83	44	76	83
Auxiliary contacts	70				17.7			60	83	44	76	83
Shunt trip	70				17.7			60	83	44	76	83
Minimum voltage trip	70				17.7			60	83	44	76	83
POP over voltage	74				54			74	83	44	80.5	89
Remote control for MCB / RCBO	74				54			74	83	44	80.5	89
Lexic contactors 20 A	62				17.8			60	83	44	67.5	-
Lexic contactors 40 A (2 mod.)	60				35.6			61	80	44	67	-
Lexic contactors 40 A / 63 A (3 mod.)	60				54			61	80	44	67	-