

DX³ auxiliaries

Auxiliaries common for MCBs, Isolators, RCCBs & RCBOs



4062 50

4062 52

4062 78

4062 82

Technical characteristics **p. 52**

Easy & fast fixation on site
On site clip on mounting
Clip on fitting on left side

| Pack | Cat.Nos | Signalling auxiliaries | Number of modules |
|--------------------------------|----------------|---|-------------------|
| 1 | 4062 50 | Auxiliary changeover switch 6 A | 0.5 |
| 1 | 4062 52 | Fault signalling changeover switch 6 A | 0.5 |
| 1 | 4062 64 | Changeover + fault signalling switch | 1 |
| Control auxiliaries | | | |
| 1 | 4062 76 | Shunt release 12 /48 V AC/DC | 1 |
| 1 | 4062 78 | Shunt release 110/415 V AC | 1 |
| 1 | 4062 80 | Undervoltage release 24/48 V AC/DC | 1 |
| 1 | 4062 82 | Undervoltage release 230 V AC | 1 |
| 1 | 4062 86 | Pop over voltage release | 1 |
| 1 | 4062 90 | Motor control 24/48 V AC/DC | 1 |
| 1 | 4062 91 | Motor control 230 V AC | 1 |
| 1 | 4062 93 | Motor control auto reset 24/48 V AC/DC | 2 |
| 1 | 4062 95 | Motor control auto reset 230 V AC | 2 |
| 1 | 4062 88 | Automatic resetter | 2 |
| 1 | 4062 89 | Automatic resetter with autotest | 2 |
| Rotary handle | | | |
| 10 | 4063 19 | Black rotary handle | - |
| 10 | 4063 20 | Yellow/red rotary handle | - |
| Support for padlock | | | |
| 10 | 4063 03 | Support for padlock till 63 A | - |
| Sealable screw cover | | | |
| 10 | 4063 04 | Devices upto 63 A | - |
| 10 | 4063 06 | For 80-125 A devices | - |
| 1/2 module spacing unit | | | |
| 10 | 4063 07 | 1/2 module spacing unit | 0.5 |
| 5mm padlock | | | |
| 10 | 4063 13 | 1/2 module spacing unit | - |

DX³ auxiliaries

Manual changover switch



Compact design
Manual switching operation
Easy to assemble
Ergonomic design

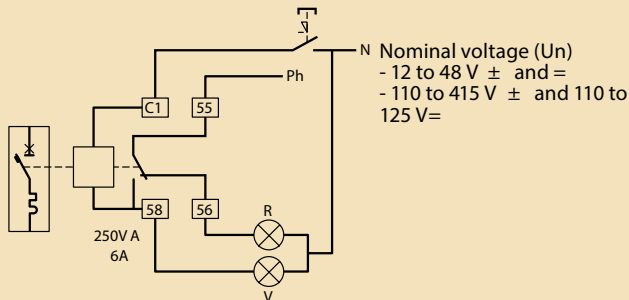
| Pack | Cat.Nos | For 1 mod/pole MCBs and ISs | Number of modules |
|------|----------------|----------------------------------|-------------------|
| 5 | 4063 14 | Manual change-over switch for DP | 2 |
| 5 | 4063 15 | Manual change-over switch for TP | 3 |
| 5 | 4063 16 | Manual change-over switch for FP | 3 |

performance of MCBs and auxiliaries

■ Technical characteristics of auxiliaries

Max. connection cross-section: 2.5 mm²
 Operating temperature: - 25 °C to + 70 °C

Shunt trips



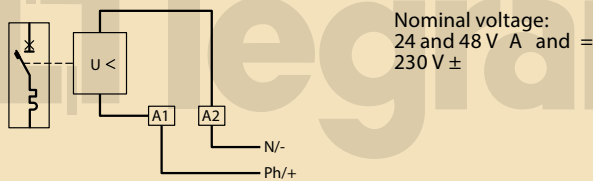
Equipped with a signalling contact which indicates tripping of the shunt trip and automatically breaks the coil.

Min. and max. voltage: 0.7 to 1.1 Un
 Tripping time: less than 20 ms
 Power consumption: at 1.1 x 48 V = 121 VA
 at 1.1 x 415 V = 127 VA
 Impedance: 12 to 48 V = 23 Ω
 110 to 415 V = 1640 Ω

| Consumption | Umin. | Umax. |
|--------------|--------|---------|
| 12 to 48 V | 522 mA | 2610 mA |
| 110 to 415 V | 69 mA | 259 mA |

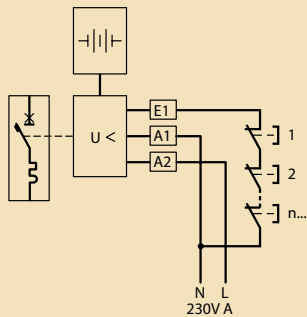
Undervoltage releases

Pull-in voltage ≥ 0.55 Un
 Tripping time: 0 to 300 ms ± 10% (adjustable)
 Power consumption: 24 VA and = : 0.1 VA
 48 VA and = : 0.2 VA
 230 V ± : 1 VA



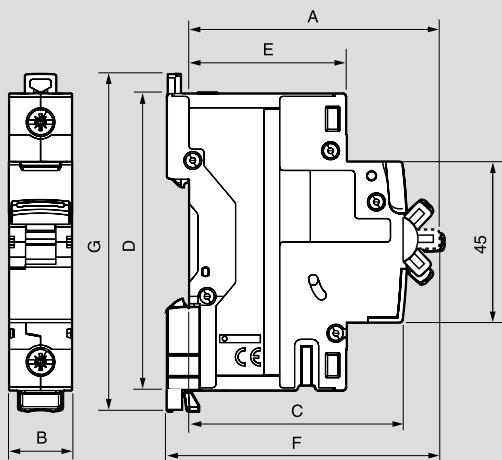
Stand-alone releases for N/C push-buttons

Min. and max. operating voltage: 196 to 250 V ±
 Power consumption: 1.4 VA



Signalling auxiliaries

Umin.: 24 V ± / = and Imin.: 5 mA

Dimensions


| Products | A | B | | | | | | C | D | E | F | G |
|---|------|------|------|------|------|------|-------|----|----|----|------|----|
| | | SP | SPN | DP | TP | TPN | FP | | | | | |
| DX ³ MCBs (0.5 to 63A) | 70 | 17.7 | 35.6 | 35.6 | 53.4 | 71.2 | 71.2 | 60 | 83 | 44 | 76 | 94 |
| DX ³ MCBs (80 - 125A) | 70 | 26.7 | - | 53.4 | 80.1 | - | 106.8 | 60 | 83 | 44 | 76 | 89 |
| DX ³ Isolators | 70 | - | - | 35.6 | 53.4 | - | 71.2 | 60 | 83 | 44 | 76 | 94 |
| DX ³ RCCB - type AC (DP) | 70 | - | - | 35.6 | - | - | - | 60 | 83 | 44 | 76 | 94 |
| DX ³ RCCB - type AC (FP) | 71.5 | - | - | - | - | - | 71.2 | 60 | 83 | 44 | 77.5 | 94 |
| DX ³ RCCB - type A - S (DP) | 70 | - | - | 35.6 | - | - | - | 60 | 83 | 44 | 76 | 94 |
| DX ³ RCCB - type A - S (FP) | 71.5 | - | - | - | - | - | 71.2 | 60 | 83 | 44 | 77.5 | 94 |
| DX ³ RCCB - type Hpi (DP) | 70 | - | - | 35.6 | - | - | - | 60 | 83 | 44 | 76 | 94 |
| DX ³ RCCB - type Hpi (FP) | 71.5 | - | - | - | - | - | 71.2 | 60 | 83 | 44 | 77.5 | 94 |
| DX ³ RCBO - type AC | 70 | - | - | 71.2 | - | - | 142.4 | 60 | 83 | 44 | 76 | 94 |
| DX ³ RCBO - type AC (DP 2 mod.) | 70 | - | - | 35.6 | - | - | - | 60 | 83 | 44 | 76 | 94 |
| DX ³ RCBO - type Hpi (DP 2 mod.) | 70 | - | - | 35.6 | - | - | - | 60 | 83 | 44 | 76 | 94 |
| Auxiliary contacts | 70 | | | | 8.7 | | | 60 | 83 | 44 | 76 | 83 |
| Auxiliary contacts | 70 | | | | 17.7 | | | 60 | 83 | 44 | 76 | 83 |
| Shunt trip | 70 | | | | 17.7 | | | 60 | 83 | 44 | 76 | 83 |
| Minimum voltage trip | 70 | | | | 17.7 | | | 60 | 83 | 44 | 76 | 83 |
| POP over voltage | 74 | | | | 54 | | | 74 | 83 | 44 | 80.5 | 89 |
| Remote control for MCB / RCBO | 74 | | | | 54 | | | 74 | 83 | 44 | 80.5 | 89 |
| Lexic contactors 20 A | 62 | | | | 17.8 | | | 60 | 83 | 44 | 67.5 | - |
| Lexic contactors 40 A (2 mod.) | 60 | | | | 35.6 | | | 61 | 80 | 44 | 67 | - |
| Lexic contactors 40 A / 63 A (3 mod.) | 60 | | | | 54 | | | 61 | 80 | 44 | 67 | - |