

STOP&GO connected kit and automatic resetting



4 149 54



4 062 88

Pack	Cat.Nos	Connected STOP&GO (remote control resetting)	
1	4 149 54	Control voltage 230 V~	No. of modules 4

For remotely switching (via a smartphone or tablet) 1 module per pole RCCBs and RCBOs up to 63 A. Examples of use:

- In the event of unwanted tripping (generated by temporarily electrical disturbances or other external events) the Connected STOP&GO will do an automatic checking of the installation. If no permanent fault is detected: it will send a message on the smartphone or tablet of the user in order to get an authorization to switch on the associated device.
- In case of permanent fault: the user will be informed about it without having the possibility to remotely switch on the power.

Needs a permanent internet connection via a Wi-Fi modem/router (powered by an UPS) in order to send messages to the user and allow him to remotely control the circuit.

- In a normal situation, to remotely switch ON a circuit (like the electrical heating in a holiday house). Can take one control auxiliary and one signalling auxiliary. The signalling auxiliary must be placed between the STOP&GO and the control auxiliary. No tool required for assembling.

Kit comprising:

- 1 Connected STOP&GO (non-automatic)
- 1 IP gateway (Wi-Fi connection)
- 1 power supply module, input voltage 230 V~/ output voltage 12 V=
- 2 communication cables

Pack	Cat.Nos	STOP&GO automatic resetting	
1	4 062 88	Control voltage 230 V~	No. of modules 2
1	4 062 89	Automatic resetting + periodic self-test function 230 V~ 2	

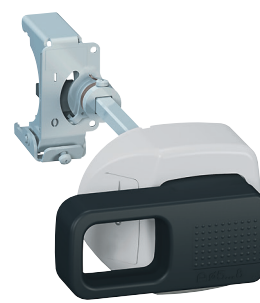
Voltage surge protectors
p. 66-70

Keor UPS
p. 678

Manual supply inverter DX³ and accessories

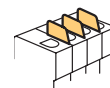


4 063 14

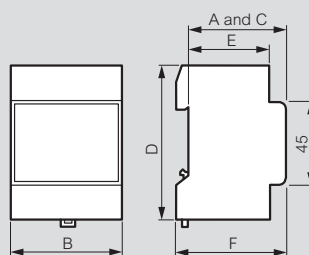
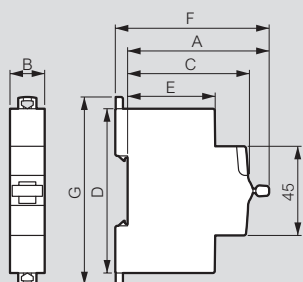


4 063 19

Pack	Cat.Nos	Manual supply inverter (MSI)	
1	4 063 14	For manually switching between the mains and an alternative power supply. Allow to restore power on pre-designated and/or critical circuits in case of a power failure of the main supply.	
1	4 063 15	For 2P 2-module devices	
1	4 063 16	For 3P 3-module devices	
		For 4P 4-module devices	
		Front external rotary handles	
		Allow the manual control (open/close) of a modular device without opening the enclosure	
		For all DX ³ , TX ³ and RX ³ devices from 2P upwards	
		Supplied with bracket, connection rod, handle, self-adhesive drilling template and connection accessories	
		Installation principle - see e-catalogue	
1	4 063 19	Black handle	
1	4 063 20	Yellow and red handle	
		Wiring management accessories	
		Insulating shields	
1	4 063 05	For 1 module per pole MCBs	
		For separation between the terminals of the MCB, when using high cross section cables	
		Spacing unit with feedthrough	
10	4 063 07	0.5 module	
		Allows cables to run between two modular devices and creates an air channel in order to limit temperature rise	
		Terminals for aluminium cables	
1	4 063 10	For 1 and 1.5 module/pole MCBs up to 63 A	
1	4 063 11	For 1.5 module/pole MCBs and remote trip isolating switches from 80 A to 125 A	
		Safety and maintenance accessories	
		Sealable screw covers	
2	4 063 04	For 1 module per pole MCBs (set of 4)	
1	4 063 12	For 1.5 module per pole MCBs (set of 4)	
		Terminal shield	
1	4 063 06	For 1.5 module/pole MCBs (set of 2)	
		Padlocking	
		To lock the handle of a modular device during maintenance	
1	0 227 97	Large padlock, Ø6 mm, 50 mm length	
		Supplied with two keys and labels	
3	4 063 13	Small padlock, Ø5 mm	
2	4 063 03	Support for one padlock (for small or large model)	
		For locking the handle of the modular devices (MCBs, RCCBs, RCBOs or isolating switches) in OFF position	



Dimensions of din-rail equipment

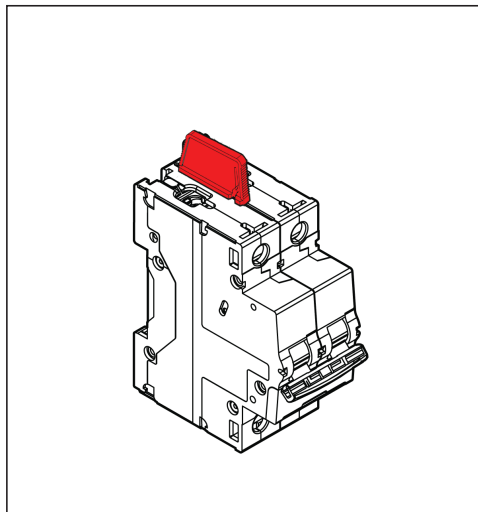
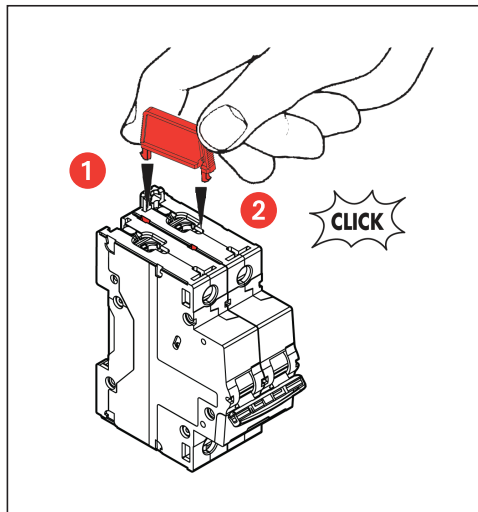


Product	A		B				C	D	E	F	G
	1P	1P+ N	2P	3P	4P						
RX³ MCBs	71.7	17.7	35.4	35.4	53.1	70.8	61	83	44	77.8	88.9
RX³ RCCBs	71.7			35.6		71.2	61	83	44	77.8	88.9
TX³ MCBs	71.7	17.7	35.4	35.4	53.1	70.8	61	83	44	77.8	88.9
TX³ RCCBs	71.7			35.6		71.2	61	83	44	77.8	88.9
Isolating switches DX³	71.7	17.8		17.8/ 35.4	35.6/ 53.1	70.8	61	83	44	77.8	94.8
Remote trip head isolating switches DX³ up to 63A - 1 mod/pole	71.7			35.4	53.1	70.8	61	83	44	77.9	94.8
Remote trip head isolating switches DX³ 100/125A - 1.5 mod/pole	73				80.1	106.8	61	96	47	79	104.3
DX³ RCCBs	71.7			35.6		71.2	61	83	44	77.8	94.8
1P DX³ RCBOs (up to 45A)	68	17.7					60	115	48	74	126.8
1P+N DX³ RCBOs (up to 40A) & 4P (up to 32A)	71.7		35.6			71.2	61	83	44	77.8	94.8
2P & 4P DX³ RCBOs (40A to 63A)	72			71.2		124.6	61	96	44	78.2	107.8
1P+N DX³ MCBs 1 mod	71.7		17.8				61	83	44	77.8	94.8
DX³ MCBs - 1 mod/pole	71.7	17.7	35.4	35.4	53.1	70.8	61	83	44	77.8	94.8
DX³ MCBs - 1,5 mod/pole	73.1	26.7		53.4	80.1	106.8	61	100	47	79	104.3
DX³ add-on modules up to 63A - 1 mod/pole	72			35.6	53.4	53.4	61	96	44	78.2	107.8
DX³ add-on modules up to 63A - 1.5 mod/pole	72			35.6	53.4	53.4	61	96	47	78.2	116.7
DX³ add-on modules 80 to 125A - 1.5 mod/pole	72			71.2	106.8	106.8	61	114	47	78.2	129
DX³ auxiliaries	71.5		8.8 / 17.7				61	83	44	77.7	84.5
DX³ remote control	74.3		17.7 / 35.4				61	83	44	80.5	98.8
DX³ Stop&Go automatic resetting	74.3		35.4				61	83	44	80.5	113.7
Change-over switches	68	17.7		35.6			60	83	44	74	94
CX³ latching relays	64	17.8		17.8	35.6	35.6	61	84.5	44	70.2	94.8
CX³ contactors up to 25A	66.3/ 61	17.8		17.8	35.6	35.6	61	84.5	44	72.6/ 67.3	94.8
CX³ contactors 40A & 63A	62			35.6	53.4	53.4	60	83	44	68	94
Auxiliaries for CX³ contactors and latching relays	61		9/17.8				61	84.5	44	67	84.5
Push-buttons / control switches	68		17.7				60	83	44	74	94
Indicators	68		17.7				60	83	44	69	94
Bells and buzzers	60		17.7				60	76	44	66	85
Light sensitive switches											
Cat.Nos 0 037 21, 4 126 23	60		35.6				60	85	37.5	66	70
Socket outlets	60		44.5				60	83	44	66	92
Time delay relays	60		17.7				60	83	44	66	94
Remote control dimmers											
Cat.No 0 036 58	60		36				60	83	44	66	94
Cat.No 0 036 60	60		72				60	83	44	66	94
Cat.No 0 036 71	60		108				60	83	44	66	94

Description	A	B	C	D	E	F
Programmable time switches						
0 037 05	60	17.8	60	83	44	66
4 127 80/90/94	60	17.8	60	83	44	66
4 127 95, 4 128 12/13	60	53	60	83	44	66
4 126 31/33/41	60	35.6	60	83	44	66
4 126 54/57	60	35.6	60	83	44	66
0 047 70	60	90	60	83	44	66
Transformers and power supplies						
0 042 10/30/31	60	72	60	83	44	66
4 130 91	60	35.8	60	83.5	44	66
4 130 92/93/96	60	71.5	60	83.5	44	66
4 130 98	60	89	60	94	44	66
0 047 91/92	60	105	60	95	44	66
4 131 05/06/07/08	60	89	60	95	44	66
0 047 93	60	70	60	95	44	66
Residual current relay						
0 260 88	60	35.5	60	89	44	66

4063 05

 **legrand**[®]

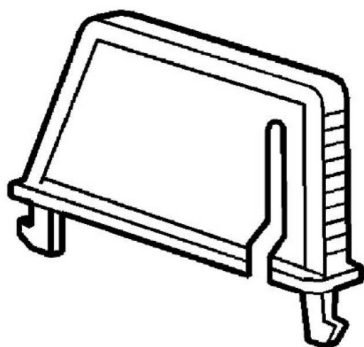


05/11 - 01 CT

LE04419AA

Insulating shields

Cat N°: 4 063 05



CONTENTS	PAGE
1. Description, Use	1
2. Range	1
3. Overall dimensions	1
4. Preparation	2
5. General characteristics	2
6. Compliance and approvals.....	2

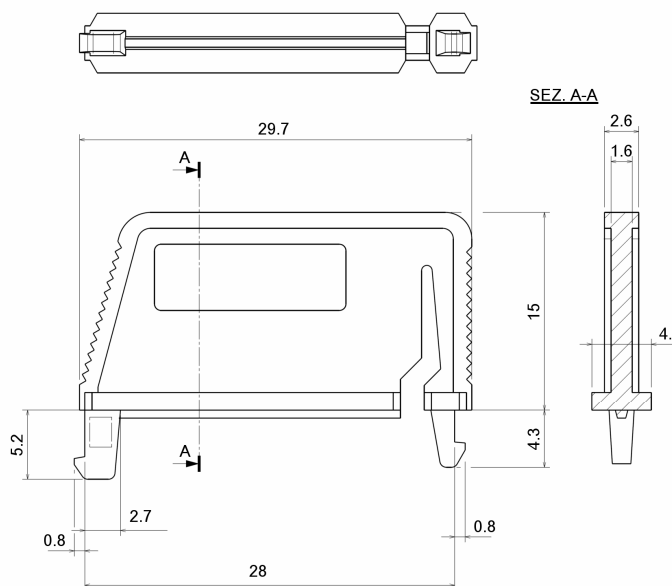
1. DESCRIPTION - USE

- Insulating shield for 1 module per pole circuit breaker (MCB)
- Allows the separation between the terminals of a MCB.

2. RANGE

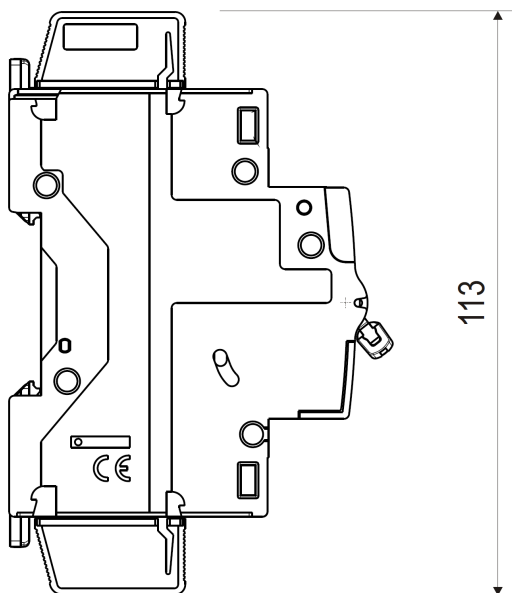
- Cat N° 4 063 12 : six parts.

3. OVERALL DIMENSIONS



3. OVERALL DIMENSIONS (continued)

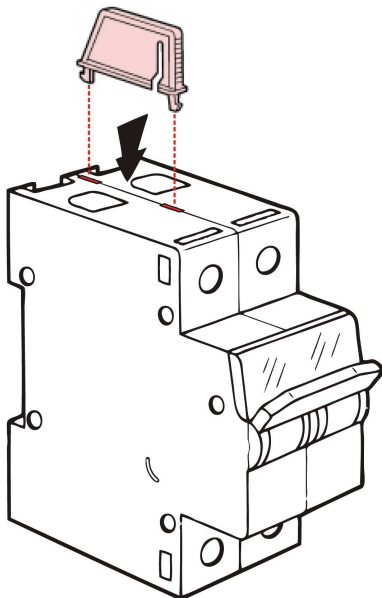
- Height of the circuit breaker + insulating shields: 113 mm



4. PREPARATION

Assembling:

- . Directly on the circuit breaker, before or after wiring the M.C.B.



Tools required:

- . No tools needed.

5. GENERAL CHARACTERISTICS

Ambient temperatures:

- . Operation: from - 25°C to + 70°C
- . Storage: from - 40°C to + 70°C

Plastic Materials:

- . Polycarbonate with 10% glass fibre
- . Characteristics of this material: self extinguishing, heat and fire resistant according to EN 60898-1, glow wire test at 960°C

Sinusoidal vibration resistance in accordance with IEC 60068.2.6:

- . Axis : x, y, z.
- . Frequency range: 5÷100 Hz ; duration 90 min.
- . Displacement (5÷13,2 Hz) : 1mm
- . Acceleration (13,2÷100 Hz) : 0,7g (g=9,81 m/s²).

Average weight per piece:

- . 0,0015 kg.

Packed Volume:

- . 0,21dm³ for a box of 6 parts

6. COMPLIANCE AND APPROVALS

In accordance with standards:

- . NF / EN / IEC 61009-2.
- . NF / EN / IEC 60947-2
- . European Community Guidelines: 73/23/CEE + 93/68/CEE