

DX³ isolators

ISs for AC applications upto 125A



DX³ RCCBs

RCCBs for AC applications upto 63 A



4065 00



4065 10



4065 20



4118 51



4118 77



4118 93

Technical characteristics p. 45

Isolators for AC applications upto 125 A
 ISI marked as per IEC 60947-3
 Integrated label holder
 Ergonomic red color dolly
 Sliding bottom clamp
 Double break mechanism
 Improved air channels
 Color coded On/Off indication on dolly
 Biconnect lower terminals
 IP 20 protected terminals
 Sliding shutters

Technical characteristics p. 46-51

ISI marked as per IS 12640-1
 Integrated label holder
 Ergonomic Grey color dolly
 Sliding bottom clamp
 Color coded On/Off indication on dolly
 Biconnect lower terminals
 IP 20 protected terminals
 35 sq mm terminals
 Sliding shutters

| Pack | Cat.Nos | Isolators | Number of modules |
|--------|----------------|--------------------------------------|-------------------|
| | | 2 pole 415 V\sim | |
| | | Nominal rating In (A) | |
| 1/5/60 | 4065 00 | 32 | 2 |
| 1/5/60 | 4065 01 | 40 | 2 |
| 1/5/60 | 4065 02 | 63 | 2 |
| 1/5/60 | 4065 04 | 100 | 2 |
| 1/5/60 | 4065 05 | 125 | 2 |
| | | 3 pole 415 V\sim | |
| 1/40 | 4065 09 | 32 | 3 |
| 1/40 | 4065 10 | 40 | 3 |
| 1/40 | 4065 11 | 63 | 3 |
| 1/40 | 4065 13 | 100 | 3 |
| 1/40 | 4065 14 | 125 | 3 |
| | | 4 pole 415 V\sim | |
| 1/32 | 4065 18 | 32 | 4 |
| 1/32 | 4065 19 | 40 | 4 |
| 1/32 | 4065 20 | 63 | 4 |
| 1/32 | 4065 22 | 100 | 4 |
| 1/32 | 4065 23 | 125 | 4 |

| Pack | Cat.Nos | DX ³ RCCBs | Number of modules |
|--------|----------------|---|-------------------|
| | | 2 pole 240 V\sim | |
| | | 30 mA | |
| | | Nominal rating In (A) | |
| 1/5/60 | 4118 51 | 25 | 2 |
| 1/5/60 | 4118 52 | 40 | 2 |
| 1/5/60 | 4118 53 | 63 | 2 |
| | | 100 mA | |
| 1/5/60 | 4118 56 | 25 | 2 |
| 1/5/60 | 4118 57 | 40 | 2 |
| 1/5/60 | 4118 58 | 63 | 2 |
| | | 300 mA | |
| 1/5/60 | 4118 61 | 25 | 2 |
| 1/5/60 | 4118 62 | 40 | 2 |
| 1/5/60 | 4118 63 | 63 | 2 |
| | | 4 pole 415 V\sim | |
| | | 30 mA | |
| 1/32 | 4118 76 | 25 | 4 |
| 1/32 | 4118 77 | 40 | 4 |
| 1/32 | 4118 78 | 63 | 4 |
| | | 100 mA | |
| 1/32 | 4118 81 | 25 | 4 |
| 1/32 | 4118 82 | 40 | 4 |
| 1/32 | 4118 83 | 63 | 4 |
| | | 300 mA | |
| 1/32 | 4118 86 | 25 | 4 |
| 1/32 | 4118 87 | 40 | 4 |
| 1/32 | 4118 88 | 63 | 4 |
| | | 4 pole 415 V\sim, A-S | |
| | | 300 mA | |
| 1/5/60 | 4118 91 | 25 | 4 |
| 1/5/60 | 4118 92 | 40 | 4 |
| 1/5/60 | 4118 93 | 63 | 4 |
| | | 2 pole 240 V\sim, HPI | |
| | | 30 mA | |
| 1/5/60 | 4118 71 | 25 | 2 |
| 1/5/60 | 4118 72 | 40 | 2 |
| 1/5/60 | 4118 73 | 63 | 2 |
| | | 4 pole 415 V\sim, HPI | |
| | | 30 mA | |
| 1/32 | 4118 96 | 25 | 4 |
| 1/32 | 4118 97 | 40 | 4 |
| 1/32 | 4118 98 | 63 | 4 |

DX³

MCBs

Selection chart*

DX³ MCBs (10 kA) and RCBOs 3 phase motor application

| Motor H.P. | KW | MCB rating (A) | |
|------------|-------|----------------|-------|
| | | Star Delta | DOL |
| 1 | 0.75 | - | 1.6 A |
| 1.5 | 1.10 | - | 2 A |
| 2 | 1.50 | - | 3 A |
| 3 | 2.25 | - | 4 A |
| 4 | 3.00 | - | 10 A |
| 5 | 3.75 | 10 A | 10 A |
| 6 | 4.50 | 10 A | 10 A |
| 7.5 | 5.50 | 16 A | 16 A |
| 10 | 7.50 | 16 A | 20 A |
| 12.5 | 9.30 | 20 A | 25 A |
| 15 | 11.00 | 25 A | 32 A |
| 17.5 | 13.00 | 25 A | 32 A |
| 20 | 15.00 | 40 A | 40 A |
| 25 | 18.50 | 40 A | 50 A |
| 30 | 22.50 | 50 A | 63 A |
| 35 | 26.00 | 63 A | - |

For MCB/RCBO ratings :

Single phase = $P = VI$

Three phase = $P = \sqrt{3} VI \cos \phi = 1.732 \times VI \times 0.8$

Note : One lighting circuit can have upto 800 W or upto 10 points.

One power circuit can have upto 3000 W or upto 2 power points.

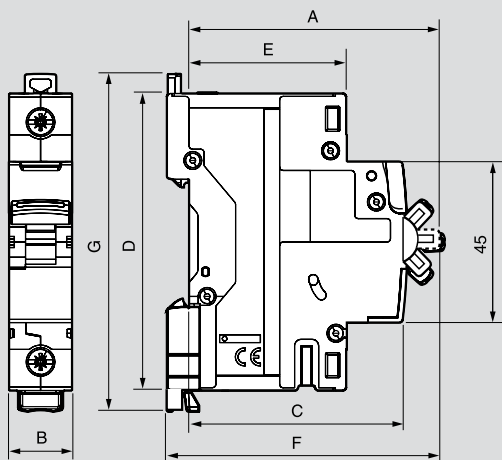
* The data given above is only for guidance.

The exact rating must be selected only after considering the motor characteristics.

Technical data

Isolators

| | | |
|---|--|---|
| Specifications | IEC 60947-3 | |
| Number of poles | DP, TP, FP | |
| Utilization category | AC22A | |
| Rated operational voltage and frequency | 415 V, 50/60 Hz | |
| Insulation voltage Ui | 500 V AC | |
| Impulse voltage Uimp | 6 kV | |
| Short circuit making capacity Icm | 1000 A | |
| Endurance | Electrical - 1500 operations with load AC22A Mechanical - 10000 operation | |
| Mounting position | Vertical / Horizontal / Upside down / On the side | |
| Fixing | On symmetric rail EN/IEC 60715 or DIN 35 | |
| Maximum cable size | Top/Bottom | 1 x 1.5 mm ² to 35 mm ² |
| | Rigid cable | 2 x 1.5 mm ² to 16 mm ² |
| | Top/Bottom | 1 x 1.5 mm ² to 25 mm ² |
| | Flexible cable | 2 x 1.5 mm ² to 10 mm ² |
| Applied connection torque | Recommended : 3 Nm Minimum : 2 Nm Maximum: 3.5 Nm | |
| Permissible ambient temperature | Maximum + 70° C Minimum -25° C | |

Dimensions


| Products | A | B | | | | | | C | D | E | F | G |
|---|------|------|------|------|------|------|-------|----|----|----|------|----|
| | | SP | SPN | DP | TP | TPN | FP | | | | | |
| DX ³ MCBs (0.5 to 63A) | 70 | 17.7 | 35.6 | 35.6 | 53.4 | 71.2 | 71.2 | 60 | 83 | 44 | 76 | 94 |
| DX ³ MCBs (80 - 125A) | 70 | 26.7 | - | 53.4 | 80.1 | - | 106.8 | 60 | 83 | 44 | 76 | 89 |
| DX ³ Isolators | 70 | - | - | 35.6 | 53.4 | - | 71.2 | 60 | 83 | 44 | 76 | 94 |
| DX ³ RCCB - type AC (DP) | 70 | - | - | 35.6 | - | - | - | 60 | 83 | 44 | 76 | 94 |
| DX ³ RCCB - type AC (FP) | 71.5 | - | - | - | - | - | 71.2 | 60 | 83 | 44 | 77.5 | 94 |
| DX ³ RCCB - type A - S (DP) | 70 | - | - | 35.6 | - | - | - | 60 | 83 | 44 | 76 | 94 |
| DX ³ RCCB - type A - S (FP) | 71.5 | - | - | - | - | - | 71.2 | 60 | 83 | 44 | 77.5 | 94 |
| DX ³ RCCB - type Hpi (DP) | 70 | - | - | 35.6 | - | - | - | 60 | 83 | 44 | 76 | 94 |
| DX ³ RCCB - type Hpi (FP) | 71.5 | - | - | - | - | - | 71.2 | 60 | 83 | 44 | 77.5 | 94 |
| DX ³ RCBO - type AC | 70 | - | - | 71.2 | - | - | 142.4 | 60 | 83 | 44 | 76 | 94 |
| DX ³ RCBO - type AC (DP 2 mod.) | 70 | - | - | 35.6 | - | - | - | 60 | 83 | 44 | 76 | 94 |
| DX ³ RCBO - type Hpi (DP 2 mod.) | 70 | - | - | 35.6 | - | - | - | 60 | 83 | 44 | 76 | 94 |
| Auxiliary contacts | 70 | | | | 8.7 | | | 60 | 83 | 44 | 76 | 83 |
| Auxiliary contacts | 70 | | | | 17.7 | | | 60 | 83 | 44 | 76 | 83 |
| Shunt trip | 70 | | | | 17.7 | | | 60 | 83 | 44 | 76 | 83 |
| Minimum voltage trip | 70 | | | | 17.7 | | | 60 | 83 | 44 | 76 | 83 |
| POP over voltage | 74 | | | | 54 | | | 74 | 83 | 44 | 80.5 | 89 |
| Remote control for MCB / RCBO | 74 | | | | 54 | | | 74 | 83 | 44 | 80.5 | 89 |
| Lexic contactors 20 A | 62 | | | | 17.8 | | | 60 | 83 | 44 | 67.5 | - |
| Lexic contactors 40 A (2 mod.) | 60 | | | | 35.6 | | | 61 | 80 | 44 | 67 | - |
| Lexic contactors 40 A / 63 A (3 mod.) | 60 | | | | 54 | | | 61 | 80 | 44 | 67 | - |