

## DX<sup>3</sup> RCCBs

RCCBs for AC applications 80-100 A



Technical characteristics p. 46-51

Integrated label holder  
Ergonomic Grey color dolly  
Color coded On/Off indication on dolly  
IP 20 protected terminals  
35 sq mm terminals  
Sliding shutters

Pack	Cat.Nos	DX <sup>3</sup> RCCBs	Number of modules
		<b>2 pole 240 V<math>\sim</math></b>	
		<b>30 mA</b>	
		Nominal rating I <sub>n</sub> (A)	
1/5/60	<b>4115 07</b>	80	2
1/5/60	<b>4115 08</b>	100	2
		<b>100 mA</b>	
1/5/60	<b>4115 17</b>	80	2
1/5/60	<b>4115 18</b>	100	2
		<b>300 mA</b>	
1/5/60	<b>4115 27</b>	80	2
1/5/60	<b>4115 28</b>	100	2
		<b>4 pole 415 V<math>\sim</math></b>	
		<b>30 mA</b>	
1/32	<b>4117 05</b>	80	4
1/32	<b>4117 06</b>	100	4
		<b>100 mA</b>	
1/32	<b>4117 15</b>	80	4
1/32	<b>4117 16</b>	100	4
		<b>300 mA</b>	
1/32	<b>4117 25</b>	80	4
1/32	<b>4117 26</b>	100	4
		<b>2 pole 240 V<math>\sim</math>, HPI</b>	
		<b>30 mA</b>	
1/5/60	<b>4118 74</b>	80	2
		<b>4 pole 415 V<math>\sim</math>, HPI</b>	
		<b>30 mA</b>	
1/32	<b>4118 99</b>	80	4
		<b>4 pole 415 V<math>\sim</math>, A-S</b>	
		<b>300 mA</b>	
1/5/60	<b>4118 94</b>	80	4

## DX<sup>3</sup> RCBOs

RCBOs assembled for AC applications upto 63 A



Technical characteristics p. 46-51

ISI marked as per IS 12640-2  
Integrated label holder  
Ergonomic design  
Color coded On/Off indication on dolly  
Front face indication for earth leakage fault  
IP 20 protected terminals  
35 sq mm terminals  
Sliding shutters

Pack	Cat.Nos	DX <sup>3</sup> RCBOs	Number of modules
		<b>2 pole 240 V<math>\sim</math>, AC Type</b>	
		<b>30 mA</b>	
		Nominal rating I <sub>n</sub> (A)	
1/32	<b>4113 22</b>	6	4
1/32	<b>4113 23</b>	10	4
1/32	<b>4113 24</b>	16	4
1/32	<b>4113 25</b>	25	4
1/32	<b>4113 26</b>	32	4
1/32	<b>4113 27</b>	40	4
1/32	<b>4113 28</b>	63	4
		<b>100 mA</b>	
1/32	<b>4113 29</b>	6	4
1/32	<b>4113 30</b>	10	4
1/32	<b>4113 31</b>	16	4
1/32	<b>4113 32</b>	25	4
1/32	<b>4113 33</b>	32	4
1/32	<b>4113 34</b>	40	4
1/32	<b>4113 35</b>	63	4
		<b>300 mA</b>	
1/32	<b>4113 36</b>	16	4
1/32	<b>4113 37</b>	25	4
1/32	<b>4113 38</b>	32	4
1/32	<b>4113 39</b>	40	4
1/32	<b>4113 40</b>	63	4
		<b>4 pole 415 V<math>\sim</math>, AC Type</b>	
		<b>30 mA</b>	
1/16	<b>4113 88</b>	6	7
1/16	<b>4113 89</b>	10	7
1/16	<b>4113 65</b>	16	7
1/16	<b>4113 66</b>	25	7
1/16	<b>4113 67</b>	32	7
1/16	<b>4113 68</b>	40	7
1/16	<b>4113 69</b>	63	7
		<b>100 mA</b>	
1/16	<b>4113 70</b>	16	7
1/16	<b>4113 71</b>	25	7
1/16	<b>4113 72</b>	32	7
1/16	<b>4113 73</b>	40	7
1/16	<b>4113 74</b>	63	7
		<b>300 mA</b>	
1/16	<b>4113 75</b>	16	7
1/16	<b>4113 76</b>	25	7
1/16	<b>4113 77</b>	32	7
1/16	<b>4113 78</b>	40	7
1/16	<b>4113 79</b>	63	7

## DX<sup>3</sup> RCDS

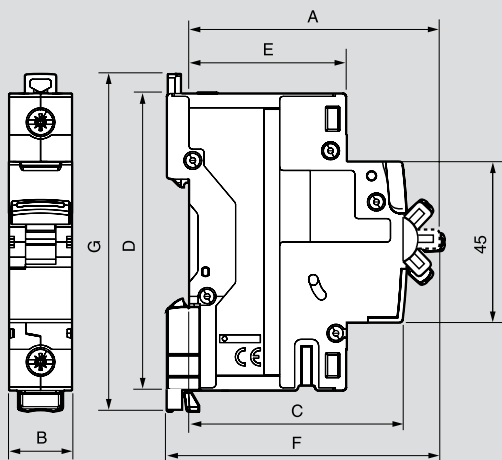
technical data for DX<sup>3</sup> RCDs

	RCCB		
	Type AC	Type A-S	Type Hpi
<b>Specification</b>	IS 12640 (part 1) 2008 IEC 61008 - 1	IEC 61008 - 1 EN 61008 - 1	EN 61008 - 1 IEC 61008 - 1
<b>No. of modules</b>	- Double pole - Four pole	2 4	2 4
<b>Electrical characteristics</b>			
<b>Nominal rating I<sub>n</sub> (A)</b>	- Double pole - Four pole	25, 40, 63, 80, 100 25, 40, 63, 80, 100	63, 80 25, 40, 63, 80
<b>Rated sensitivity (mA)</b>	- Double pole - Four pole	30, 100, 300 30, 100, 300	300 300
<b>Rated frequency (Hz)</b>		50 / 60	50 / 60
<b>Rated operating voltage U<sub>e</sub> (V AC)</b>	- Double pole - Four pole	230 230 / 415	230 400
<b>Minimum operating voltage (V AC)</b>		12	12
<b>Minimum operating voltage for test button (V AC)<sup>(1)</sup></b>			
	- Double pole - Four pole	170 196	170 196
<b>Rated insulation voltage U<sub>i</sub> (V AC)</b>	- Double pole - Four pole	250 500	250 500
<b>Rated impulse withstand voltage U<sub>imp</sub> (kV)</b>		6	6
<b>Breaking capacity</b>	As per IS 12640 (part 1) 2008, IEC 61008 - 1		
<b>Rated making &amp; breaking capacity (I<sub>m</sub>)</b>			
	- Up to 40 A - From 63 A and above	500 A 10 x I <sub>n</sub>	- 630 A
<b>Rated residual making &amp; breaking capacity (I<sub>Δm</sub>)</b>			
	- Up to 40 A - From 63 A and above	1000 A 1000 A	- 1000 A
<b>Rated conditional short circuit current (I<sub>nc</sub>)</b>		10000 A	10000 A
<b>Rated conditional residual short circuit current (I<sub>Δc</sub>)</b>		10000 A	10000 A
<b>Rated service short circuit capacity (I<sub>cs</sub>)</b>		-	-
<b>Rated short circuit capacity (I<sub>cn</sub>)</b>		-	-
<b>Operating temperature (°C)</b>		- 25 to 70	- 25 to 70
<b>Endurance (0.C cycle)</b>	- Mechanical - On load at in x cos φ 0.9 - Via test button - By fault current (sensitivity)	20,000 10,000 2,000 2,000	20,000 10,000 2,000 2,000
<b>Testing</b>	By pressing test button grey dolly will come to OFF position It is recommended to test RCCB once a month	By pressing test button grey dolly will come to OFF position It is recommended to test RCCB once a month	By pressing test button, grey dolly will come to OFF position It is recommended to test RCCB once a month
<b>Fault indication</b>	- Earth leakage  - Overload and shortcut	Grey dolly will come to OFF position  -	Grey dolly will come to OFF position  -
<b>Resetting</b>		Switch on grey dolly	Switch on grey dolly
<b>Terminals</b>	- Rigid - Flexible	1 - 35 sq. mm 1 - 25 sq. mm	1 - 35 sq. mm 1 - 25 sq. mm
<b>Type of protection</b>			
Earth leakage		•	•
Overload		-	-
Short circuit		-	-
<b>Add on electrical accessories*</b>			
Auxiliary		•	•
Fault signaling		•	•
Shunt trip		•	•
Under voltage		•	•
Over voltage		•	•

\* - Accessories are mounted on the left hand side of the product.  
At a time a maximum of three accessories can be mounted.

<sup>(1)</sup> - Between phase and neutral



**Dimensions**


Products	A	B						C	D	E	F	G
		SP	SPN	DP	TP	TPN	FP					
DX <sup>3</sup> MCBs (0.5 to 63A)	70	17.7	35.6	35.6	53.4	71.2	71.2	60	83	44	76	94
DX <sup>3</sup> MCBs (80 - 125A)	70	26.7	-	53.4	80.1	-	106.8	60	83	44	76	89
DX <sup>3</sup> Isolators	70	-	-	35.6	53.4	-	71.2	60	83	44	76	94
DX <sup>3</sup> RCCB - type AC (DP)	70	-	-	35.6	-	-	-	60	83	44	76	94
DX <sup>3</sup> RCCB - type AC (FP)	71.5	-	-	-	-	-	71.2	60	83	44	77.5	94
DX <sup>3</sup> RCCB - type A - S (DP)	70	-	-	35.6	-	-	-	60	83	44	76	94
DX <sup>3</sup> RCCB - type A - S (FP)	71.5	-	-	-	-	-	71.2	60	83	44	77.5	94
DX <sup>3</sup> RCCB - type Hpi (DP)	70	-	-	35.6	-	-	-	60	83	44	76	94
DX <sup>3</sup> RCCB - type Hpi (FP)	71.5	-	-	-	-	-	71.2	60	83	44	77.5	94
DX <sup>3</sup> RCBO - type AC	70	-	-	71.2	-	-	142.4	60	83	44	76	94
DX <sup>3</sup> RCBO - type AC (DP 2 mod.)	70	-	-	35.6	-	-	-	60	83	44	76	94
DX <sup>3</sup> RCBO - type Hpi (DP 2 mod.)	70	-	-	35.6	-	-	-	60	83	44	76	94
Auxiliary contacts	70				8.7			60	83	44	76	83
Auxiliary contacts	70				17.7			60	83	44	76	83
Shunt trip	70				17.7			60	83	44	76	83
Minimum voltage trip	70				17.7			60	83	44	76	83
POP over voltage	74				54			74	83	44	80.5	89
Remote control for MCB / RCBO	74				54			74	83	44	80.5	89
Lexic contactors 20 A	62				17.8			60	83	44	67.5	-
Lexic contactors 40 A (2 mod.)	60				35.6			61	80	44	67	-
Lexic contactors 40 A / 63 A (3 mod.)	60				54			61	80	44	67	-