

DX³ RCCBs

RCCBs for AC applications 80-100 A



Technical characteristics p. 46-51

Integrated label holder
Ergonomic Grey color dolly
Color coded On/Off indication on dolly
IP 20 protected terminals
35 sq mm terminals
Sliding shutters

| Pack | Cat.Nos | DX ³ RCCBs | Nominal rating I _n (A) | Number of modules |
|--------|----------------|--------------------------------------|-----------------------------------|-------------------|
| | | 2 pole 240 V[~] | | |
| | | 30 mA | | |
| 1/5/60 | 4115 07 | | 80 | 2 |
| 1/5/60 | 4115 08 | | 100 | 2 |
| | | 100 mA | | |
| 1/5/60 | 4115 17 | | 80 | 2 |
| 1/5/60 | 4115 18 | | 100 | 2 |
| | | 300 mA | | |
| 1/5/60 | 4115 27 | | 80 | 2 |
| 1/5/60 | 4115 28 | | 100 | 2 |
| | | 4 pole 415 V[~] | | |
| | | 30 mA | | |
| 1/32 | 4117 05 | | 80 | 4 |
| 1/32 | 4117 06 | | 100 | 4 |
| | | 100 mA | | |
| 1/32 | 4117 15 | | 80 | 4 |
| 1/32 | 4117 16 | | 100 | 4 |
| | | 300 mA | | |
| 1/32 | 4117 25 | | 80 | 4 |
| 1/32 | 4117 26 | | 100 | 4 |
| | | 2 pole 240 V[~], HPI | | |
| | | 30 mA | | |
| 1/5/60 | 4118 74 | | 80 | 2 |
| | | 4 pole 415 V[~], HPI | | |
| | | 30 mA | | |
| 1/32 | 4118 99 | | 80 | 4 |
| | | 4 pole 415 V[~], A-S | | |
| | | 300 mA | | |
| 1/5/60 | 4118 94 | | 80 | 4 |

DX³ RCBOs

RCBOs assembled for AC applications upto 63 A



Technical characteristics p. 46-51

ISI marked as per IS 12640-2
Integrated label holder
Ergonomic design
Color coded On/Off indication on dolly
Front face indication for earth leakage fault
IP 20 protected terminals
35 sq mm terminals
Sliding shutters

| Pack | Cat.Nos | DX ³ RCBOs | Nominal rating I _n (A) | Number of modules |
|------|----------------|--|-----------------------------------|-------------------|
| | | 2 pole 240 V[~], AC Type | | |
| | | 30 mA | | |
| 1/32 | 4113 22 | | 6 | 4 |
| 1/32 | 4113 23 | | 10 | 4 |
| 1/32 | 4113 24 | | 16 | 4 |
| 1/32 | 4113 25 | | 25 | 4 |
| 1/32 | 4113 26 | | 32 | 4 |
| 1/32 | 4113 27 | | 40 | 4 |
| 1/32 | 4113 28 | | 63 | 4 |
| | | 100 mA | | |
| 1/32 | 4113 29 | | 6 | 4 |
| 1/32 | 4113 30 | | 10 | 4 |
| 1/32 | 4113 31 | | 16 | 4 |
| 1/32 | 4113 32 | | 25 | 4 |
| 1/32 | 4113 33 | | 32 | 4 |
| 1/32 | 4113 34 | | 40 | 4 |
| 1/32 | 4113 35 | | 63 | 4 |
| | | 300 mA | | |
| 1/32 | 4113 36 | | 16 | 4 |
| 1/32 | 4113 37 | | 25 | 4 |
| 1/32 | 4113 38 | | 32 | 4 |
| 1/32 | 4113 39 | | 40 | 4 |
| 1/32 | 4113 40 | | 63 | 4 |
| | | 4 pole 415 V[~], AC Type | | |
| | | 30 mA | | |
| 1/16 | 4113 88 | | 6 | 7 |
| 1/16 | 4113 89 | | 10 | 7 |
| 1/16 | 4113 65 | | 16 | 7 |
| 1/16 | 4113 66 | | 25 | 7 |
| 1/16 | 4113 67 | | 32 | 7 |
| 1/16 | 4113 68 | | 40 | 7 |
| 1/16 | 4113 69 | | 63 | 7 |
| | | 100 mA | | |
| 1/16 | 4113 70 | | 16 | 7 |
| 1/16 | 4113 71 | | 25 | 7 |
| 1/16 | 4113 72 | | 32 | 7 |
| 1/16 | 4113 73 | | 40 | 7 |
| 1/16 | 4113 74 | | 63 | 7 |
| | | 300 mA | | |
| 1/16 | 4113 75 | | 16 | 7 |
| 1/16 | 4113 76 | | 25 | 7 |
| 1/16 | 4113 77 | | 32 | 7 |
| 1/16 | 4113 78 | | 40 | 7 |
| 1/16 | 4113 79 | | 63 | 7 |

DX³ RCDS

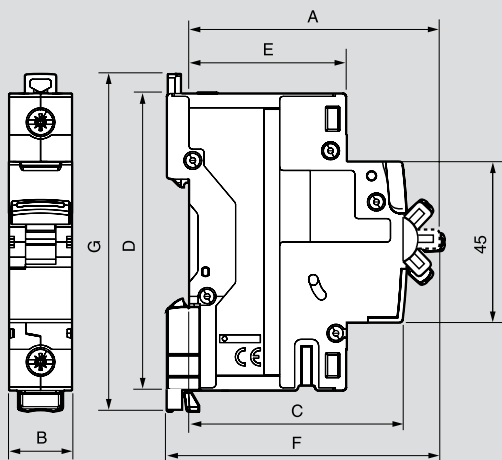
technical data for DX³ RCDS

| Specification | RCCB | | |
|--|---|---|--|
| | Type AC | Type A-S | Type Hpi |
| | IS 12640 (part 1) 2008 IEC 61008 - 1 | IEC 61008 - 1 EN 61008 - 1 | EN 61008 - 1 IEC 61008 - 1 |
| No. of modules | | | |
| - Double pole | 2 | 2 | 2 |
| - Four pole | 4 | 4 | 4 |
| Electrical characteristics | | | |
| Nominal rating I_n (A) | | | |
| - Double pole | 25, 40, 63, 80, 100 | 63, 80 | 25, 40, 63, 80 |
| - Four pole | 25, 40, 63, 80, 100 | 25, 40, 63, 80 | 25, 40, 63, 80 |
| Rated sensitivity (mA) | | | |
| - Double pole | 30, 100, 300 | 300 | 30 |
| - Four pole | 30, 100, 300 | 300 | 30 |
| Rated frequency (Hz) | 50 / 60 | 50 / 60 | 50 / 60 |
| Rated operating voltage U_e (V AC) | | | |
| - Double pole | 230 | 230 | 230 |
| - Four pole | 230 / 415 | 400 | 400 |
| Minimum operating voltage (V AC) | 12 | 12 | 12 |
| Minimum operating voltage for test button (V AC)⁽¹⁾ | | | |
| - Double pole | 170 | 170 | 170 |
| - Four pole | 196 | 196 | 196 |
| Rated insulation voltage U_i (V AC) | | | |
| - Double pole | 250 | 250 | 250 |
| - Four pole | 500 | 500 | 500 |
| Rated impulse withstand voltage U_{imp} (kV) | 6 | 6 | 6 |
| Breaking capacity | As per IS 12640 (part 1) 2008, IEC 61008 - 1 | | |
| Rated making & breaking capacity (I_m) | | | |
| - Up to 40 A | 500 A | - | 500 A |
| - From 63 A and above | 10 x I _n | 630 A | 630 A |
| Rated residual making & breaking capacity (I_{Δm}) | | | |
| - Up to 40 A | 1000 A | - | 1000 A |
| - From 63 A and above | 1000 A | 1000 A | 1000 A |
| Rated conditional short circuit current (I_{nc}) | 10000 A | 10000 A | 10000 A |
| Rated conditional residual short circuit current (I_{Δc}) | 10000 A | 10000 A | 10000 A |
| Rated service short circuit capacity (I_{cs}) | - | - | - |
| Rated short circuit capacity (I_{cn}) | - | - | - |
| Operating temperature (°C) | - 25 to 70 | - 25 to 70 | - 25 to 70 |
| Endurance (0.C cycle) | | | |
| - Mechanical | 20,000 | 20,000 | 20,000 |
| - On load at $i_n \times \cos \phi = 0.9$ | 10,000 | 10,000 | 10,000 |
| - Via test button | 2,000 | 2,000 | 2,000 |
| - By fault current (sensitivity) | 2,000 | 2,000 | 2,000 |
| Testing | By pressing test button grey dolly will come to OFF position It is recommended to test RCCB once a month | By pressing test button grey dolly will come to OFF position It is recommended to test RCCB once a month | By pressing test button, grey dolly will come to OFF position It is recommended to test RCCB once a month |
| Fault indication | | | |
| - Earth leakage | Grey dolly will come to OFF position | Grey dolly will come to OFF position | Grey dolly will come to OFF position |
| - Overload and shortcut | - | - | - |
| Resetting | Switch on grey dolly | Switch on grey dolly | Switch on grey dolly |
| Terminals | | | |
| - Rigid | 1 - 35 sq. mm | 1 - 35 sq. mm | 1 - 35 sq. mm |
| - Flexible | 1 - 25 sq. mm | 1 - 25 sq. mm | 1 - 25 sq. mm |
| Type of protection | | | |
| Earth leakage | • | • | • |
| Overload | - | - | - |
| Short circuit | - | - | - |
| Add on electrical accessories* | | | |
| Auxiliary | • | • | • |
| Fault signaling | • | • | • |
| Shunt trip | • | • | • |
| Under voltage | • | • | • |
| Over voltage | • | • | • |

* - Accessories are mounted on the left hand side of the product.
At a time a maximum of three accessories can be mounted.

⁽¹⁾ - Between phase and neutral

| RCBO | | | | |
|------|---|---|---|---|
| | Type AC | Type AC - 2 & 4 modules | Type Hpi | Type A |
| | IS 12640 (part 2) 2008 IEC 61009 - 1 | NFC 61 - 410 EN 61009 - 1 IEC 61009 - 1 | EN 61009 - 1 IEC 61009 - 1 | EN 61009 - 1 IEC 61009 - 1 |
| | 4 | 2 | 2 | - |
| | 7 | 4 | - | 4 |
| | | | | |
| | 6, 10, 16, 25, 32, 40, 63 | 6, 10, 16, 20, 25, 32 | 25, 32, 40 | 25, 32, 40 |
| | 16, 25, 32, 40, 63 | 10, 16, 20, 25, 32 | - | - |
| | 30, 100, 300 | 30, 300 | 30 | 30, 300 |
| | 30, 100, 300 | - | - | - |
| | 50 | 50 | 50 / 60 | 50 / 60 |
| | 230 | 230 | 230 | - |
| | 415 | 415 | - | 415 |
| | 12 | 12 | 12 | 12 |
| | | | | |
| | 170 | 170 | 170 | - |
| | 196 | 196 | - | 196 |
| | 500 | 250 | 250 | - |
| | 500 | 500 | - | 500 |
| | 4 | 6 | 6 | 6 |
| | As per IS 12640 (part 2) 2008, IEC 61009 - 1 | | | |
| | 10000 A | 6000 A | 6000 A | 6000 A |
| | 10000 A | - | - | - |
| | | | | |
| | 10000 A | 3000 A | 3000 A | 3000 A |
| | 10000 A | - | - | - |
| | - | - | - | - |
| | - | - | - | - |
| | 7500 A | 6000 A | 6000 A | 6000 A |
| | 10000 A | 6000 A | 6000 A | 6000 A |
| | - 25 to 70 | - 25 to 70 | - 25 to 70 | - 25 to 70 |
| | 20,000 | 20,000 | 20,000 | 20,000 |
| | 10,000 | 10,000 | 10,000 | 10,000 |
| | 1,000 | 1,000 | 1,000 | 1,000 |
| | 1,000 | 1,000 | 1,000 | 1,000 |
| | By pressing test button, black dolly will come to OFF position It is recommended to test RCBO once a month | By pressing test button, black dolly will come to OFF position It is recommended to test RCBO once a month | By pressing test button, black dolly will come to OFF position It is recommended to test RCBO once a month | By pressing test button, black dolly will come to OFF position It is recommended to test RCBO once a month |
| | Black & blue dolly will come to OFF position | Black dolly will come to OFF position & blue indicator will appear on front face window | Black dolly will come to OFF position & blue indicator will appear on front face window | Black dolly will come to OFF position & blue indicator will appear on front face window |
| | Black dolly will come to OFF position | Black dolly will come to OFF position | Black dolly will come to OFF position | Black dolly will come to OFF position |
| | Switch on black dolly | Switch on black dolly | Switch on black dolly | Switch on black dolly |
| | 1 - 35 sq. mm | 0.75 - 16 sq. mm | 0.75 - 16 sq. mm | 0.75 - 16 sq. mm |
| | 1 - 25 sq. mm | 0.75 - 10 sq. mm | 0.75 - 10 sq. mm | 0.75 - 10 sq. mm |
| | | | | |
| | • | • | • | • |
| | • | • | • | • |
| | • | • | • | • |
| | | | | |
| | • | • | • | • |
| | • | • | • | • |
| | • | • | • | • |
| | • | • | • | • |
| | • | • | • | • |

Dimensions


| Products | A | B | | | | | | C | D | E | F | G |
|---|------|------|------|------|------|------|-------|----|----|----|------|----|
| | | SP | SPN | DP | TP | TPN | FP | | | | | |
| DX ³ MCBs (0.5 to 63A) | 70 | 17.7 | 35.6 | 35.6 | 53.4 | 71.2 | 71.2 | 60 | 83 | 44 | 76 | 94 |
| DX ³ MCBs (80 - 125A) | 70 | 26.7 | - | 53.4 | 80.1 | - | 106.8 | 60 | 83 | 44 | 76 | 89 |
| DX ³ Isolators | 70 | - | - | 35.6 | 53.4 | - | 71.2 | 60 | 83 | 44 | 76 | 94 |
| DX ³ RCCB - type AC (DP) | 70 | - | - | 35.6 | - | - | - | 60 | 83 | 44 | 76 | 94 |
| DX ³ RCCB - type AC (FP) | 71.5 | - | - | - | - | - | 71.2 | 60 | 83 | 44 | 77.5 | 94 |
| DX ³ RCCB - type A - S (DP) | 70 | - | - | 35.6 | - | - | - | 60 | 83 | 44 | 76 | 94 |
| DX ³ RCCB - type A - S (FP) | 71.5 | - | - | - | - | - | 71.2 | 60 | 83 | 44 | 77.5 | 94 |
| DX ³ RCCB - type Hpi (DP) | 70 | - | - | 35.6 | - | - | - | 60 | 83 | 44 | 76 | 94 |
| DX ³ RCCB - type Hpi (FP) | 71.5 | - | - | - | - | - | 71.2 | 60 | 83 | 44 | 77.5 | 94 |
| DX ³ RCBO - type AC | 70 | - | - | 71.2 | - | - | 142.4 | 60 | 83 | 44 | 76 | 94 |
| DX ³ RCBO - type AC (DP 2 mod.) | 70 | - | - | 35.6 | - | - | - | 60 | 83 | 44 | 76 | 94 |
| DX ³ RCBO - type Hpi (DP 2 mod.) | 70 | - | - | 35.6 | - | - | - | 60 | 83 | 44 | 76 | 94 |
| Auxiliary contacts | 70 | | | | 8.7 | | | 60 | 83 | 44 | 76 | 83 |
| Auxiliary contacts | 70 | | | | 17.7 | | | 60 | 83 | 44 | 76 | 83 |
| Shunt trip | 70 | | | | 17.7 | | | 60 | 83 | 44 | 76 | 83 |
| Minimum voltage trip | 70 | | | | 17.7 | | | 60 | 83 | 44 | 76 | 83 |
| POP over voltage | 74 | | | | 54 | | | 74 | 83 | 44 | 80.5 | 89 |
| Remote control for MCB / RCBO | 74 | | | | 54 | | | 74 | 83 | 44 | 80.5 | 89 |
| Lexic contactors 20 A | 62 | | | | 17.8 | | | 60 | 83 | 44 | 67.5 | - |
| Lexic contactors 40 A (2 mod.) | 60 | | | | 35.6 | | | 61 | 80 | 44 | 67 | - |
| Lexic contactors 40 A / 63 A (3 mod.) | 60 | | | | 54 | | | 61 | 80 | 44 | 67 | - |