

DX³ RCCBs

RCCBs for AC applications 80-100 A



DX³ RCBOs

RCBOs assembled for AC applications upto 63 A



4115 08



4117 05



4117 15



4113 24



4113 79

Technical characteristics p. 46-51

Integrated label holder
Ergonomic Grey color dolly
Color coded On/Off indication on dolly
IP 20 protected terminals
35 sq mm terminals
Sliding shutters

Pack	Cat.Nos	DX ³ RCCBs	Nominal rating In (A)	Number of modules
		2 pole 240 V~		
		30 mA		
1/5/60	4115 07		80	2
1/5/60	4115 08		100	2
		100 mA		
1/5/60	4115 17		80	2
1/5/60	4115 18		100	2
		300 mA		
1/5/60	4115 27		80	2
1/5/60	4115 28		100	2
		4 pole 415 V~		
		30 mA		
1/32	4117 05		80	4
1/32	4117 06		100	4
		100 mA		
1/32	4117 15		80	4
1/32	4117 16		100	4
		300 mA		
1/32	4117 25		80	4
1/32	4117 26		100	4
		2 pole 240 V~, HPI		
		30 mA		
1/5/60	4118 74		80	2
		4 pole 415 V~, HPI		
		30 mA		
1/32	4118 99		80	4
		4 pole 415 V~, A-S		
		300 mA		
1/5/60	4118 94		80	4

Technical characteristics p. 46-51

ISI marked as per IS 12640-2
Integrated label holder
Ergonomic design
Color coded On/Off indication on dolly
Front face indication for earth leakage fault
IP 20 protected terminals
35 sq mm terminals
Sliding shutters

Pack	Cat.Nos	DX ³ RCBOs	Nominal rating In (A)	Number of modules
		2 pole 240 V~, AC Type		
		30 mA		
1/32	4113 22		6	4
1/32	4113 23		10	4
1/32	4113 24		16	4
1/32	4113 25		25	4
1/32	4113 26		32	4
1/32	4113 27		40	4
1/32	4113 28		63	4
		100 mA		
1/32	4113 29		6	4
1/32	4113 30		10	4
1/32	4113 31		16	4
1/32	4113 32		25	4
1/32	4113 33		32	4
1/32	4113 34		40	4
1/32	4113 35		63	4
		300 mA		
1/32	4113 36		16	4
1/32	4113 37		25	4
1/32	4113 38		32	4
1/32	4113 39		40	4
1/32	4113 40		63	4
		4 pole 415 V~, AC Type		
		30 mA		
1/16	4113 88		6	7
1/16	4113 89		10	7
1/16	4113 65		16	7
1/16	4113 66		25	7
1/16	4113 67		32	7
1/16	4113 68		40	7
1/16	4113 69		63	7
		100 mA		
1/16	4113 70		16	7
1/16	4113 71		25	7
1/16	4113 72		32	7
1/16	4113 73		40	7
1/16	4113 74		63	7
		300 mA		
1/16	4113 75		16	7
1/16	4113 76		25	7
1/16	4113 77		32	7
1/16	4113 78		40	7
1/16	4113 79		63	7

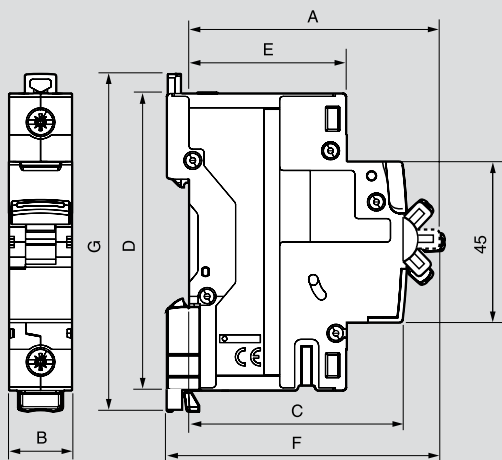
DX³ RCDS

technical data for DX³ RCDs

	RCCB		
	Type AC	Type A-S	Type Hpi
Specification	IS 12640 (part 1) 2008 IEC 61008 - 1	IEC 61008 - 1 EN 61008 - 1	EN 61008 - 1 IEC 61008 - 1
No. of modules	- Double pole - Four pole	2 4	2 4
Electrical characteristics			
Nominal rating I_n (A)	- Double pole - Four pole	25, 40, 63, 80, 100 25, 40, 63, 80, 100	63, 80 25, 40, 63, 80
Rated sensitivity (mA)	- Double pole - Four pole	30, 100, 300 30, 100, 300	300 300
Rated frequency (Hz)		50 / 60	50 / 60
Rated operating voltage U_e (V AC)	- Double pole - Four pole	230 230 / 415	230 400
Minimum operating voltage (V AC)		12	12
Minimum operating voltage for test button (V AC)⁽¹⁾			
	- Double pole - Four pole	170 196	170 196
Rated insulation voltage U_i (V AC)	- Double pole - Four pole	250 500	250 500
Rated impulse withstand voltage U_{imp} (kV)		6	6
Breaking capacity	As per IS 12640 (part 1) 2008, IEC 61008 - 1		
Rated making & breaking capacity (I_m)			
	- Up to 40 A - From 63 A and above	500 A 10 x I _n	- 630 A
Rated residual making & breaking capacity (I_{Δm})			
	- Up to 40 A - From 63 A and above	1000 A 1000 A	- 1000 A
Rated conditional short circuit current (I_{nc})		10000 A	10000 A
Rated conditional residual short circuit current (I_{Δc})		10000 A	10000 A
Rated service short circuit capacity (I_{cs})		-	-
Rated short circuit capacity (I_{cn})		-	-
Operating temperature (°C)		- 25 to 70	- 25 to 70
Endurance (0.C cycle)	- Mechanical - On load at in x cos φ 0.9 - Via test button - By fault current (sensitivity)	20,000 10,000 2,000 2,000	20,000 10,000 2,000 2,000
Testing	By pressing test button grey dolly will come to OFF position It is recommended to test RCCB once a month	By pressing test button grey dolly will come to OFF position It is recommended to test RCCB once a month	By pressing test button, grey dolly will come to OFF position It is recommended to test RCCB once a month
Fault indication	- Earth leakage - Overload and shortcut	Grey dolly will come to OFF position -	Grey dolly will come to OFF position -
Resetting		Switch on grey dolly	Switch on grey dolly
Terminals	- Rigid - Flexible	1 - 35 sq. mm 1 - 25 sq. mm	1 - 35 sq. mm 1 - 25 sq. mm
Type of protection			
Earth leakage		•	•
Overload		-	-
Short circuit		-	-
Add on electrical accessories*			
Auxiliary		•	•
Fault signaling		•	•
Shunt trip		•	•
Under voltage		•	•
Over voltage		•	•

* - Accessories are mounted on the left hand side of the product.
At a time a maximum of three accessories can be mounted.

⁽¹⁾ - Between phase and neutral

Dimensions


Products	A	B						C	D	E	F	G
		SP	SPN	DP	TP	TPN	FP					
DX ³ MCBs (0.5 to 63A)	70	17.7	35.6	35.6	53.4	71.2	71.2	60	83	44	76	94
DX ³ MCBs (80 - 125A)	70	26.7	-	53.4	80.1	-	106.8	60	83	44	76	89
DX ³ Isolators	70	-	-	35.6	53.4	-	71.2	60	83	44	76	94
DX ³ RCCB - type AC (DP)	70	-	-	35.6	-	-	-	60	83	44	76	94
DX ³ RCCB - type AC (FP)	71.5	-	-	-	-	-	71.2	60	83	44	77.5	94
DX ³ RCCB - type A - S (DP)	70	-	-	35.6	-	-	-	60	83	44	76	94
DX ³ RCCB - type A - S (FP)	71.5	-	-	-	-	-	71.2	60	83	44	77.5	94
DX ³ RCCB - type Hpi (DP)	70	-	-	35.6	-	-	-	60	83	44	76	94
DX ³ RCCB - type Hpi (FP)	71.5	-	-	-	-	-	71.2	60	83	44	77.5	94
DX ³ RCBO - type AC	70	-	-	71.2	-	-	142.4	60	83	44	76	94
DX ³ RCBO - type AC (DP 2 mod.)	70	-	-	35.6	-	-	-	60	83	44	76	94
DX ³ RCBO - type Hpi (DP 2 mod.)	70	-	-	35.6	-	-	-	60	83	44	76	94
Auxiliary contacts	70				8.7			60	83	44	76	83
Auxiliary contacts	70				17.7			60	83	44	76	83
Shunt trip	70				17.7			60	83	44	76	83
Minimum voltage trip	70				17.7			60	83	44	76	83
POP over voltage	74				54			74	83	44	80.5	89
Remote control for MCB / RCBO	74				54			74	83	44	80.5	89
Lexic contactors 20 A	62				17.8			60	83	44	67.5	-
Lexic contactors 40 A (2 mod.)	60				35.6			61	80	44	67	-
Lexic contactors 40 A / 63 A (3 mod.)	60				54			61	80	44	67	-