

## DX<sup>3</sup> RCBOs

RCBOs compact for AC applications upto 32 A, 6 kA



## DX<sup>3</sup> RCD add on module

For 125 A



Technical characteristics p. 46-51

Pack	Cat.Nos	DX <sup>3</sup> RCBOs, 2 pole 240 V~	
		ISI marked as per IEC 61009 Integrated label holder Ergonomic design Color coded On/Off indication on dolly Front face indication for earth leakage fault IP 20 protected terminals 35 sq mm terminals Sliding shutters	
		<b>AC Type</b>	
		<b>30 mA</b>	
		Nominal rating In (A)	Number of modules
1/32	<b>4113 90</b>	6	2
1/32	<b>4113 91</b>	10	2
1/32	<b>4113 92</b>	16	2
1/32	<b>4113 93</b>	20	2
1/32	<b>4113 94</b>	25	2
1/32	<b>4113 95</b>	32	2
		<b>300 mA</b>	
1/32	<b>4113 97</b>	6	2
1/32	<b>4113 98</b>	10	2
1/32	<b>4113 99</b>	16	2
1/32	<b>4114 00</b>	20	2
1/32	<b>4114 01</b>	25	2
1/32	<b>4114 02</b>	32	2
		<b>HPI Type</b>	
		<b>30 mA</b>	
1/32	<b>4114 15</b>	25	2
1/32	<b>4114 16</b>	32	2

Technical characteristics p. 46-51

Conform to IEC 60947-2  
 AC type : detect AC components faults  
 Hpi type : detect faults with AC and DC components, increased  
 Immunity to false tripping  
 For mounting on the right-hand side of 1.5 module per pole DX<sup>3</sup> MCBs  
 Easy & fast association mechanism  
 Terminal cover for locking  
 70 sq mm terminals

Pack	Cat.Nos	DX <sup>3</sup> RCBOs, 4 pole 415 V~	
		Complies to per IEC 61009 Integrated label holder Ergonomic design Color coded On/Off indication on dolly Front face indication for earth leakage fault IP 20 protected terminals 35 sq mm terminals Sliding shutters	
		<b>AC Type</b>	
		<b>30 mA</b>	
		Nominal rating In (A)	Number of modules
1/16	<b>4111 85</b>	10	4
1/16	<b>4111 86</b>	16	4
1/16	<b>4111 87</b>	20	4
1/16	<b>4111 88</b>	25	4
1/16	<b>4111 89</b>	32	4
		<b>300 mA</b>	
1/16	<b>4112 04</b>	10	4
1/16	<b>4112 05</b>	16	4
1/16	<b>4112 06</b>	20	4
1/16	<b>4112 07</b>	25	4
1/16	<b>4112 08</b>	32	4
		<b>A Type</b>	
		<b>30 mA</b>	
1/16	<b>4112 33</b>	10	4
1/16	<b>4112 34</b>	16	4
1/16	<b>4112 35</b>	20	4
1/16	<b>4112 36</b>	25	4
1/16	<b>4112 37</b>	32	4
		<b>300 mA</b>	
1/16	<b>4112 38</b>	10	4
1/16	<b>4112 39</b>	16	4
1/16	<b>4112 40</b>	20	4
1/16	<b>4112 41</b>	25	4
1/16	<b>4112 42</b>	32	4

Pack	Cat.Nos	DX <sup>3</sup> RCD	
		<b>2 pole 240 V~, AC Type</b>	
		Nominal rating In (A)	Number of modules
1	<b>4105 68</b>	125 A	4
1	<b>4105 69</b>	125 A	4
1	<b>4105 71</b>	125 A	4
		<b>4 pole 415 V~, AC Type</b>	
		<b>30 mA</b>	
1	<b>4106 25</b>	125 A	4
1	<b>4106 26</b>	125 A	4
1	<b>4106 29</b>	125 A	4
		<b>2 pole 240 V~, HPI type</b>	
		<b>30 mA</b>	
1	<b>4105 78</b>	125 A	6
1	<b>4105 79</b>	125 A	6
1	<b>4105 82</b>	125 A	6
		<b>Four pole 415 V~, HPI type</b>	
		<b>30 mA</b>	
1	<b>4106 38</b>	125 A	6
1	<b>4106 39</b>	125 A	6
1	<b>4106 42</b>	125 A	6

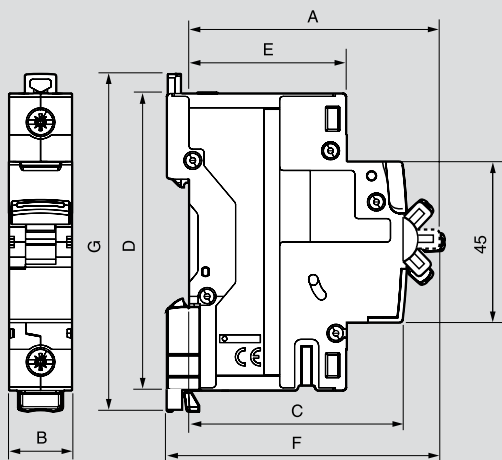
## DX<sup>3</sup> RCDS

technical data for DX<sup>3</sup> RCDs

	RCCB		
	Type AC	Type A-S	Type Hpi
<b>Specification</b>	IS 12640 (part 1) 2008 IEC 61008 - 1	IEC 61008 - 1 EN 61008 - 1	EN 61008 - 1 IEC 61008 - 1
<b>No. of modules</b>	- Double pole - Four pole	2 4	2 4
<b>Electrical characteristics</b>			
<b>Nominal rating I<sub>n</sub> (A)</b>	- Double pole - Four pole	25, 40, 63, 80, 100 25, 40, 63, 80, 100	63, 80 25, 40, 63, 80
<b>Rated sensitivity (mA)</b>	- Double pole - Four pole	30, 100, 300 30, 100, 300	300 300
<b>Rated frequency (Hz)</b>		50 / 60	50 / 60
<b>Rated operating voltage U<sub>e</sub> (V AC)</b>	- Double pole - Four pole	230 230 / 415	230 400
<b>Minimum operating voltage (V AC)</b>		12	12
<b>Minimum operating voltage for test button (V AC)<sup>(1)</sup></b>			
	- Double pole - Four pole	170 196	170 196
<b>Rated insulation voltage U<sub>i</sub> (V AC)</b>	- Double pole - Four pole	250 500	250 500
<b>Rated impulse withstand voltage U<sub>imp</sub> (kV)</b>		6	6
<b>Breaking capacity</b>	As per IS 12640 (part 1) 2008, IEC 61008 - 1		
<b>Rated making &amp; breaking capacity (I<sub>m</sub>)</b>			
	- Up to 40 A - From 63 A and above	500 A 10 x I <sub>n</sub>	- 630 A
<b>Rated residual making &amp; breaking capacity (I<sub>Δm</sub>)</b>			
	- Up to 40 A - From 63 A and above	1000 A 1000 A	- 1000 A
<b>Rated conditional short circuit current (I<sub>nc</sub>)</b>		10000 A	10000 A
<b>Rated conditional residual short circuit current (I<sub>Δc</sub>)</b>		10000 A	10000 A
<b>Rated service short circuit capacity (I<sub>cs</sub>)</b>		-	-
<b>Rated short circuit capacity (I<sub>cn</sub>)</b>		-	-
<b>Operating temperature (°C)</b>		- 25 to 70	- 25 to 70
<b>Endurance (0.C cycle)</b>	- Mechanical - On load at in x cos φ 0.9 - Via test button - By fault current (sensitivity)	20,000 10,000 2,000 2,000	20,000 10,000 2,000 2,000
<b>Testing</b>	By pressing test button grey dolly will come to OFF position It is recommended to test RCCB once a month	By pressing test button grey dolly will come to OFF position It is recommended to test RCCB once a month	By pressing test button, grey dolly will come to OFF position It is recommended to test RCCB once a month
<b>Fault indication</b>	- Earth leakage  - Overload and shortcut	Grey dolly will come to OFF position  -	Grey dolly will come to OFF position  -
<b>Resetting</b>		Switch on grey dolly	Switch on grey dolly
<b>Terminals</b>	- Rigid - Flexible	1 - 35 sq. mm 1 - 25 sq. mm	1 - 35 sq. mm 1 - 25 sq. mm
<b>Type of protection</b>			
Earth leakage		•	•
Overload		-	-
Short circuit		-	-
<b>Add on electrical accessories*</b>			
Auxiliary		•	•
Fault signaling		•	•
Shunt trip		•	•
Under voltage		•	•
Over voltage		•	•

\* - Accessories are mounted on the left hand side of the product.  
At a time a maximum of three accessories can be mounted.  
<sup>(1)</sup> - Between phase and neutral



**Dimensions**


Products	A	B						C	D	E	F	G
		SP	SPN	DP	TP	TPN	FP					
DX <sup>3</sup> MCBs (0.5 to 63A)	70	17.7	35.6	35.6	53.4	71.2	71.2	60	83	44	76	94
DX <sup>3</sup> MCBs (80 - 125A)	70	26.7	-	53.4	80.1	-	106.8	60	83	44	76	89
DX <sup>3</sup> Isolators	70	-	-	35.6	53.4	-	71.2	60	83	44	76	94
DX <sup>3</sup> RCCB - type AC (DP)	70	-	-	35.6	-	-	-	60	83	44	76	94
DX <sup>3</sup> RCCB - type AC (FP)	71.5	-	-	-	-	-	71.2	60	83	44	77.5	94
DX <sup>3</sup> RCCB - type A - S (DP)	70	-	-	35.6	-	-	-	60	83	44	76	94
DX <sup>3</sup> RCCB - type A - S (FP)	71.5	-	-	-	-	-	71.2	60	83	44	77.5	94
DX <sup>3</sup> RCCB - type Hpi (DP)	70	-	-	35.6	-	-	-	60	83	44	76	94
DX <sup>3</sup> RCCB - type Hpi (FP)	71.5	-	-	-	-	-	71.2	60	83	44	77.5	94
DX <sup>3</sup> RCBO - type AC	70	-	-	71.2	-	-	142.4	60	83	44	76	94
DX <sup>3</sup> RCBO - type AC (DP 2 mod.)	70	-	-	35.6	-	-	-	60	83	44	76	94
DX <sup>3</sup> RCBO - type Hpi (DP 2 mod.)	70	-	-	35.6	-	-	-	60	83	44	76	94
Auxiliary contacts	70				8.7			60	83	44	76	83
Auxiliary contacts	70				17.7			60	83	44	76	83
Shunt trip	70				17.7			60	83	44	76	83
Minimum voltage trip	70				17.7			60	83	44	76	83
POP over voltage	74				54			74	83	44	80.5	89
Remote control for MCB / RCBO	74				54			74	83	44	80.5	89
Lexic contactors 20 A	62				17.8			60	83	44	67.5	-
Lexic contactors 40 A (2 mod.)	60				35.6			61	80	44	67	-
Lexic contactors 40 A / 63 A (3 mod.)	60				54			61	80	44	67	-