

## DX<sup>3</sup> RCBOs

RCBOs compact for AC applications upto 32 A, 6 kA



## DX<sup>3</sup> RCD add on module

For 125 A



Technical characteristics p. 46-51

| Pack | Cat.Nos        | DX <sup>3</sup> RCBOs, 2 pole 240 V $\sim$   |                   |
|------|----------------|--|-------------------|
|      |                | ISI marked as per IEC 61009<br>Integrated label holder<br>Ergonomic design<br>Color coded On/Off indication on dolly<br>Front face indication for earth leakage fault<br>IP 20 protected terminals<br>35 sq mm terminals<br>Sliding shutters |                   |
|      |                | <b>AC Type</b>   |                   |
|      |                | <b>30 mA</b>   |                   |
|      |                | Nominal rating In (A)  | Number of modules |
| 1/32 | <b>4113 90</b> | 6  | 2                 |
| 1/32 | <b>4113 91</b> | 10   | 2                 |
| 1/32 | <b>4113 92</b> | 16   | 2                 |
| 1/32 | <b>4113 93</b> | 20   | 2                 |
| 1/32 | <b>4113 94</b> | 25   | 2                 |
| 1/32 | <b>4113 95</b> | 32   | 2                 |
|      |                | <b>300 mA</b>  |                   |
| 1/32 | <b>4113 97</b> | 6  | 2                 |
| 1/32 | <b>4113 98</b> | 10   | 2                 |
| 1/32 | <b>4113 99</b> | 16   | 2                 |
| 1/32 | <b>4114 00</b> | 20   | 2                 |
| 1/32 | <b>4114 01</b> | 25   | 2                 |
| 1/32 | <b>4114 02</b> | 32   | 2                 |
|      |                | <b>HPI Type</b>  |                   |
|      |                | <b>30 mA</b>   |                   |
| 1/32 | <b>4114 15</b> | 25   | 2                 |
| 1/32 | <b>4114 16</b> | 32   | 2                 |

| Pack | Cat.Nos        | DX <sup>3</sup> RCBOs, 4 pole 415 V $\sim$   |                   |
|------|----------------|--|-------------------|
|      |                | Complies to per IEC 61009<br>Integrated label holder<br>Ergonomic design<br>Color coded On/Off indication on dolly<br>Front face indication for earth leakage fault<br>IP 20 protected terminals<br>35 sq mm terminals<br>Sliding shutters |                   |
|      |                | <b>AC Type</b>   |                   |
|      |                | <b>30 mA</b>   |                   |
|      |                | Nominal rating In (A)  | Number of modules |
| 1/16 | <b>4111 85</b> | 10   | 4                 |
| 1/16 | <b>4111 86</b> | 16   | 4                 |
| 1/16 | <b>4111 87</b> | 20   | 4                 |
| 1/16 | <b>4111 88</b> | 25   | 4                 |
| 1/16 | <b>4111 89</b> | 32   | 4                 |
|      |                | <b>300 mA</b>  |                   |
| 1/16 | <b>4112 04</b> | 10   | 4                 |
| 1/16 | <b>4112 05</b> | 16   | 4                 |
| 1/16 | <b>4112 06</b> | 20   | 4                 |
| 1/16 | <b>4112 07</b> | 25   | 4                 |
| 1/16 | <b>4112 08</b> | 32   | 4                 |
|      |                | <b>A Type</b>  |                   |
|      |                | <b>30 mA</b>   |                   |
| 1/16 | <b>4112 33</b> | 10   | 4                 |
| 1/16 | <b>4112 34</b> | 16   | 4                 |
| 1/16 | <b>4112 35</b> | 20   | 4                 |
| 1/16 | <b>4112 36</b> | 25   | 4                 |
| 1/16 | <b>4112 37</b> | 32   | 4                 |
|      |                | <b>300 mA</b>  |                   |
| 1/16 | <b>4112 38</b> | 10   | 4                 |
| 1/16 | <b>4112 39</b> | 16   | 4                 |
| 1/16 | <b>4112 40</b> | 20   | 4                 |
| 1/16 | <b>4112 41</b> | 25   | 4                 |
| 1/16 | <b>4112 42</b> | 32   | 4                 |

Technical characteristics p. 46-51

Conform to IEC 60947-2  
 AC type : detect AC components faults  
 Hpi type : detect faults with AC and DC components, increased immunity to false tripping  
 For mounting on the right-hand side of 1.5 module per pole DX<sup>3</sup> MCBs  
 Easy & fast association mechanism  
 Terminal cover for locking  
 70 sq mm terminals

| Pack | Cat.Nos        | DX <sup>3</sup> RCD                               |                   |
|------|----------------|---|-------------------|
|      |                | <b>2 pole 240 V<math>\sim</math>, AC Type</b>     |                   |
|      |                | Nominal rating In (A)                             | Number of modules |
| 1    | <b>4105 68</b> | 125 A   | 4                 |
| 1    | <b>4105 69</b> | 125 A   | 4                 |
| 1    | <b>4105 71</b> | 125 A   | 4                 |
|      |                | <b>4 pole 415 V<math>\sim</math>, AC Type</b>     |                   |
|      |                | <b>30 mA</b>                                      |                   |
| 1    | <b>4106 25</b> | 125 A   | 4                 |
| 1    | <b>4106 26</b> | 125 A   | 4                 |
| 1    | <b>4106 29</b> | 125 A   | 4                 |
|      |                | <b>2 pole 240 V<math>\sim</math>, HPI type</b>    |                   |
|      |                | <b>30 mA</b>                                      |                   |
| 1    | <b>4105 78</b> | 125 A   | 6                 |
| 1    | <b>4105 79</b> | 125 A   | 6                 |
| 1    | <b>4105 82</b> | 125 A   | 6                 |
|      |                | <b>Four pole 415 V<math>\sim</math>, HPI type</b> |                   |
|      |                | <b>30 mA</b>                                      |                   |
| 1    | <b>4106 38</b> | 125 A   | 6                 |
| 1    | <b>4106 39</b> | 125 A   | 6                 |
| 1    | <b>4106 42</b> | 125 A   | 6                 |

## DX<sup>3</sup> RCDS

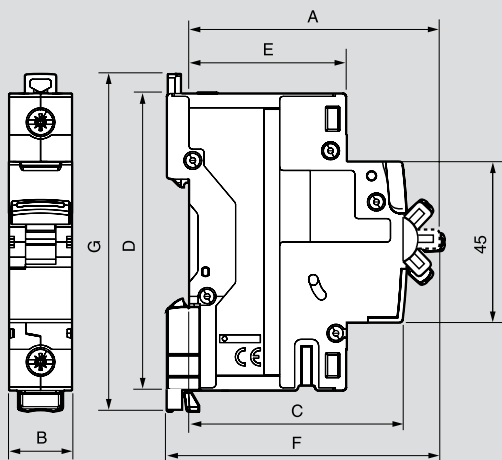
technical data for DX<sup>3</sup> RCDs

|  | RCCB   |   |  |
|--|--|---|--|
|  | Type AC  | Type A-S  | Type Hpi   |
| <b>Specification</b>   | IS 12640 (part 1) 2008<br>IEC 61008 - 1  | IEC 61008 - 1<br>EN 61008 - 1   | EN 61008 - 1<br>IEC 61008 - 1  |
| <b>No. of modules</b>  | - Double pole<br>- Four pole   | 2<br>4  | 2<br>4   |
| <b>Electrical characteristics</b>  |  |   |  |
| <b>Nominal rating I<sub>n</sub> (A)</b>                                  | - Double pole<br>- Four pole   | 25, 40, 63, 80, 100<br>25, 40, 63, 80, 100  | 63, 80<br>25, 40, 63, 80   |
| <b>Rated sensitivity (mA)</b>  | - Double pole<br>- Four pole   | 30, 100, 300<br>30, 100, 300  | 300<br>300   |
| <b>Rated frequency (Hz)</b>  |  | 50 / 60   | 50 / 60  |
| <b>Rated operating voltage U<sub>e</sub> (V AC)</b>                      | - Double pole<br>- Four pole   | 230<br>230 / 415  | 230<br>400   |
| <b>Minimum operating voltage (V AC)</b>                                  |  | 12  | 12   |
| <b>Minimum operating voltage for test button (V AC)<sup>(1)</sup></b>    |  |   |  |
|  | - Double pole<br>- Four pole   | 170<br>196  | 170<br>196   |
| <b>Rated insulation voltage U<sub>i</sub> (V AC)</b>                     | - Double pole<br>- Four pole   | 250<br>500  | 250<br>500   |
| <b>Rated impulse withstand voltage U<sub>imp</sub> (kV)</b>              |  | 6   | 6  |
| <b>Breaking capacity</b>   | As per IS 12640 (part 1) 2008, IEC 61008 - 1   |   |  |
| <b>Rated making &amp; breaking capacity (I<sub>m</sub>)</b>              |  |   |  |
|  | - Up to 40 A<br>- From 63 A and above  | 500 A<br>10 x I <sub>n</sub>  | -<br>630 A   |
| <b>Rated residual making &amp; breaking capacity (I<sub>Δm</sub>)</b>    |  |   |  |
|  | - Up to 40 A<br>- From 63 A and above  | 1000 A<br>1000 A  | -<br>1000 A  |
| <b>Rated conditional short circuit current (I<sub>nc</sub>)</b>          |  | 10000 A   | 10000 A  |
| <b>Rated conditional residual short circuit current (I<sub>Δc</sub>)</b> |  | 10000 A   | 10000 A  |
| <b>Rated service short circuit capacity (I<sub>cs</sub>)</b>             |  | -   | -  |
| <b>Rated short circuit capacity (I<sub>cn</sub>)</b>                     |  | -   | -  |
| <b>Operating temperature (°C)</b>  |  | - 25 to 70  | - 25 to 70   |
| <b>Endurance (0.C cycle)</b>   | - Mechanical<br>- On load at in x cos φ 0.9<br>- Via test button<br>- By fault current (sensitivity) | 20,000<br>10,000<br>2,000<br>2,000  | 20,000<br>10,000<br>2,000<br>2,000   |
| <b>Testing</b>   |  | By pressing test button grey dolly will come to OFF position<br>It is recommended to test RCCB once a month | By pressing test button, grey dolly will come to OFF position<br>It is recommended to test RCCB once a month |
| <b>Fault indication</b>  | - Earth leakage<br><br>- Overload and shortcut   | Grey dolly will come to OFF position<br><br>-   | Grey dolly will come to OFF position<br><br>-  |
| <b>Resetting</b>   |  | Switch on grey dolly  | Switch on grey dolly   |
| <b>Terminals</b>   | - Rigid<br>- Flexible  | 1 - 35 sq. mm<br>1 - 25 sq. mm  | 1 - 35 sq. mm<br>1 - 25 sq. mm   |
| <b>Type of protection</b>  |  |   |  |
| Earth leakage  |  | •   | •  |
| Overload   |  | -   | -  |
| Short circuit  |  | -   | -  |
| <b>Add on electrical accessories*</b>                                    |  |   |  |
| Auxiliary  |  | •   | •  |
| Fault signaling  |  | •   | •  |
| Shunt trip   |  | •   | •  |
| Under voltage  |  | •   | •  |
| Over voltage   |  | •   | •  |

\* - Accessories are mounted on the left hand side of the product.  
At a time a maximum of three accessories can be mounted.

<sup>(1)</sup> - Between phase and neutral



**Dimensions**


| Products                                    | A    | B    |      |      |      |      |       | C  | D  | E  | F    | G  |
|---|------|------|------|------|------|------|-------|----|----|----|------|----|
|   |      | SP   | SPN  | DP   | TP   | TPN  | FP    |    |    |    |      |    |
| DX <sup>3</sup> MCBs (0.5 to 63A)           | 70   | 17.7 | 35.6 | 35.6 | 53.4 | 71.2 | 71.2  | 60 | 83 | 44 | 76   | 94 |
| DX <sup>3</sup> MCBs (80 - 125A)            | 70   | 26.7 | -    | 53.4 | 80.1 | -    | 106.8 | 60 | 83 | 44 | 76   | 89 |
| DX <sup>3</sup> Isolators                   | 70   | -    | -    | 35.6 | 53.4 | -    | 71.2  | 60 | 83 | 44 | 76   | 94 |
| DX <sup>3</sup> RCCB - type AC (DP)         | 70   | -    | -    | 35.6 | -    | -    | -     | 60 | 83 | 44 | 76   | 94 |
| DX <sup>3</sup> RCCB - type AC (FP)         | 71.5 | -    | -    | -    | -    | -    | 71.2  | 60 | 83 | 44 | 77.5 | 94 |
| DX <sup>3</sup> RCCB - type A - S (DP)      | 70   | -    | -    | 35.6 | -    | -    | -     | 60 | 83 | 44 | 76   | 94 |
| DX <sup>3</sup> RCCB - type A - S (FP)      | 71.5 | -    | -    | -    | -    | -    | 71.2  | 60 | 83 | 44 | 77.5 | 94 |
| DX <sup>3</sup> RCCB - type Hpi (DP)        | 70   | -    | -    | 35.6 | -    | -    | -     | 60 | 83 | 44 | 76   | 94 |
| DX <sup>3</sup> RCCB - type Hpi (FP)        | 71.5 | -    | -    | -    | -    | -    | 71.2  | 60 | 83 | 44 | 77.5 | 94 |
| DX <sup>3</sup> RCBO - type AC              | 70   | -    | -    | 71.2 | -    | -    | 142.4 | 60 | 83 | 44 | 76   | 94 |
| DX <sup>3</sup> RCBO - type AC (DP 2 mod.)  | 70   | -    | -    | 35.6 | -    | -    | -     | 60 | 83 | 44 | 76   | 94 |
| DX <sup>3</sup> RCBO - type Hpi (DP 2 mod.) | 70   | -    | -    | 35.6 | -    | -    | -     | 60 | 83 | 44 | 76   | 94 |
| Auxiliary contacts                          | 70   |      |      |      | 8.7  |      |       | 60 | 83 | 44 | 76   | 83 |
| Auxiliary contacts                          | 70   |      |      |      | 17.7 |      |       | 60 | 83 | 44 | 76   | 83 |
| Shunt trip                                  | 70   |      |      |      | 17.7 |      |       | 60 | 83 | 44 | 76   | 83 |
| Minimum voltage trip                        | 70   |      |      |      | 17.7 |      |       | 60 | 83 | 44 | 76   | 83 |
| POP over voltage                            | 74   |      |      |      | 54   |      |       | 74 | 83 | 44 | 80.5 | 89 |
| Remote control for MCB / RCBO               | 74   |      |      |      | 54   |      |       | 74 | 83 | 44 | 80.5 | 89 |
| Lexic contactors 20 A                       | 62   |      |      |      | 17.8 |      |       | 60 | 83 | 44 | 67.5 | -  |
| Lexic contactors 40 A (2 mod.)              | 60   |      |      |      | 35.6 |      |       | 61 | 80 | 44 | 67   | -  |
| Lexic contactors 40 A / 63 A (3 mod.)       | 60   |      |      |      | 54   |      |       | 61 | 80 | 44 | 67   | -  |