

RCCBs - DX³-ID

residual current circuit breakers 16 A to 100 A - AC, A, Hpi and B types



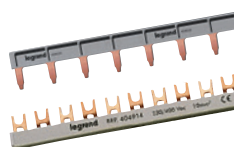
4 115 25



4 117 05



4 117 60



Technical characteristics **see e-catalogue**

Conform to IEC 61008 - 1

- Compatible with prong-type and fork type supply busbars
- AC type : detect sinusoidal AC residual currents
- A type : detect sinusoidal AC and pulsating DC residual currents
- Hpi type (High immunity) **Hpi**: detect AC and pulsating DC residual currents
Enhanced immunity to unwanted tripping in disturbed environments
- B type : detect sinusoidal AC, pulsating DC and smooth DC residual currents

Can be equipped with DX³ signalling and remote tripping auxiliaries and motorised controls (p. 64)

Pack	Cat.Nos	2-pole 230 V \sim		
		AC type		
		Sensitivity (mA)	Nominal Rating In (A)	Number of modules
1	4 115 00	10	16	2
1	4 115 04	30	25	2
1	4 115 05	30	40	2
1	4 115 06	30	63	2
1	4 115 07	30	80	2
1	4 115 08	30	100	2
1	4 115 14	100	25	2
1	4 115 15	100	40	2
1	4 115 16	100	63	2
1	4 115 17	100	80	2
1	4 115 24	300	25	2
1	4 115 25	300	40	2
1	4 115 26	300	63	2
1	4 115 27	300	80	2
1	4 115 28	300	100	2
1	4 115 37	100 selective	100	2
1	4 115 43	300 selective	63	2
		A type		
1	4 115 50	10	16	2
1	4 115 54	30	25	2
1	4 115 55	30	40	2
1	4 115 56	30	63	2
1	4 115 57	30	80	2
1	4 115 69	300	25	2
1	4 115 70	300	40	2
1	4 115 71	300	63	2
1	4 115 72	300	80	2
		Hpi type Hpi		
1	4 115 90	30	25	2
1	4 115 91	30	40	2
1	4 115 92	30	63	2
		B type		
		Can be equipped with dedicated auxiliary contact Cat. No 4 062 59 (p. 64)		
1	4 118 42	30	40	4
1	4 118 43	30	63	4
1	4 118 44	300	40	4
1	4 118 45	300	63	4

Pack	Cat.Nos	4-pole - 400 V \sim - neutral on right-hand side			
		AC type			
		Vis/vis	Sensitivity (mA)	In (A)	Number of modules
1	4 117 02		30	25	4
1	4 117 03		30	40	4
1	4 117 04		30	63	4
1	4 117 05		30	80	4
1	4 117 12		100	25	4
1	4 117 13		100	40	4
1	4 117 14		100	63	4
1	4 117 15		100	80	4
1	4 117 22		300	25	4
1	4 117 23		300	40	4
1	4 117 24		300	63	4
1	4 117 25		300	80	4
1	4 117 45		300 selective	40	4
1	4 117 46		300 selective	63	4
1	4 117 32		500	25	4
1	4 117 33		500	40	4
1	4 117 34		500	63	4
1	4 117 35		500	80	4
		A type			
1	4 117 59		30	25	4
1	4 117 60		30	40	4
1	4 117 61		30	63	4
1	4 117 62		30	80	4
1	4 117 63		30	100	4
1	4 117 69		100	25	4
1	4 117 70		100	40	4
1	4 117 71		100	63	4
1	4 117 72		100	80	4
1	4 117 73		100	100	4
1	4 117 79		300	25	4
1	4 117 80		300	40	4
1	4 117 81		300	63	4
1	4 117 82		300	80	4
1	4 117 83		300	100	4
1	4 118 00		300 selective	40	4
1	4 118 01		300 selective	63	4
1	4 117 89		500	25	4
1	4 117 90		500	40	4
1	4 117 91		500	63	4
1	4 117 92		500	80	4
1	4 117 93		500	100	4
		B type			
		Can be equipped with dedicated auxiliary contact Cat. No 4 062 59 (p. 64)			
1	4 118 46		30	40	4
1	4 118 47		30	63	4
1	4 118 48		300	40	4
1	4 118 49		300	63	4

Auxiliaries, accessories and remote control **p. 64**



Isolating switches DX³-IS

technical characteristics

DX³-IS remote trip head isolating switches

Electrical characteristics

Thermal rating (Ith)	40 - 63 A 1 module/pole	100 - 125 A 1.5 module/pole
Terminals	Cage	Cage
Connection	flexible	1.5 to 25 mm ²
	rigid	1.5 to 35 mm ²
Insulation voltage (Ui)	500 V ~	500 V ~
Impulse withstand voltage (Uimp)	6 kV	6 kV
Category of use ⁽¹⁾	AC 22A / AC 23A	100 A = AC 22A / AC 23A 125 A = AC 22A
Short time withstand current (Icw)	1000 A during 1 s 1700 A during 0.5 s	1000 A during 1 s 1500 A during 0.5 s
Short-circuit making capacity (Icm)	3000 A	1500 A
No. of electrical operations	15000	10000
Protection index	IP 2X wired	IP 2X wired

(1) test conditions according to IEC 60947-3
AC 22 A: combined motor/resistor breaking with frequent operations
AC 23 A: inductive motor breaking at In/2 with frequent operations

DX³-IS isolating switches

Electrical characteristics

Thermal rating (Ith)	16 - 40 A 0.5 module/pole	40 - 63 A 1 module/pole	100 - 125 A 1 module/pole
Terminals	Cage	Cage	Cage
Connection	flexible	1.5 to 10 mm ²	4 to 35 mm ²
	rigid	1.5 to 16 mm ²	4 to 50 mm ²
Insulation voltage (Ui)	500 V ~	500 V ~	500 V ~
Impulse withstand voltage (Uimp)	6 kV	6 kV	6 kV
Category of use ⁽¹⁾	AC 22 A	AC 22 A	AC 22 A
Short time withstand current (Icw)	750 A	2000 A	2500 A
Short-circuit making capacity (Icm)	1500 A	3000 A	3700 A
No. of electrical operations	30000	20000	5000
Protection index	IP 2X wired	IP 2X wired	IP 2X wired

(1) test conditions according to IEC 60947-3
AC 22 A: combined motor/resistor breaking with frequent operations

RCCBs DX³-ID

technical characteristics

DX³-ID - RCCBs (residual current circuit breakers)

Connection cross-section

RCCBs	Cable (mm ²)	
	Rigid	Flexible
Connection at top and bottom	50	35

AC type - Standard applications

AC type RCCBs detect sinusoidal AC residual currents. In the majority of cases (standard applications), they are used for AC current detection at 50 Hz.

A type - Specific applications: dedicated lines

In addition to the characteristics of AC type RCCBs, A type RCCBs also detect pulsating DC residual currents. They are used whenever fault currents are not sinusoidal. They are particularly suitable for the following specific applications: hobs, washing machines or materials that may produce DC fault currents, speed drives with frequency inverters, etc.

B type - Specific applications: dedicated lines

In addition to the characteristics of A type RCCBs, B type RCCBs also detect smooth DC residual currents. They are used whenever fault currents are not sinusoidal. They are particularly suitable for the following specific applications: speed drives and inverters for supplying motors for pumps, lifts, textile machines, machine tools, photovoltaic installations, call centres, medical equipment, etc.

Hpi type - Special applications

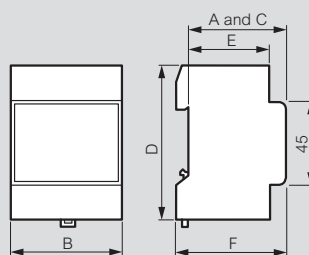
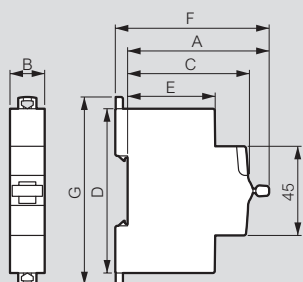
Type Hpi RCCBs are devices which offer additional immunity to unwanted tripping which significantly exceeds the level required by the standard. They are also able to detect AC and DC residual currents (A type). Operation between - 25 °C and + 40 °C. They are used in special applications where:

- Loss of information is potentially damaging, e.g. power supply lines for computer equipment (banks, equipment on military bases, flight reservation centres, etc.)
- Loss of operation is potentially damaging (automated machinery, medical equipment, freezer cable, etc.)

They are also used:

- On sites where there is an increased risk of lightning strikes (see p. 66)
- On sites where cables are subject to high levels of interference (use of fluorescents, etc.)
- On sites where very long cables are used

Dimensions of din-rail equipment



Product	A		B				C	D	E	F	G
	1P	1P+ N	2P	3P	4P						
RX³ MCBs	71.7	17.7	35.4	35.4	53.1	70.8	61	83	44	77.8	88.9
RX³ RCCBs	71.7			35.6		71.2	61	83	44	77.8	88.9
TX³ MCBs	71.7	17.7	35.4	35.4	53.1	70.8	61	83	44	77.8	88.9
TX³ RCCBs	71.7			35.6		71.2	61	83	44	77.8	88.9
Isolating switches DX³	71.7	17.8		17.8/ 35.4	35.6/ 53.1	70.8	61	83	44	77.8	94.8
Remote trip head isolating switches DX³ up to 63A - 1 mod/pole	71.7			35.4	53.1	70.8	61	83	44	77.9	94.8
Remote trip head isolating switches DX³ 100/125A - 1.5 mod/pole	73				80.1	106.8	61	96	47	79	104.3
DX³ RCCBs	71.7			35.6		71.2	61	83	44	77.8	94.8
1P DX³ RCBOs (up to 45A)	68	17.7					60	115	48	74	126.8
1P+N DX³ RCBOs (up to 40A) & 4P (up to 32A)	71.7		35.6			71.2	61	83	44	77.8	94.8
2P & 4P DX³ RCBOs (40A to 63A)	72			71.2		124.6	61	96	44	78.2	107.8
1P+N DX³ MCBs 1 mod	71.7		17.8				61	83	44	77.8	94.8
DX³ MCBs - 1 mod/pole	71.7	17.7	35.4	35.4	53.1	70.8	61	83	44	77.8	94.8
DX³ MCBs - 1,5 mod/pole	73.1	26.7		53.4	80.1	106.8	61	100	47	79	104.3
DX³ add-on modules up to 63A - 1 mod/pole	72			35.6	53.4	53.4	61	96	44	78.2	107.8
DX³ add-on modules up to 63A - 1.5 mod/pole	72			35.6	53.4	53.4	61	96	47	78.2	116.7
DX³ add-on modules 80 to 125A - 1.5 mod/pole	72			71.2	106.8	106.8	61	114	47	78.2	129
DX³ auxiliaries	71.5			8.8 / 17.7			61	83	44	77.7	84.5
DX³ remote control	74.3			17.7 / 35.4			61	83	44	80.5	98.8
DX³ Stop&Go automatic resetting	74.3			35.4			61	83	44	80.5	113.7
Change-over switches	68	17.7		35.6			60	83	44	74	94
CX³ latching relays	64	17.8		17.8	35.6	35.6	61	84.5	44	70.2	94.8
CX³ contactors up to 25A	66.3/ 61	17.8		17.8	35.6	35.6	61	84.5	44	72.6/ 67.3	94.8
CX³ contactors 40A & 63A	62			35.6	53.4	53.4	60	83	44	68	94
Auxiliaries for CX³ contactors and latching relays	61			9/17.8			61	84.5	44	67	84.5
Push-buttons / control switches	68			17.7			60	83	44	74	94
Indicators	68			17.7			60	83	44	69	94
Bells and buzzers	60			17.7			60	76	44	66	85
Light sensitive switches											
Cat.Nos 0 037 21, 4 126 23	60			35.6			60	85	37.5	66	70
Socket outlets	60			44.5			60	83	44	66	92
Time delay relays	60			17.7			60	83	44	66	94
Remote control dimmers											
Cat.No 0 036 58	60			36			60	83	44	66	94
Cat.No 0 036 60	60			72			60	83	44	66	94
Cat.No 0 036 71	60			108			60	83	44	66	94

Description	A	B	C	D	E	F
Programmable time switches						
0 037 05	60	17.8	60	83	44	66
4 127 80/90/94	60	17.8	60	83	44	66
4 127 95, 4 128 12/13	60	53	60	83	44	66
4 126 31/33/41	60	35.6	60	83	44	66
4 126 54/57	60	35.6	60	83	44	66
0 047 70	60	90	60	83	44	66
Transformers and power supplies						
0 042 10/30/31	60	72	60	83	44	66
4 130 91	60	35.8	60	83.5	44	66
4 130 92/93/96	60	71.5	60	83.5	44	66
4 130 98	60	89	60	94	44	66
0 047 91/92	60	105	60	95	44	66
4 131 05/06/07/08	60	89	60	95	44	66
0 047 93	60	70	60	95	44	66
Residual current relay						
0 260 88	60	35.5	60	89	44	66

DX³ RCCBs - ID 2P up to 100 A

Cat. N°(s) : 4 115 00, 04, 05, 06, 07, 08, 14, 15, 16, 17, 24,
4 115 25, 26, 27, 28, 37, 43, 50, 54, 55, 56, 57, 69, 70, 71,
4 115 72, 84, 90, 91, 92

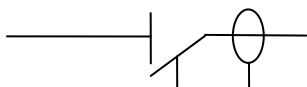


CONTENTS	PAGE
1. Description, use.....	1
2. Range	1
3. Overall dimensions.....	1
4. Preparation - Connection.....	1
5. General characteristics.....	3
6. Compliance and approvals	8
7. Curves.....	9
8. Auxiliaries and accessories	11
9. Safety.....	11

1. DESCRIPTION - USE

RCCBs with positive contact indication for control, protection and isolation of electrical circuits, protecting people from direct and indirect contact and protecting installations from insulation faults.

Symbol:



Technology:

. Electromagnetic residual current function with current-sensing relay

2. RANGE

Polarity:

. 2-pole

Width:

. 2 modules (2 x 17.8 mm)

Nominal rating In:

. 16 / 25 / 40 / 63 / 80 / 100 A

Residual current types:

- . AC (sinusoidal differential alternating currents)
- . A (residual currents with a DC component)
- . AC-S and A-S (discriminating)
- . HPI (immunised against false tripping). HPI products are also A type.

Sensitivity:

. 10 / 30 / 100 / 300 mA

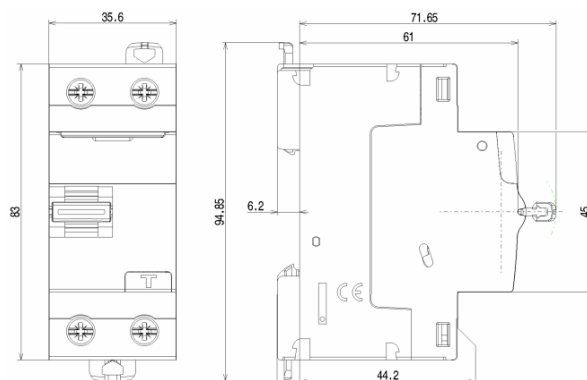
Nominal voltage and frequency:

. 230 V~ / 240 V~, 50 Hz with standard tolerances

Maximum operating voltage:

. 250 V ~, 50 Hz

3. OVERALL DIMENSIONS



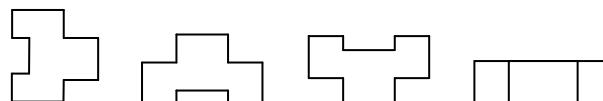
4. PREPARATION - CONNECTION

Mounting:

. On symmetrical rail EN 60715 or DIN 35 rail

Operating positions:

. Vertical Horizontal Upside down On the side



Power supply:

. From the top or the bottom

Connection:

. Inputs and outputs via screw terminals

Terminal arrangement:

- . Cage terminals, with disengageable and captive screws (fitted with flaps preventing a cable being placed under the terminal, with the terminal partly open or closed)
- . Terminals protected against direct finger contact IP20, wired

DX³ RCCBs - ID

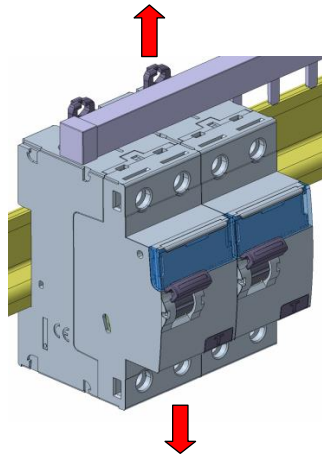
2P up to 100 A

Cat. N°(s) : 4 115 00, 04, 05, 06, 07, 08, 14, 15, 16, 17, 24,
4 115 25, 26, 27, 28, 37, 43, 50, 54, 55, 56, 57, 69, 70, 71,
4 115 72, 84, 90, 91, 92

4. PREPARATION - CONNECTION *(continued)*

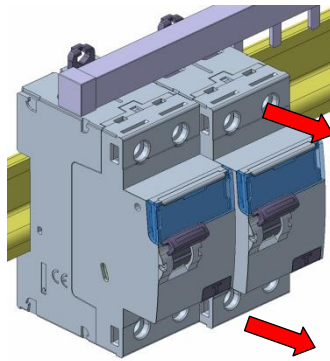
. A circuit breaker may be replaced in the middle of a row supplied with busbars without disconnecting the other products

Put the lugs in the unlocking position

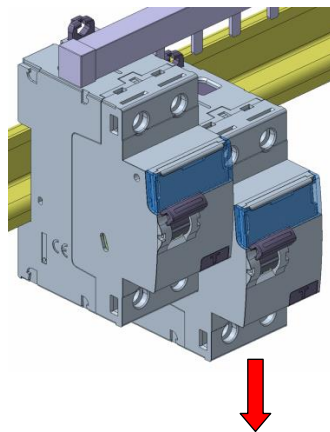


Put the latch clips in the unlocking position

Unscrew the four upper terminals completely



Pull the device forward in order to release it from the rail



Pull the device downward in order to release it completely from the prongs of the busbar

Connection:

- . Terminals protected against direct finger contact IP20, wired device
- . Cage terminals, with disengageable or captive screws
- . Terminals fitted with flaps preventing a cable being placed under the terminal, with the terminal partly open or closed
- . Alignment and spacing of the terminals permitting connection with the other products in the range via toothed supply busbars

4. PREPARATION - CONNECTION *(continued)*

Terminal arrangement: *(continued)*

- . Alignment and spacing of the terminals permitting shutters with the other products via toothed supply busbars
- . Terminal depth: 14 mm
- . Terminal capacity: 60 mm²
- . Screw head: mixed head, slotted head and Philips / Pozidriv no. 2
- . Tightening torques:
 - Minimum / Maximum: 1.2 Nm / 3.5 Nm
 - Recommended: 2.5 Nm

Conductor types:

- . Copper cables at the top and bottom of the product
- Cable cross-section:

	Without ferrule	With ferrule
Rigid cable	1 x 0.75 to 50 mm ² or 2 x 0.75 to 16 mm ²	/
Flexible cable	1 x 0.75 to 35 mm ² or 2 x 0.75 to 16 mm ²	1 x 0.75 to 25 mm ²

Required tools:

- . For the terminals:
 - 5.5 mm / 6.5 mm blade screwdriver recommended
 - Pozidriv n°2 / Philips N°2 screwdriver recommended
- . For the latching:
 - 5.5 mm blade screwdriver recommended / 6 mm maximum
 - Pozidriv n°2 / Philips N°2 screwdriver recommended

Device handling:

- . Manual action via ergonomic 2 position handle:
 - I-On, device closed O-Off, device open

Contact status display:

- . By marking of the handle:
 - I-On, in white on a red background: closed contacts
 - O-Off, in white on a green background: contacts open

Residual current trip display:

- . Handle at the bottom position, the residual current is released

Lockout:

- . Padlocks possible in the open or closed positions with padlock support (Cat. No. 4 063 03) and Ø5 mm padlock (Cat. No. 4 063 13) or Ø6 mm padlock (Cat. No. 227 97)

Sealing:

- . Possible in the open or closed positions

Labelling:

- . Circuit identification by way of a label inserted in the label holder situated on the front of the product



DX³ RCCBs - ID

2P up to 100 A

Cat. N°(s) : 4 115 00, 04, 05, 06, 07, 08, 14, 15, 16, 17, 24,
4 115 25, 26, 27, 28, 37, 43, 50, 54, 55, 56, 57, 69, 70, 71,
4 115 72, 84, 90, 91, 92

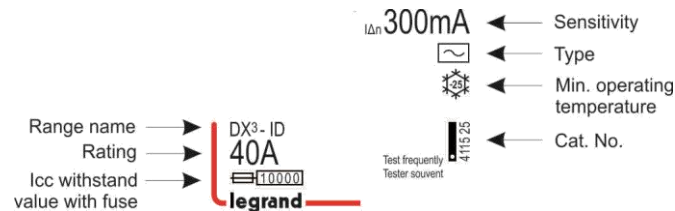
5. GENERAL CHARACTERISTICS

Neutral earthing system:

. IT, TT and TN

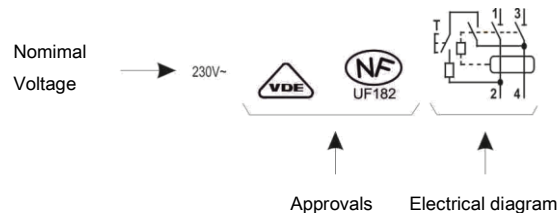
Marking:

. Marking on the "front side": (by permanent ink pad printing)



Marking on the upper panel:

. By permanent ink pad printing



Test operating voltage:

- . 10 mA all types : from 110 V to 250 V~
- . 30 mA, all types: from 180 V to 250 V~
- . 100 mA AC type : from 110 V to 250 V ~
- . 300 mA A / S type : from 110 V to 250 V~
- . 300 mA AC type : from 115 V to 250 V ~
- . 100 mA S type : from 120 V to 250 V ~

Rated conditional short-circuit current:

. I_{nc} = 10 kA, in accordance with EN/IEC 61008-1

Rated conditional short-circuit residual current:

. $I_{\Delta c}$ = 10 kA, in accordance with EN/IEC 61008-1

Rated residual breaking capacity:

. $I_{\Delta m}$ = 1000 A, in accordance with EN/IEC 61008-1

Rated breaking and making capacity:

In accordance with EN/IEC 61008-1,

- . I_n = 16 / 25 / 40 A : I_m = 500 A
- . I_n = 63 A : I_m = 630 A
- . I_n = 80 A : I_m = 800 A
- . I_n = 100 A : I_m = 1,000 A

Protection against overloads:

. The RCCB must be protected against overloads (either upstream or downstream) by a circuit breaker or a fuse which has a maximum of the same nominal current as the residual current switch

DX³ RCCBs - ID

2P up to 100 A

Cat. N°(s) : 4 115 00, 04, 05, 06, 07, 08, 14, 15, 16, 17, 24,
4 115 25, 26, 27, 28, 37, 43, 50, 54, 55, 56, 57, 69, 70, 71,
4 115 72, 84, 90, 91, 92

5. GENERAL CHARACTERISTICS *(continued)*

Protection against short-circuits:

. The RCCB must be protected upstream against short circuits using a circuit breaker or a fuse. Its resistance to short circuits when associated with a Legrand circuit breaker or fuse is compliant with the values stated in the tables below:

. Association with a fuse:

Downstream	Upstream			
RCCB	gG or aM type fuse			
Rating	≤ 50 A	63 A	80 A	≥ 100 A
16 A to 100 A	100 kA	50 kA	15 kA	10 kA

. Association with a circuit breaker:

		Upstream circuit breaker			
		DX ³ 4500 / 6 kA P+N 1 mod	DX ³ 4500 / 6 kA 3P / 4P 3 mod	DX ³ 6000 / 10 kA P+N 1 mod	DX ³ 6000 / 10 kA
Downstream RCCB	Curves	C	C	B & C	B, C & D
	In	≤ 40 A	≤ 32 A	≤ 40 A	≤ 63 A
2P - 230 V~	16 A à 100 A	6 kA	10 kA	10 kA	16 kA

		Upstream circuit breaker				
		DX ³ 10000 / 16 kA P+N 1 mod	DX ³ 10000 / 16 kA	DX ³ 25 kA	DX ³ 36 kA	DX ³ 50 kA
Downstream RCCB	Curves	C	B, C & D	B, C & D	C	B, C & D
	In	≤ 20 A	≤ 125 A	≤ 125 A	≤ 80 A	≤ 63 A
2P - 230 V~	16 A à 100 A	16 kA	25 kA	36 kA	50 kA	70 kA

		Upstream circuit breaker			
		DPX ³ 160 / DPX ³ 160 + residual current			
		16 kA	25 kA	36 kA	50 kA
Downstream RCCB	In	≤ 160 A	≤ 160 A	≤ 160 A	≤ 160 A
	2P - 230 V~	16 A à 100 A	25 kA	36 kA	36 kA

DX³ RCCBs - ID

2P up to 100 A

Cat. N°(s) : 4 115 00, 04, 05, 06, 07, 08, 14, 15, 16, 17, 24,
4 115 25, 26, 27, 28, 37, 43, 50, 54, 55, 56, 57, 69, 70, 71,
4 115 72, 84, 90, 91, 92

5. GENERAL CHARACTERISTICS (continued)

Protection against short circuits (continued):

. Association with circuit breakers: case of a double fault, in IT system – Resistance to the lcc of a single pole

Downstream RCCB	Circuit breaker upstream		
	DNX ³ P+N 1 mod	DX ³ P+N 1 mod	DX ³ 3P / 4P 3 mod
	4500 A / 6 kA		
At 230 V	4,5 kA	4,5 kA	4,5 kA
At 400 V	1,5 kA	1,5 kA	3 kA

Downstream RCCB	Circuit breaker upstream		
	DX ³ P+N 1 mod	DX ³ 3P / 4P 3 mod	DX ³ 1P / 2P / 3P / 4P
	6000 A / 10 kA		
At 230 V	4,5 kA	6 kA	10 kA
At 400 V	3 kA	3 kA	3 kA

Downstream RCCB	Circuit breaker upstream				
	DX ³ P+N 1 mod	DX ³ 1P / 2P / 3P / 4P	DX ³ 1P / 2P / 3P / 4P	DX ³ 1P / 2P / 3P / 4P	DX ³ 1P / 2P / 3P / 4P
	10000 A / 16 kA		25 kA	36 kA	36 kA
At 230 V	6 kA	16 kA	25 kA	36 kA	50 kA
At 400 V	3 kA	4 kA	6,25 kA	9 kA	12,5 kA

DX³ RCCBs - ID

2P up to 100 A

Cat. N°(s) : 4 115 00, 04, 05, 06, 07, 08, 14, 15, 16, 17, 24,
4 115 25, 26, 27, 28, 37, 43, 50, 54, 55, 56, 57, 69, 70, 71,
4 115 72, 84, 90, 91, 92

5. GENERAL CHARACTERISTICS *(continued)*

Power dissipated by the device:

RCCB		Power dissipated by the device (In)				
In	Sensibilité	AC type	A type	AC-S type	A-S type	A-HPI type
16 A	10 mA	0,8 W	0,8 W			
25 A	30 mA	1,6 W	1,5 W			0,5 W
25 A	100 mA	0,5 W				
25 A	300 mA	0,5 W	0,5 W			
40 A	30 mA	4 W	4 W			1,2 W
40 A	100 mA	1,3 W				
40 A	300 mA	1,3 W	1,3 W			
63 A	30 mA	3,1 W	3,1 W			3 W
63 A	100 mA	3,1 W				
63 A	300 mA	3,1 W	3,1 W	3 W	3 W	
80 A	30 mA	5 W	5 W			
80 A	100 mA	5 W				
80 A	300 mA	5 W	5 W			
100 A	30 mA	7,5 W				
100 A	100 mA			7,5 W		
100 A	300 mA	7,5 W				

Temperature derating:

. Reference temperature: 30°C in accordance with standard IEC/EN 61008-1

In (A)	Ambient Temperature/In								
	- 25°C	- 10°C	0°C	10°C	20°C	30°C	40°C	50°C	60°C
16 A	16	16	16	16	16	16	16	16	16
25 A	25	25	25	25	25	25	25	25	25
40 A	40	40	40	40	40	40	40	25	25
63 A	63	63	63	63	63	63	63	40	40
80 A	80	80	80	80	80	80	80	63	63
100 A	100	100	100	100	100	100	100	80	80

DX³ RCCBs - ID

2P up to 100 A

Cat. N°(s) : 4 115 00, 04, 05, 06, 07, 08, 14, 15, 16, 17, 24,
4 115 25, 26, 27, 28, 37, 43, 50, 54, 55, 56, 57, 69, 70, 71,
4 115 72, 84, 90, 91, 92

5. GENERAL CHARACTERISTICS (continued)

Weight per device:

Référence	Catalogue Number	Weight (kg)
411 500	16 A AC type 10 mA	0,18
411 504	25 A AC type 30 mA	0,19
411 505	40 A AC type 30 mA	0,19
411 506	63 A AC type 30 mA	0,22
411 507	80 A AC type 30 mA	0,22
411 508	100 A AC type 30 mA	0,20
411 514	25 A AC type 100 mA	0,22
411 515	40 A AC type 100 mA	0,22
411 516	63 A AC type 100 mA	0,22
411 517	80 A AC type 100 mA	0,22
411 524	25 A AC type 300 mA	0,18
411 525	40 A AC type 300 mA	0,18
411 526	63 A AC type 300 mA	0,19
411 527	80 A AC type 300 mA	0,18
411 528	100 A AC type 300 mA	0,19
411 537	100 A AC-S type 100 mA	0,20
411 543	63 A AC-S type 300 mA	0,21
411 550	16 A A type 10 mA	0,19
411 554	25 A A type 30 mA	0,22
411 555	40 A A type 30 mA	0,22
411 556	63 A A type 30 mA	0,22
411 557	80 A A type 30 mA	0,21
411 569	25 A A type 300 mA	0,19
411 570	40 A A type 300 mA	0,19
411 571	63 A A type 300 mA	0,19
411 572	80 A A type 300 mA	0,19
411 584	63 A A-S type 300 mA	0,22
411 590	25 A HPI type 30 mA	0,21
411 591	40 A HPI type 30 mA	0,21
411 592	63 A HPI type 30 mA	0,21

5. GENERAL CHARACTERISTICS (continued)

Packaged volume and quantity:

	Volume (dm ³)	Packaging
For all catalogue numbers	0.35	per unit

Isolation distance: (distance between the contacts)

- . Handle in open position - O-Off:
Greater than 4.5 mm

Rated insulation voltage:

- . U_i = 250 V

Insulation resistance:

- . 2 MΩ

Degree of pollution:

- . 2

Dielectric strength:

- . 2000 V - 50 Hz

Impulse withstand voltage:

- . U_{imp} = 4 kV

Protection from false tripping:

- . 0.5 μs/100 kHz damped recurring wave = 200 A
- . 8/20 μs wave:
 - A / AC type = 250 A
 - AC-S / A-S and Hpi type = 3000 A

Protection classes:

- . Terminals protected against direct contact:
 - IP20 (wired device)
- . Front side protected against direct contact:
 - IP40
- . Class II in relation to metallic conductive parts
- . Protection against impacts:
 - IK04

Plastic materials used:

- . Parts made of polyamide and P.B.T.

Enclosure heat and fire resistance:

- . Resistance to incandescent wire tests at 960°C, in accordance with standard IEC/EN 61008-1
- . Classification V2, in accordance with standard UL94

Device's upper heating value:

- . Estimated heating value of a 25 or 40A 30mA AC device:
2.41 MJ

Handle opening and closing forces:

- . Force of 23 N for closing - (all ratings)
- . Force of 8 N for opening - (all ratings)

DX³ RCCBs - ID

2P up to 100 A

Cat. N°(s) : 4 115 00, 04, 05, 06, 07, 08, 14, 15, 16, 17, 24,
4 115 25, 26, 27, 28, 37, 43, 50, 54, 55, 56, 57, 69, 70, 71,
4 115 72, 84, 90, 91, 92

5. GENERAL CHARACTERISTICS (continued)

Mechanical endurance:

- . Conforms to standard NF EN 61008-1
- . Tested with 20,000 operations with no load

Electrical endurance:

- . Conforms to standard NF EN 61008-1
- . Tested with 10,000 operations with load (at $I_n \times \cos \varphi 0.9$)
- . Tested with 2,000 residual current trip operations using the test button or the fault current

Operating ambient temperature:

- . - 25°C / + 60°C

Storage temperature:

- . - 40°C / + 70°C

Specific use:

Appropriate to operate in humid atmosphere and polluted by a chlorinated environment (pool-type)

Derating of RCCBs function of the number of devices placed side by side:

When several RCCBs are installed side by side and operate simultaneously, the heat dissipation of one pole is limited. This results in an increased operating temperature for the RCCBs which may cause false tripping. Applying the following coefficients to the operating currents is recommended.

Number of circuit breakers side by side	Coefficient
2 - 3	0.9
4 - 5	0.8
6 - 9	0.7
≥ 10	0.6

These values are provided by recommendation IEC 60439-1 and the standards NF C 63421 and EN 60439-1.

In order to avoid having to use these coefficients there must be good ventilation and the devices must be kept apart using the spacing elements Cat. No. 4 063 07 (0.5 module).

Impact of height:

	2,000 m	3,000 m	4,000 m	5,000 m
Dielectric strength	2,000 V	2,000 V	2,000 V	1,500 V
Maximum operating voltage	400 V	400 V	400 V	400 V
Derating at 30°C	none	none	none	none

5. GENERAL CHARACTERISTICS (continued)

DC operation:

- . Cannot be used with DC

Operation at 400 Hz:

- . Cannot be used at 400 Hz

Operation at 60 Hz:

Can be used at 60Hz, except ratings 63A/80A, A and AC types, with sensitivity 30mA, which can be replaced by HPI types of equivalent ratings and sensitivity.

Resistance to sinusoidal vibrations: (in accordance with IEC 68.2.6)

- . Axes: x / y / z
- . Frequency: 10 to 55 Hz
- . Acceleration: 3 g (1 g = 9.81 m.s⁻²)

Resistance to tremors :

- . Conforms to standard NF EN 61008-1

6. COMPLIANCE AND APPROVALS

Reference product standards:

- . NF EN 61008-1/IEC 61008-1
- . EN/IEC 60 529 (IP)

Environment:

- . Compliance with European Union Directives
- . Compliance with Directive 2002/95/EC of 27/01/03 known as "RoHS" which provides for a restriction on the use of dangerous substances such as lead, mercury, cadmium, hexavalent chromium and polybrominated biphenyl (PBB) and polybrominated diphenyl ether (PBDE) brominated flame retardants from 1st July 2006
- . Compliance with the Directive 91/338/EEC of 18/06/91 and decree 94-647 of 27/07/94

Usage in special conditions:

- . Category C compliant (testing temperature of -25°C to +70°C, resistant to salt spray) in accordance with the classification defined in Appendix Q of standard IEC/EN 60947-1

Plastic materials:

- . Zero halogen plastic materials.
- . Labelling compliant with ISO 11469 and ISO 1043.

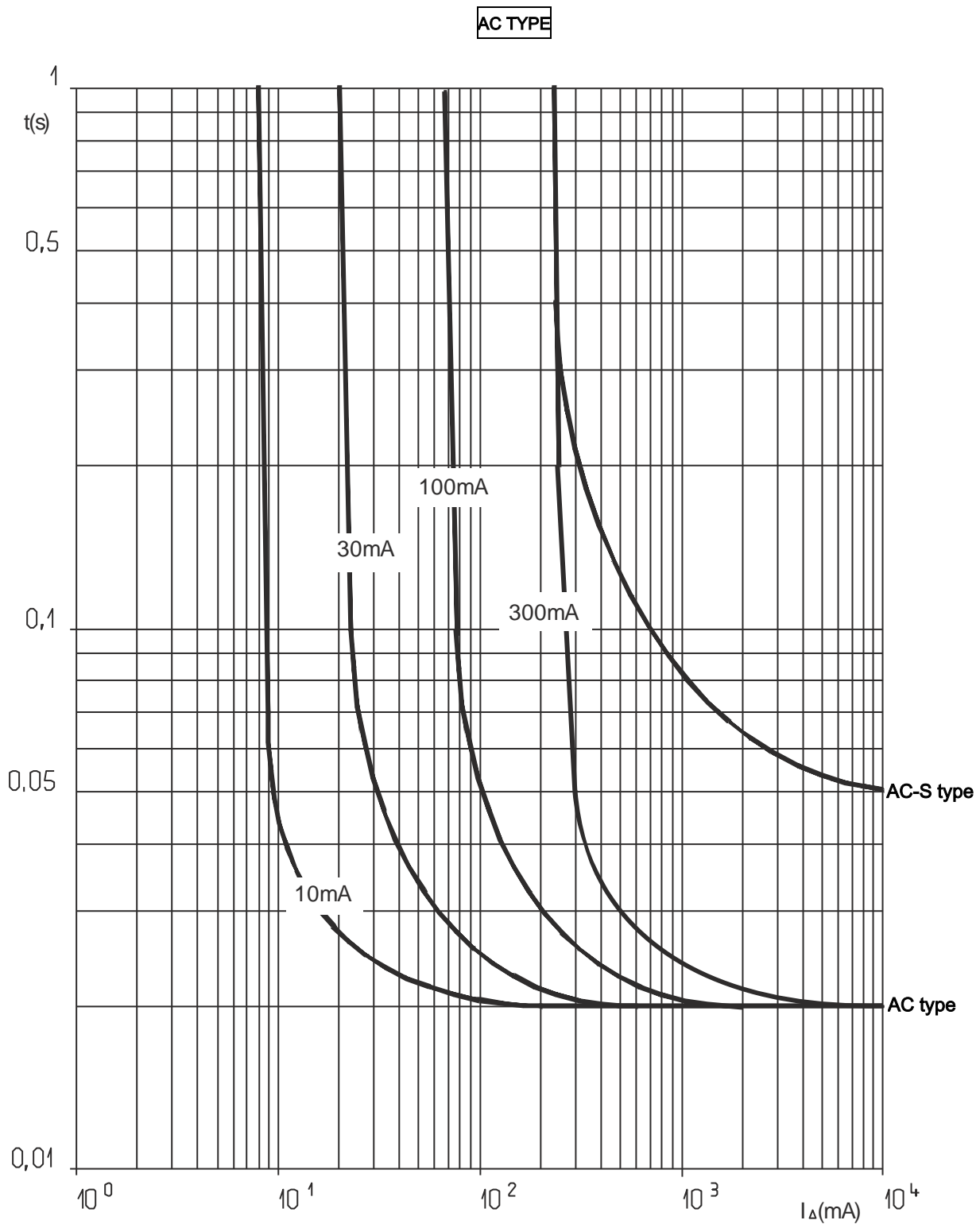
Packaging:

- . Design and manufacture of packaging compliant with decree 98-638 of 20/07/98 and Directive 94/62/EC

7. CURVES

Tripping current curves:

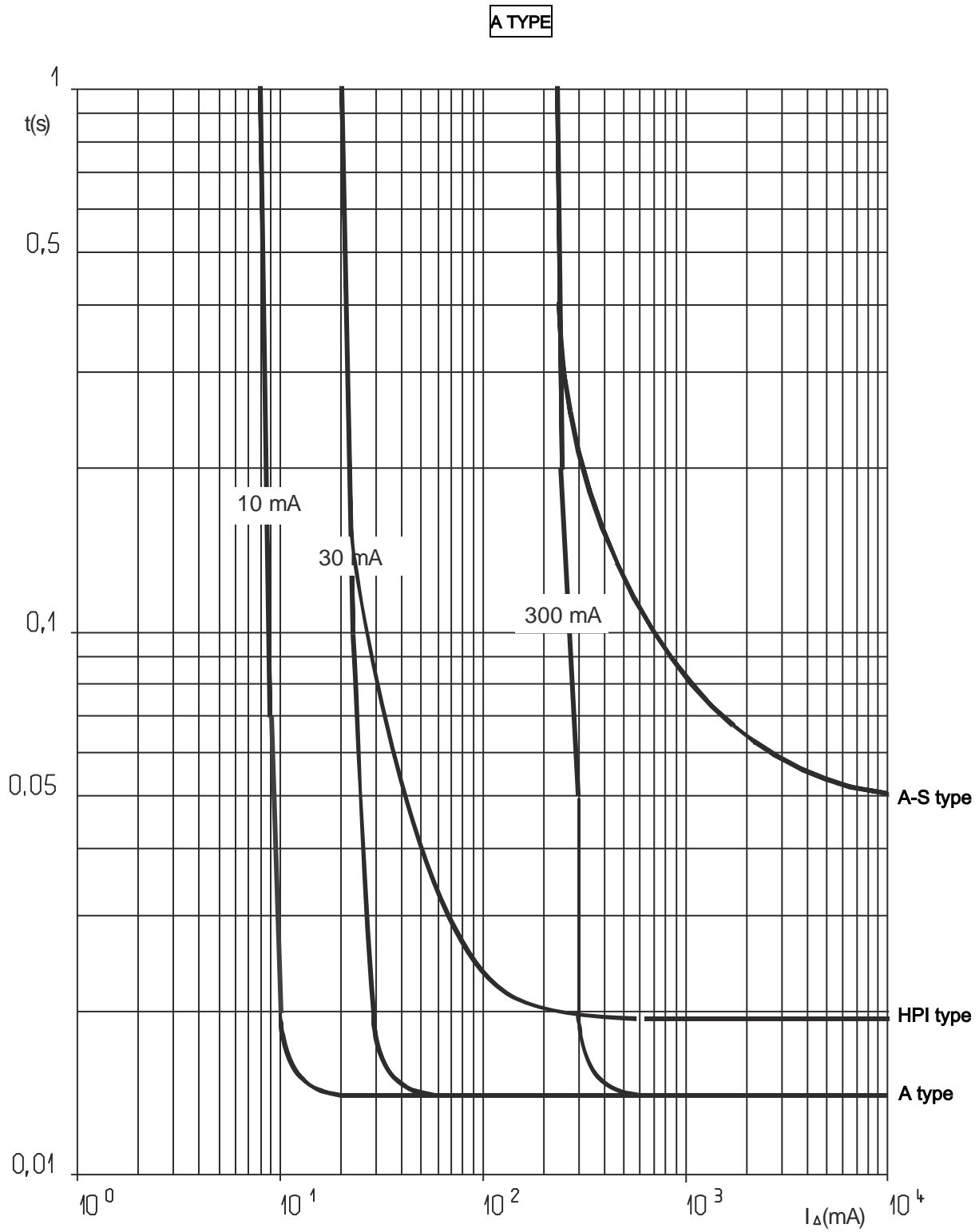
. Tripping time curve depending on the value of the fault current:



7. CURVES (continued)

Tripping current curves:

. Tripping time curve depending on the value of the fault current:



DX³ RCCBs - ID

2P up to 100 A

Cat. N°(s) : 4 115 00, 04, 05, 06, 07, 08, 14, 15, 16, 17, 24,
4 115 25, 26, 27, 28, 37, 43, 50, 54, 55, 56, 57, 69, 70, 71,
4 115 72, 84, 90, 91, 92

8. AUXILIARIES AND ACCESSORIES

Wiring accessories:

- . Sealable screw cover (Cat. No. 4 063 04)
- . Supply busbar:
 - HX³ 2-pole supply busbar
- . Terminal for aluminium cable with max. 50 mm² cross-section (Cat. No. 4 063 10)

Signalling auxiliaries:

- . Auxiliary contact (0.5 module, Cat. No. 4 062 58)
- . Fault signalling contact (0.5 module, Cat. No. 4 062 60)
- . Auxiliary contact that can be changed into fault signalling contact (0.5 module, Cat. No. 4 062 62)
- . Auxiliary contact + fault signalling contact that can be changed into 2 auxiliary contacts (1 module, Cat. No. 4 062 66)

Control auxiliaries:

- . Shunt trip (1 module, Cat. No. 4 062 76, 2 78)
- . Undervoltage release (1 module, Cat. No. 4 062 80, 2 82)
- . Stand-alone release for N/C push-button (1.5 module, Cat. No. 4 062 87)

Motorised controls:

- . Motor-driven control (1 module, Cat. No. 4 062 91)
- . Motor-driven control with integrated automatic reset (2 modules, Cat. Nos. 4 062 93, 2 95)

Possible combinations of auxiliaries and RCCBs:

- . The auxiliaries are installed to the left of the RCCBs
- . Maximum number of auxiliaries = 3
- . Maximum number of 1 module signalling auxiliaries = 2
- . Maximum number of control auxiliaries (Cat. Nos. 4 062 76 to 4 062 87) = 1
- . The control auxiliary (trip Cat. Nos. 4 062 76 to 4 062 87) must mandatorily be placed to the left of the signalling auxiliaries (Cat. Nos. 4 062 58 to 4 062 66) where the auxiliaries from these 2 families are connected to the same RCCB

Sealing:

- . Possible in the open or closed positions

Lockout possibilities:

- . Via Ø 5 mm padlock (Cat. No. 4 063 13) or Ø 6 mm padlock (Cat. Nos. 0 227 97) and padlock support (Cat. No. 4 063 03)

Installation software:

- . XL PRO³

9. SAFETY

. For your safety your electrical installation is equipped with residual current protection and this must be tested periodically. In the absence of any national regulations on the time period required for this, Legrand recommends that this test be carried out every month: press the "T" test button, the device should trip. Please call an electrician immediately if this does not happen as your installation's safety level has been reduced

. The presence of residual current protection does not remove the need to observe all the precautions associated with using electrical energy