

## DX<sup>3</sup> isolators

ISs for AC applications upto 125A



## DX<sup>3</sup> RCCBs

RCCBs for AC applications upto 63 A



4065 00



4065 10



4065 20



4118 51



4118 77



4118 93

Technical characteristics p. 45

Isolators for AC applications upto 125 A  
 ISI marked as per IEC 60947-3  
 Integrated label holder  
 Ergonomic red color dolly  
 Sliding bottom clamp  
 Double break mechanism  
 Improved air channels  
 Color coded On/Off indication on dolly  
 Biconnect lower terminals  
 IP 20 protected terminals  
 Sliding shutters

Technical characteristics p. 46-51

ISI marked as per IS 12640-1  
 Integrated label holder  
 Ergonomic Grey color dolly  
 Sliding bottom clamp  
 Color coded On/Off indication on dolly  
 Biconnect lower terminals  
 IP 20 protected terminals  
 35 sq mm terminals  
 Sliding shutters

| Pack   | Cat.Nos        | Isolators                            |                   |
|--------|----------------|--------------------------------------|-------------------|
|        |                | <b>2 pole 415 V<math>\sim</math></b> |                   |
|        |                | Nominal rating In (A)                | Number of modules |
| 1/5/60 | <b>4065 00</b> | 32                                   | 2                 |
| 1/5/60 | <b>4065 01</b> | 40                                   | 2                 |
| 1/5/60 | <b>4065 02</b> | 63                                   | 2                 |
| 1/5/60 | <b>4065 04</b> | 100                                  | 2                 |
| 1/5/60 | <b>4065 05</b> | 125                                  | 2                 |
|        |                | <b>3 pole 415 V<math>\sim</math></b> |                   |
| 1/40   | <b>4065 09</b> | 32                                   | 3                 |
| 1/40   | <b>4065 10</b> | 40                                   | 3                 |
| 1/40   | <b>4065 11</b> | 63                                   | 3                 |
| 1/40   | <b>4065 13</b> | 100                                  | 3                 |
| 1/40   | <b>4065 14</b> | 125                                  | 3                 |
|        |                | <b>4 pole 415 V<math>\sim</math></b> |                   |
| 1/32   | <b>4065 18</b> | 32                                   | 4                 |
| 1/32   | <b>4065 19</b> | 40                                   | 4                 |
| 1/32   | <b>4065 20</b> | 63                                   | 4                 |
| 1/32   | <b>4065 22</b> | 100                                  | 4                 |
| 1/32   | <b>4065 23</b> | 125                                  | 4                 |

| Pack   | Cat.Nos        | DX <sup>3</sup> RCCBs                     |                       |
|--------|----------------|---|-----------------------|
|        |                | <b>2 pole 240 V<math>\sim</math></b>      |                       |
|        |                | <b>30 mA</b>                              | Nominal rating In (A) |
| 1/5/60 | <b>4118 51</b> | 25  | 2                     |
| 1/5/60 | <b>4118 52</b> | 40  | 2                     |
| 1/5/60 | <b>4118 53</b> | 63  | 2                     |
|        |                | <b>100 mA</b>                             |                       |
| 1/5/60 | <b>4118 56</b> | 25  | 2                     |
| 1/5/60 | <b>4118 57</b> | 40  | 2                     |
| 1/5/60 | <b>4118 58</b> | 63  | 2                     |
|        |                | <b>300 mA</b>                             |                       |
| 1/5/60 | <b>4118 61</b> | 25  | 2                     |
| 1/5/60 | <b>4118 62</b> | 40  | 2                     |
| 1/5/60 | <b>4118 63</b> | 63  | 2                     |
|        |                | <b>4 pole 415 V<math>\sim</math></b>      |                       |
|        |                | <b>30 mA</b>                              |                       |
| 1/32   | <b>4118 76</b> | 25  | 4                     |
| 1/32   | <b>4118 77</b> | 40  | 4                     |
| 1/32   | <b>4118 78</b> | 63  | 4                     |
|        |                | <b>100 mA</b>                             |                       |
| 1/32   | <b>4118 81</b> | 25  | 4                     |
| 1/32   | <b>4118 82</b> | 40  | 4                     |
| 1/32   | <b>4118 83</b> | 63  | 4                     |
|        |                | <b>300 mA</b>                             |                       |
| 1/32   | <b>4118 86</b> | 25  | 4                     |
| 1/32   | <b>4118 87</b> | 40  | 4                     |
| 1/32   | <b>4118 88</b> | 63  | 4                     |
|        |                | <b>4 pole 415 V<math>\sim</math>, A-S</b> |                       |
|        |                | <b>300 mA</b>                             |                       |
| 1/5/60 | <b>4118 91</b> | 25  | 4                     |
| 1/5/60 | <b>4118 92</b> | 40  | 4                     |
| 1/5/60 | <b>4118 93</b> | 63  | 4                     |
|        |                | <b>2 pole 240 V<math>\sim</math>, HPI</b> |                       |
|        |                | <b>30 mA</b>                              |                       |
| 1/5/60 | <b>4118 71</b> | 25  | 2                     |
| 1/5/60 | <b>4118 72</b> | 40  | 2                     |
| 1/5/60 | <b>4118 73</b> | 63  | 2                     |
|        |                | <b>4 pole 415 V<math>\sim</math>, HPI</b> |                       |
|        |                | <b>30 mA</b>                              |                       |
| 1/32   | <b>4118 96</b> | 25  | 4                     |
| 1/32   | <b>4118 97</b> | 40  | 4                     |
| 1/32   | <b>4118 98</b> | 63  | 4                     |

## DX<sup>3</sup> RCDS

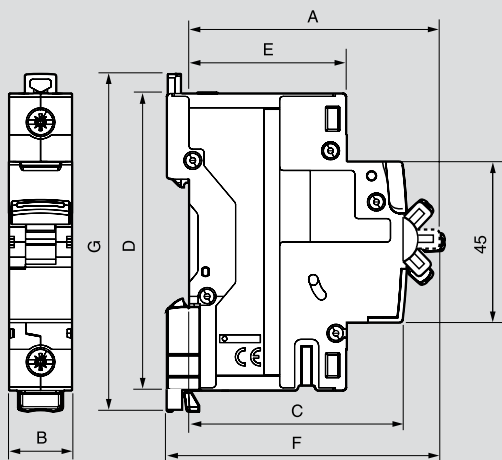
technical data for DX<sup>3</sup> RCDs

|  | RCCB  |   |  |
|--|---|---|--|
|  | Type AC   | Type A-S  | Type Hpi   |
| <b>Specification</b>   | IS 12640 (part 1) 2008<br>IEC 61008 - 1   | IEC 61008 - 1<br>EN 61008 - 1   | EN 61008 - 1<br>IEC 61008 - 1  |
| <b>No. of modules</b>  | - Double pole<br>- Four pole  | 2<br>4  | 2<br>4   |
| <b>Electrical characteristics</b>  |   |   |  |
| <b>Nominal rating I<sub>n</sub> (A)</b>                                  | - Double pole<br>- Four pole  | 25, 40, 63, 80, 100<br>25, 40, 63, 80, 100  | 63, 80<br>25, 40, 63, 80   |
| <b>Rated sensitivity (mA)</b>  | - Double pole<br>- Four pole  | 30, 100, 300<br>30, 100, 300  | 300<br>300   |
| <b>Rated frequency (Hz)</b>  |   | 50 / 60   | 50 / 60  |
| <b>Rated operating voltage U<sub>e</sub> (V AC)</b>                      | - Double pole<br>- Four pole  | 230<br>230 / 415  | 230<br>400   |
| <b>Minimum operating voltage (V AC)</b>                                  |   | 12  | 12   |
| <b>Minimum operating voltage for test button (V AC)<sup>(1)</sup></b>    |   |   |  |
|  | - Double pole<br>- Four pole  | 170<br>196  | 170<br>196   |
| <b>Rated insulation voltage U<sub>i</sub> (V AC)</b>                     | - Double pole<br>- Four pole  | 250<br>500  | 250<br>500   |
| <b>Rated impulse withstand voltage U<sub>imp</sub> (kV)</b>              |   | 6   | 6  |
| <b>Breaking capacity</b>   | As per IS 12640 (part 1) 2008, IEC 61008 - 1  |   |  |
| <b>Rated making &amp; breaking capacity (I<sub>m</sub>)</b>              |   |   |  |
|  | - Up to 40 A<br>- From 63 A and above   | 500 A<br>10 x I <sub>n</sub>  | -<br>630 A   |
| <b>Rated residual making &amp; breaking capacity (I<sub>Δm</sub>)</b>    |   |   |  |
|  | - Up to 40 A<br>- From 63 A and above   | 1000 A<br>1000 A  | -<br>1000 A  |
| <b>Rated conditional short circuit current (I<sub>nc</sub>)</b>          |   | 10000 A   | 10000 A  |
| <b>Rated conditional residual short circuit current (I<sub>Δc</sub>)</b> |   | 10000 A   | 10000 A  |
| <b>Rated service short circuit capacity (I<sub>cs</sub>)</b>             |   | -   | -  |
| <b>Rated short circuit capacity (I<sub>cn</sub>)</b>                     |   | -   | -  |
| <b>Operating temperature (°C)</b>  |   | - 25 to 70  | - 25 to 70   |
| <b>Endurance (0.C cycle)</b>   | - Mechanical<br>- On load at in x cos φ 0.9<br>- Via test button<br>- By fault current (sensitivity)        | 20,000<br>10,000<br>2,000<br>2,000  | 20,000<br>10,000<br>2,000<br>2,000   |
| <b>Testing</b>   | By pressing test button grey dolly will come to OFF position<br>It is recommended to test RCCB once a month | By pressing test button grey dolly will come to OFF position<br>It is recommended to test RCCB once a month | By pressing test button, grey dolly will come to OFF position<br>It is recommended to test RCCB once a month |
| <b>Fault indication</b>  | - Earth leakage<br><br>- Overload and shortcut  | Grey dolly will come to OFF position<br><br>-   | Grey dolly will come to OFF position<br><br>-  |
| <b>Resetting</b>   |   | Switch on grey dolly  | Switch on grey dolly   |
| <b>Terminals</b>   | - Rigid<br>- Flexible   | 1 - 35 sq. mm<br>1 - 25 sq. mm  | 1 - 35 sq. mm<br>1 - 25 sq. mm   |
| <b>Type of protection</b>  |   |   |  |
| Earth leakage  |   | •   | •  |
| Overload   |   | -   | -  |
| Short circuit  |   | -   | -  |
| <b>Add on electrical accessories*</b>                                    |   |   |  |
| Auxiliary  |   | •   | •  |
| Fault signaling  |   | •   | •  |
| Shunt trip   |   | •   | •  |
| Under voltage  |   | •   | •  |
| Over voltage   |   | •   | •  |

\* - Accessories are mounted on the left hand side of the product.  
At a time a maximum of three accessories can be mounted.

<sup>(1)</sup> - Between phase and neutral



**Dimensions**


| Products                                    | A    | B    |      |      |      |      |       | C  | D  | E  | F    | G  |
|---|------|------|------|------|------|------|-------|----|----|----|------|----|
|   |      | SP   | SPN  | DP   | TP   | TPN  | FP    |    |    |    |      |    |
| DX <sup>3</sup> MCBs (0.5 to 63A)           | 70   | 17.7 | 35.6 | 35.6 | 53.4 | 71.2 | 71.2  | 60 | 83 | 44 | 76   | 94 |
| DX <sup>3</sup> MCBs (80 - 125A)            | 70   | 26.7 | -    | 53.4 | 80.1 | -    | 106.8 | 60 | 83 | 44 | 76   | 89 |
| DX <sup>3</sup> Isolators                   | 70   | -    | -    | 35.6 | 53.4 | -    | 71.2  | 60 | 83 | 44 | 76   | 94 |
| DX <sup>3</sup> RCCB - type AC (DP)         | 70   | -    | -    | 35.6 | -    | -    | -     | 60 | 83 | 44 | 76   | 94 |
| DX <sup>3</sup> RCCB - type AC (FP)         | 71.5 | -    | -    | -    | -    | -    | 71.2  | 60 | 83 | 44 | 77.5 | 94 |
| DX <sup>3</sup> RCCB - type A - S (DP)      | 70   | -    | -    | 35.6 | -    | -    | -     | 60 | 83 | 44 | 76   | 94 |
| DX <sup>3</sup> RCCB - type A - S (FP)      | 71.5 | -    | -    | -    | -    | -    | 71.2  | 60 | 83 | 44 | 77.5 | 94 |
| DX <sup>3</sup> RCCB - type Hpi (DP)        | 70   | -    | -    | 35.6 | -    | -    | -     | 60 | 83 | 44 | 76   | 94 |
| DX <sup>3</sup> RCCB - type Hpi (FP)        | 71.5 | -    | -    | -    | -    | -    | 71.2  | 60 | 83 | 44 | 77.5 | 94 |
| DX <sup>3</sup> RCBO - type AC              | 70   | -    | -    | 71.2 | -    | -    | 142.4 | 60 | 83 | 44 | 76   | 94 |
| DX <sup>3</sup> RCBO - type AC (DP 2 mod.)  | 70   | -    | -    | 35.6 | -    | -    | -     | 60 | 83 | 44 | 76   | 94 |
| DX <sup>3</sup> RCBO - type Hpi (DP 2 mod.) | 70   | -    | -    | 35.6 | -    | -    | -     | 60 | 83 | 44 | 76   | 94 |
| Auxiliary contacts                          | 70   |      |      |      | 8.7  |      |       | 60 | 83 | 44 | 76   | 83 |
| Auxiliary contacts                          | 70   |      |      |      | 17.7 |      |       | 60 | 83 | 44 | 76   | 83 |
| Shunt trip                                  | 70   |      |      |      | 17.7 |      |       | 60 | 83 | 44 | 76   | 83 |
| Minimum voltage trip                        | 70   |      |      |      | 17.7 |      |       | 60 | 83 | 44 | 76   | 83 |
| POP over voltage                            | 74   |      |      |      | 54   |      |       | 74 | 83 | 44 | 80.5 | 89 |
| Remote control for MCB / RCBO               | 74   |      |      |      | 54   |      |       | 74 | 83 | 44 | 80.5 | 89 |
| Lexic contactors 20 A                       | 62   |      |      |      | 17.8 |      |       | 60 | 83 | 44 | 67.5 | -  |
| Lexic contactors 40 A (2 mod.)              | 60   |      |      |      | 35.6 |      |       | 61 | 80 | 44 | 67   | -  |
| Lexic contactors 40 A / 63 A (3 mod.)       | 60   |      |      |      | 54   |      |       | 61 | 80 | 44 | 67   | -  |