

## DX<sup>3</sup> isolators

ISs for AC applications upto 125A



## DX<sup>3</sup> RCCBs

RCCBs for AC applications upto 63 A



4065 00



4065 10



4065 20



4118 51



4118 77



4118 93

Technical characteristics p. 45

Isolators for AC applications upto 125 A  
 ISI marked as per IEC 60947-3  
 Integrated label holder  
 Ergonomic red color dolly  
 Sliding bottom clamp  
 Double break mechanism  
 Improved air channels  
 Color coded On/Off indication on dolly  
 Biconnect lower terminals  
 IP 20 protected terminals  
 Sliding shutters

Technical characteristics p. 46-51

ISI marked as per IS 12640-1  
 Integrated label holder  
 Ergonomic Grey color dolly  
 Sliding bottom clamp  
 Color coded On/Off indication on dolly  
 Biconnect lower terminals  
 IP 20 protected terminals  
 35 sq mm terminals  
 Sliding shutters

Pack	Cat.Nos	Isolators	Number of modules
		<b>2 pole 415 V<math>\sim</math></b>	
		Nominal rating In (A)	
1/5/60	<b>4065 00</b>	32	2
1/5/60	<b>4065 01</b>	40	2
1/5/60	<b>4065 02</b>	63	2
1/5/60	<b>4065 04</b>	100	2
1/5/60	<b>4065 05</b>	125	2
		<b>3 pole 415 V<math>\sim</math></b>	
1/40	<b>4065 09</b>	32	3
1/40	<b>4065 10</b>	40	3
1/40	<b>4065 11</b>	63	3
1/40	<b>4065 13</b>	100	3
1/40	<b>4065 14</b>	125	3
		<b>4 pole 415 V<math>\sim</math></b>	
1/32	<b>4065 18</b>	32	4
1/32	<b>4065 19</b>	40	4
1/32	<b>4065 20</b>	63	4
1/32	<b>4065 22</b>	100	4
1/32	<b>4065 23</b>	125	4

Pack	Cat.Nos	DX <sup>3</sup> RCCBs	Number of modules
		<b>2 pole 240 V<math>\sim</math></b>	
		<b>30 mA</b>	
		Nominal rating In (A)	
1/5/60	<b>4118 51</b>	25	2
1/5/60	<b>4118 52</b>	40	2
1/5/60	<b>4118 53</b>	63	2
		<b>100 mA</b>	
1/5/60	<b>4118 56</b>	25	2
1/5/60	<b>4118 57</b>	40	2
1/5/60	<b>4118 58</b>	63	2
		<b>300 mA</b>	
1/5/60	<b>4118 61</b>	25	2
1/5/60	<b>4118 62</b>	40	2
1/5/60	<b>4118 63</b>	63	2
		<b>4 pole 415 V<math>\sim</math></b>	
		<b>30 mA</b>	
1/32	<b>4118 76</b>	25	4
1/32	<b>4118 77</b>	40	4
1/32	<b>4118 78</b>	63	4
		<b>100 mA</b>	
1/32	<b>4118 81</b>	25	4
1/32	<b>4118 82</b>	40	4
1/32	<b>4118 83</b>	63	4
		<b>300 mA</b>	
1/32	<b>4118 86</b>	25	4
1/32	<b>4118 87</b>	40	4
1/32	<b>4118 88</b>	63	4
		<b>4 pole 415 V<math>\sim</math>, A-S</b>	
		<b>300 mA</b>	
1/5/60	<b>4118 91</b>	25	4
1/5/60	<b>4118 92</b>	40	4
1/5/60	<b>4118 93</b>	63	4
		<b>2 pole 240 V<math>\sim</math>, HPI</b>	
		<b>30 mA</b>	
1/5/60	<b>4118 71</b>	25	2
1/5/60	<b>4118 72</b>	40	2
1/5/60	<b>4118 73</b>	63	2
		<b>4 pole 415 V<math>\sim</math>, HPI</b>	
		<b>30 mA</b>	
1/32	<b>4118 96</b>	25	4
1/32	<b>4118 97</b>	40	4
1/32	<b>4118 98</b>	63	4

## DX<sup>3</sup> RCDS

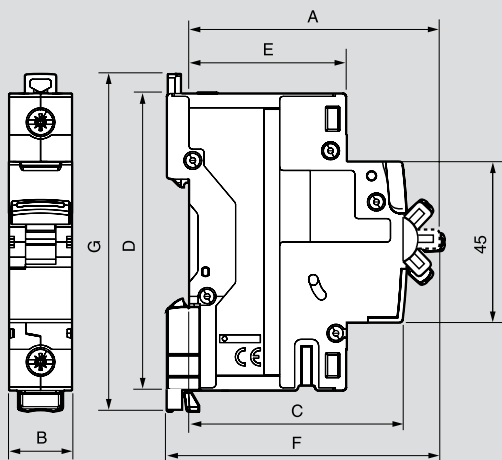
technical data for DX<sup>3</sup> RCDs

	RCCB		
	Type AC	Type A-S	Type Hpi
<b>Specification</b>	IS 12640 (part 1) 2008 IEC 61008 - 1	IEC 61008 - 1 EN 61008 - 1	EN 61008 - 1 IEC 61008 - 1
<b>No. of modules</b>	- Double pole - Four pole	2 4	2 4
<b>Electrical characteristics</b>			
<b>Nominal rating I<sub>n</sub> (A)</b>	- Double pole - Four pole	25, 40, 63, 80, 100 25, 40, 63, 80, 100	63, 80 25, 40, 63, 80
<b>Rated sensitivity (mA)</b>	- Double pole - Four pole	30, 100, 300 30, 100, 300	300 300
<b>Rated frequency (Hz)</b>		50 / 60	50 / 60
<b>Rated operating voltage U<sub>e</sub> (V AC)</b>	- Double pole - Four pole	230 230 / 415	230 400
<b>Minimum operating voltage (V AC)</b>		12	12
<b>Minimum operating voltage for test button (V AC)<sup>(1)</sup></b>			
	- Double pole - Four pole	170 196	170 196
<b>Rated insulation voltage U<sub>i</sub> (V AC)</b>	- Double pole - Four pole	250 500	250 500
<b>Rated impulse withstand voltage U<sub>imp</sub> (kV)</b>		6	6
<b>Breaking capacity</b>	As per IS 12640 (part 1) 2008, IEC 61008 - 1		
<b>Rated making &amp; breaking capacity (I<sub>m</sub>)</b>			
	- Up to 40 A - From 63 A and above	500 A 10 x I <sub>n</sub>	- 630 A
<b>Rated residual making &amp; breaking capacity (I<sub>Δm</sub>)</b>			
	- Up to 40 A - From 63 A and above	1000 A 1000 A	- 1000 A
<b>Rated conditional short circuit current (I<sub>nc</sub>)</b>		10000 A	10000 A
<b>Rated conditional residual short circuit current (I<sub>Δc</sub>)</b>		10000 A	10000 A
<b>Rated service short circuit capacity (I<sub>cs</sub>)</b>		-	-
<b>Rated short circuit capacity (I<sub>cn</sub>)</b>		-	-
<b>Operating temperature (°C)</b>		- 25 to 70	- 25 to 70
<b>Endurance (0.C cycle)</b>	- Mechanical - On load at in x cos φ 0.9 - Via test button - By fault current (sensitivity)	20,000 10,000 2,000 2,000	20,000 10,000 2,000 2,000
<b>Testing</b>	By pressing test button grey dolly will come to OFF position It is recommended to test RCCB once a month	By pressing test button grey dolly will come to OFF position It is recommended to test RCCB once a month	By pressing test button, grey dolly will come to OFF position It is recommended to test RCCB once a month
<b>Fault indication</b>	- Earth leakage  - Overload and shortcut	Grey dolly will come to OFF position  -	Grey dolly will come to OFF position  -
<b>Resetting</b>		Switch on grey dolly	Switch on grey dolly
<b>Terminals</b>	- Rigid - Flexible	1 - 35 sq. mm 1 - 25 sq. mm	1 - 35 sq. mm 1 - 25 sq. mm
<b>Type of protection</b>			
Earth leakage		•	•
Overload		-	-
Short circuit		-	-
<b>Add on electrical accessories*</b>			
Auxiliary		•	•
Fault signaling		•	•
Shunt trip		•	•
Under voltage		•	•
Over voltage		•	•

\* - Accessories are mounted on the left hand side of the product.  
At a time a maximum of three accessories can be mounted.

<sup>(1)</sup> - Between phase and neutral



**Dimensions**


Products	A	B						C	D	E	F	G
		SP	SPN	DP	TP	TPN	FP					
DX <sup>3</sup> MCBs (0.5 to 63A)	70	17.7	35.6	35.6	53.4	71.2	71.2	60	83	44	76	94
DX <sup>3</sup> MCBs (80 - 125A)	70	26.7	-	53.4	80.1	-	106.8	60	83	44	76	89
DX <sup>3</sup> Isolators	70	-	-	35.6	53.4	-	71.2	60	83	44	76	94
DX <sup>3</sup> RCCB - type AC (DP)	70	-	-	35.6	-	-	-	60	83	44	76	94
DX <sup>3</sup> RCCB - type AC (FP)	71.5	-	-	-	-	-	71.2	60	83	44	77.5	94
DX <sup>3</sup> RCCB - type A - S (DP)	70	-	-	35.6	-	-	-	60	83	44	76	94
DX <sup>3</sup> RCCB - type A - S (FP)	71.5	-	-	-	-	-	71.2	60	83	44	77.5	94
DX <sup>3</sup> RCCB - type Hpi (DP)	70	-	-	35.6	-	-	-	60	83	44	76	94
DX <sup>3</sup> RCCB - type Hpi (FP)	71.5	-	-	-	-	-	71.2	60	83	44	77.5	94
DX <sup>3</sup> RCBO - type AC	70	-	-	71.2	-	-	142.4	60	83	44	76	94
DX <sup>3</sup> RCBO - type AC (DP 2 mod.)	70	-	-	35.6	-	-	-	60	83	44	76	94
DX <sup>3</sup> RCBO - type Hpi (DP 2 mod.)	70	-	-	35.6	-	-	-	60	83	44	76	94
Auxiliary contacts	70				8.7			60	83	44	76	83
Auxiliary contacts	70				17.7			60	83	44	76	83
Shunt trip	70				17.7			60	83	44	76	83
Minimum voltage trip	70				17.7			60	83	44	76	83
POP over voltage	74				54			74	83	44	80.5	89
Remote control for MCB / RCBO	74				54			74	83	44	80.5	89
Lexic contactors 20 A	62				17.8			60	83	44	67.5	-
Lexic contactors 40 A (2 mod.)	60				35.6			61	80	44	67	-
Lexic contactors 40 A / 63 A (3 mod.)	60				54			61	80	44	67	-