

DX³ isolators

ISs for AC applications upto 125A



4065 00

4065 10

4065 20

Technical characteristics p. 45

Isolators for AC applications upto 125 A
 ISI marked as per IEC 60947-3
 Integrated label holder
 Ergonomic red color dolly
 Sliding bottom clamp
 Double break mechanism
 Improved air channels
 Color coded On/Off indication on dolly
 Biconnect lower terminals
 IP 20 protected terminals
 Sliding shutters

| Pack | Cat.Nos | Isolators | Number of modules |
|--------|----------------|--------------------------------------|-------------------|
| | | 2 pole 415 V\sim | |
| | | Nominal rating In (A) | |
| 1/5/60 | 4065 00 | 32 | 2 |
| 1/5/60 | 4065 01 | 40 | 2 |
| 1/5/60 | 4065 02 | 63 | 2 |
| 1/5/60 | 4065 04 | 100 | 2 |
| 1/5/60 | 4065 05 | 125 | 2 |
| | | 3 pole 415 V\sim | |
| 1/40 | 4065 09 | 32 | 3 |
| 1/40 | 4065 10 | 40 | 3 |
| 1/40 | 4065 11 | 63 | 3 |
| 1/40 | 4065 13 | 100 | 3 |
| 1/40 | 4065 14 | 125 | 3 |
| | | 4 pole 415 V\sim | |
| 1/32 | 4065 18 | 32 | 4 |
| 1/32 | 4065 19 | 40 | 4 |
| 1/32 | 4065 20 | 63 | 4 |
| 1/32 | 4065 22 | 100 | 4 |
| 1/32 | 4065 23 | 125 | 4 |

DX³ RCCBs

RCCBs for AC applications upto 63 A



4118 51

4118 77

4118 93

Technical characteristics p. 46-51

ISI marked as per IS 12640-1
 Integrated label holder
 Ergonomic Grey color dolly
 Sliding bottom clamp
 Color coded On/Off indication on dolly
 Biconnect lower terminals
 IP 20 protected terminals
 35 sq mm terminals
 Sliding shutters

| Pack | Cat.Nos | DX ³ RCCBs | Number of modules |
|--------|----------------|---|-------------------|
| | | 2 pole 240 V\sim | |
| | | 30 mA | |
| | | Nominal rating In (A) | |
| 1/5/60 | 4118 51 | 25 | 2 |
| 1/5/60 | 4118 52 | 40 | 2 |
| 1/5/60 | 4118 53 | 63 | 2 |
| | | 100 mA | |
| 1/5/60 | 4118 56 | 25 | 2 |
| 1/5/60 | 4118 57 | 40 | 2 |
| 1/5/60 | 4118 58 | 63 | 2 |
| | | 300 mA | |
| 1/5/60 | 4118 61 | 25 | 2 |
| 1/5/60 | 4118 62 | 40 | 2 |
| 1/5/60 | 4118 63 | 63 | 2 |
| | | 4 pole 415 V\sim | |
| | | 30 mA | |
| 1/32 | 4118 76 | 25 | 4 |
| 1/32 | 4118 77 | 40 | 4 |
| 1/32 | 4118 78 | 63 | 4 |
| | | 100 mA | |
| 1/32 | 4118 81 | 25 | 4 |
| 1/32 | 4118 82 | 40 | 4 |
| 1/32 | 4118 83 | 63 | 4 |
| | | 300 mA | |
| 1/32 | 4118 86 | 25 | 4 |
| 1/32 | 4118 87 | 40 | 4 |
| 1/32 | 4118 88 | 63 | 4 |
| | | 4 pole 415 V\sim, A-S | |
| | | 300 mA | |
| 1/5/60 | 4118 91 | 25 | 4 |
| 1/5/60 | 4118 92 | 40 | 4 |
| 1/5/60 | 4118 93 | 63 | 4 |
| | | 2 pole 240 V\sim, HPI | |
| | | 30 mA | |
| 1/5/60 | 4118 71 | 25 | 2 |
| 1/5/60 | 4118 72 | 40 | 2 |
| 1/5/60 | 4118 73 | 63 | 2 |
| | | 4 pole 415 V\sim, HPI | |
| | | 30 mA | |
| 1/32 | 4118 96 | 25 | 4 |
| 1/32 | 4118 97 | 40 | 4 |
| 1/32 | 4118 98 | 63 | 4 |

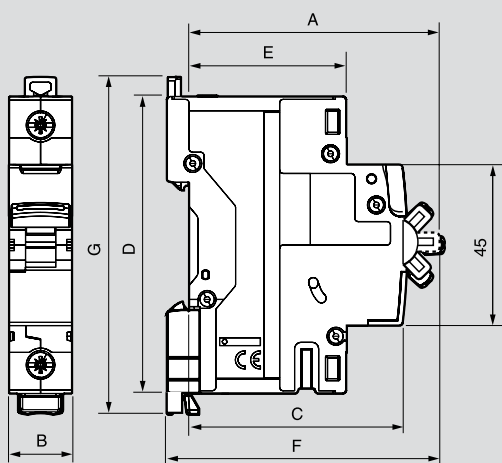
DX³ RCDS

technical data for DX³ RCDs

| | RCCB | | |
|--|---|---|--|
| | Type AC | Type A-S | Type Hpi |
| Specification | IS 12640 (part 1) 2008 IEC 61008 - 1 | IEC 61008 - 1 EN 61008 - 1 | EN 61008 - 1 IEC 61008 - 1 |
| No. of modules | - Double pole - Four pole | 2 4 | 2 4 |
| Electrical characteristics | | | |
| Nominal rating I_n (A) | - Double pole - Four pole | 25, 40, 63, 80, 100 25, 40, 63, 80, 100 | 63, 80 25, 40, 63, 80 |
| Rated sensitivity (mA) | - Double pole - Four pole | 30, 100, 300 30, 100, 300 | 300 300 |
| Rated frequency (Hz) | | 50 / 60 | 50 / 60 |
| Rated operating voltage U_e (V AC) | - Double pole - Four pole | 230 230 / 415 | 230 400 |
| Minimum operating voltage (V AC) | | 12 | 12 |
| Minimum operating voltage for test button (V AC)⁽¹⁾ | | | |
| | - Double pole - Four pole | 170 196 | 170 196 |
| Rated insulation voltage U_i (V AC) | - Double pole - Four pole | 250 500 | 250 500 |
| Rated impulse withstand voltage U_{imp} (kV) | | 6 | 6 |
| Breaking capacity | As per IS 12640 (part 1) 2008, IEC 61008 - 1 | | |
| Rated making & breaking capacity (I_m) | | | |
| | - Up to 40 A - From 63 A and above | 500 A 10 x I _n | - 630 A |
| Rated residual making & breaking capacity (I_{Δm}) | | | |
| | - Up to 40 A - From 63 A and above | 1000 A 1000 A | - 1000 A |
| Rated conditional short circuit current (I_{nc}) | | 10000 A | 10000 A |
| Rated conditional residual short circuit current (I_{Δc}) | | 10000 A | 10000 A |
| Rated service short circuit capacity (I_{cs}) | | - | - |
| Rated short circuit capacity (I_{cn}) | | - | - |
| Operating temperature (°C) | | - 25 to 70 | - 25 to 70 |
| Endurance (0.C cycle) | - Mechanical - On load at in x cos φ 0.9 - Via test button - By fault current (sensitivity) | 20,000 10,000 2,000 2,000 | 20,000 10,000 2,000 2,000 |
| Testing | By pressing test button grey dolly will come to OFF position It is recommended to test RCCB once a month | By pressing test button grey dolly will come to OFF position It is recommended to test RCCB once a month | By pressing test button, grey dolly will come to OFF position It is recommended to test RCCB once a month |
| Fault indication | - Earth leakage - Overload and shortcut | Grey dolly will come to OFF position - | Grey dolly will come to OFF position - |
| Resetting | | Switch on grey dolly | Switch on grey dolly |
| Terminals | - Rigid - Flexible | 1 - 35 sq. mm 1 - 25 sq. mm | 1 - 35 sq. mm 1 - 25 sq. mm |
| Type of protection | | | |
| Earth leakage | | • | • |
| Overload | | - | - |
| Short circuit | | - | - |
| Add on electrical accessories* | | | |
| Auxiliary | | • | • |
| Fault signaling | | • | • |
| Shunt trip | | • | • |
| Under voltage | | • | • |
| Over voltage | | • | • |

* - Accessories are mounted on the left hand side of the product.
At a time a maximum of three accessories can be mounted.

⁽¹⁾ - Between phase and neutral

Dimensions


| Products | A | B | | | | | | C | D | E | F | G |
|---|------|------|------|------|------|------|-------|----|----|----|------|----|
| | | SP | SPN | DP | TP | TPN | FP | | | | | |
| DX ³ MCBs (0.5 to 63A) | 70 | 17.7 | 35.6 | 35.6 | 53.4 | 71.2 | 71.2 | 60 | 83 | 44 | 76 | 94 |
| DX ³ MCBs (80 - 125A) | 70 | 26.7 | - | 53.4 | 80.1 | - | 106.8 | 60 | 83 | 44 | 76 | 89 |
| DX ³ Isolators | 70 | - | - | 35.6 | 53.4 | - | 71.2 | 60 | 83 | 44 | 76 | 94 |
| DX ³ RCCB - type AC (DP) | 70 | - | - | 35.6 | - | - | - | 60 | 83 | 44 | 76 | 94 |
| DX ³ RCCB - type AC (FP) | 71.5 | - | - | - | - | - | 71.2 | 60 | 83 | 44 | 77.5 | 94 |
| DX ³ RCCB - type A - S (DP) | 70 | - | - | 35.6 | - | - | - | 60 | 83 | 44 | 76 | 94 |
| DX ³ RCCB - type A - S (FP) | 71.5 | - | - | - | - | - | 71.2 | 60 | 83 | 44 | 77.5 | 94 |
| DX ³ RCCB - type Hpi (DP) | 70 | - | - | 35.6 | - | - | - | 60 | 83 | 44 | 76 | 94 |
| DX ³ RCCB - type Hpi (FP) | 71.5 | - | - | - | - | - | 71.2 | 60 | 83 | 44 | 77.5 | 94 |
| DX ³ RCBO - type AC | 70 | - | - | 71.2 | - | - | 142.4 | 60 | 83 | 44 | 76 | 94 |
| DX ³ RCBO - type AC (DP 2 mod.) | 70 | - | - | 35.6 | - | - | - | 60 | 83 | 44 | 76 | 94 |
| DX ³ RCBO - type Hpi (DP 2 mod.) | 70 | - | - | 35.6 | - | - | - | 60 | 83 | 44 | 76 | 94 |
| Auxiliary contacts | 70 | | | | 8.7 | | | 60 | 83 | 44 | 76 | 83 |
| Auxiliary contacts | 70 | | | | 17.7 | | | 60 | 83 | 44 | 76 | 83 |
| Shunt trip | 70 | | | | 17.7 | | | 60 | 83 | 44 | 76 | 83 |
| Minimum voltage trip | 70 | | | | 17.7 | | | 60 | 83 | 44 | 76 | 83 |
| POP over voltage | 74 | | | | 54 | | | 74 | 83 | 44 | 80.5 | 89 |
| Remote control for MCB / RCBO | 74 | | | | 54 | | | 74 | 83 | 44 | 80.5 | 89 |
| Lexic contactors 20 A | 62 | | | | 17.8 | | | 60 | 83 | 44 | 67.5 | - |
| Lexic contactors 40 A (2 mod.) | 60 | | | | 35.6 | | | 61 | 80 | 44 | 67 | - |
| Lexic contactors 40 A / 63 A (3 mod.) | 60 | | | | 54 | | | 61 | 80 | 44 | 67 | - |