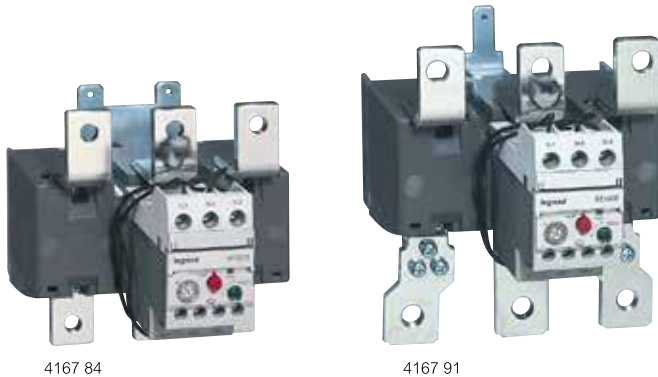


Thermal relays RTX³

for CTX³ 3-pole industrial contactors



4-pole contactors CTX³

40 A to 900 A industrial contactors and spare coils



Dimensions **p. 54-55**
 Tripping curves **p. 42-45**

Conform to IEC 60 947-1, IEC 60 947-4-1

Pack	Cat.Nos	Thermal overload relays		
		Class 10 A Integrated auxiliary contacts 1 NO + 1 NC		
		RTX³ 225		
		For CTX ³ 225 With screw terminals		
		Adjustment range		
	Type diff	I min. (A)		I max. (A)
1	4167 80	65		100
1	4167 81	85		125
1	4167 82	100		160
1	4167 83	120		185
1	4167 84	160		240
		RTX³ 400		
		For CTX ³ 400 With screw terminals		
1	4167 86	85		125
1	4167 87	100		160
1	4167 88	120		185
1	4167 89	160		240
1	4167 90	200		330
1	4167 91	260		400
		RTX³ 800		
		For CTX ³ 800 With screw terminals		
1	4167 92	200		300
1	4167 93	260		400
1	4167 94	400		630
1	4167 95	520		800

Dimensions **p. 51-52**

Conform to IEC 60 947-1, IEC 60 947-4-1

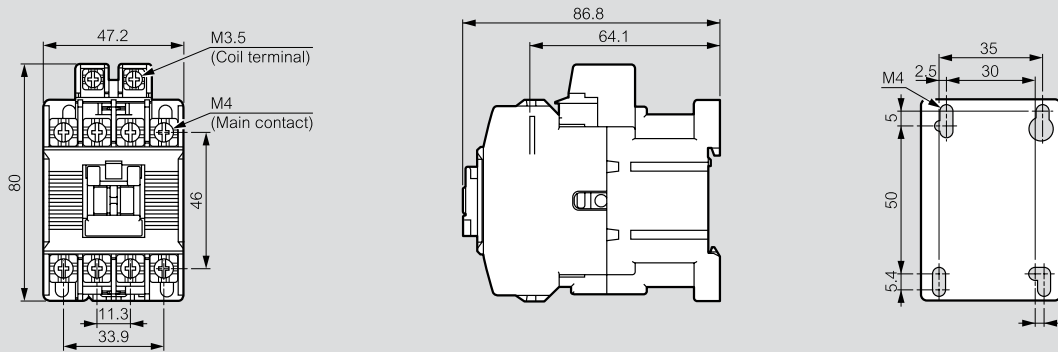
Can be equipped with add-on auxiliary contact blocks, time delay blocks (except CTX³ 4P from 165 A to 900 A), and CTX³ interlocking

Pack	Cat.Nos	Contactors CTX ³		
		Power terminals: screw terminals		
		Without integrated auxiliary contact		
		Max. operating current AC-1	Max. operating current AC-3	Control Voltage
1	4164 26	40 A	22 A	230 V~
1	4164 36	60 A	40 A	230 V~
1	4164 46	100 A	65 A	230 V~
1	4164 56	135 A	85 A	230 V~
		With integrated auxiliary contacts		
		Auxiliary contacts: 2 NO + 2 NC		
1	4164 66	165 A	130 A	100-240 V~/=
1	4164 76	250 A	150 A	100-240 V~/=
1	4164 86	330 A	225 A	100-240 V~/=
1	4164 96	420 A	330 A	100-240 V~/=
1	4165 06	500 A	400 A	100-240 V~/=
1	4165 16	750 A	630 A	200-240 V~/=
1	4165 26	900 A	800 A	200-240 V~/=
		Spare coils for CTX³ 4P contactors		
		Control voltage 230 V~		
3	4165 46	For CTX ³ 40 A to 60 A (AC-1)		
4	4165 56	For CTX ³ 100 A to 135 A (AC-1)		
1	4165 66	For CTX ³ 165 A to 330 A (AC-1)		
3	4165 76	For CTX ³ 420 A to 500 A (AC-1)		
3	4165 86	For CTX ³ 750 A to 900 A (AC-1)		

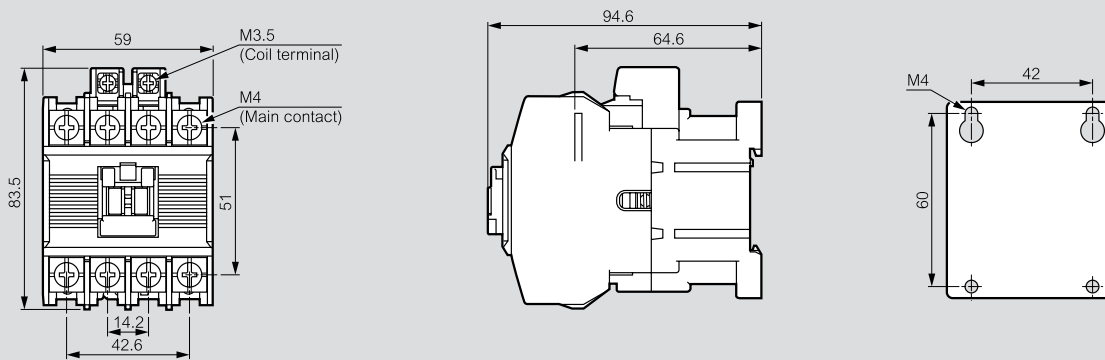
4-pole contactors CTX³

dimensions

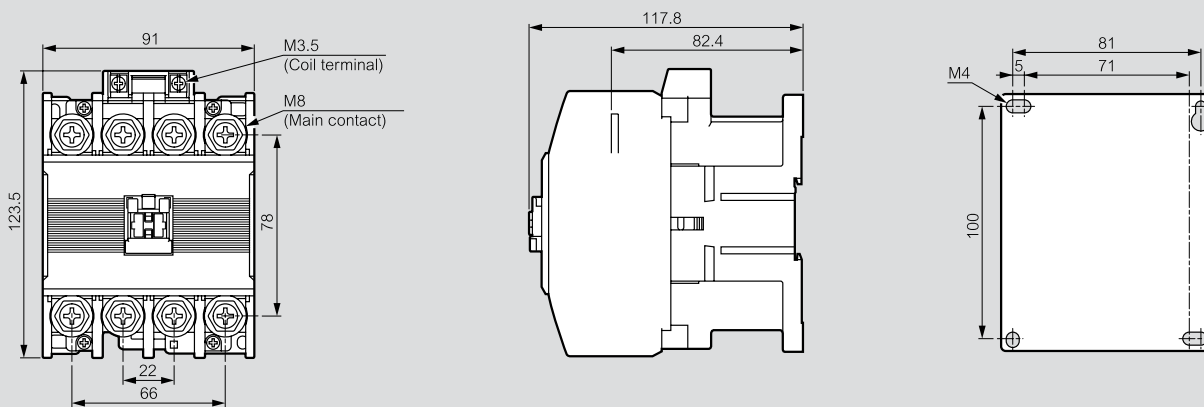
CTX³ 4P 40 A



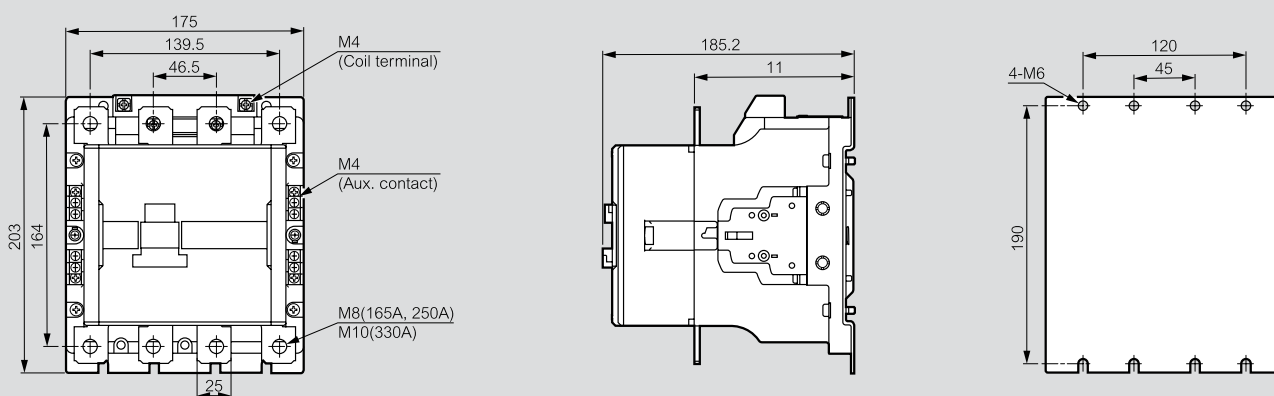
CTX³ 4P 60 A



CTX³ 4P 100 A and 135 A



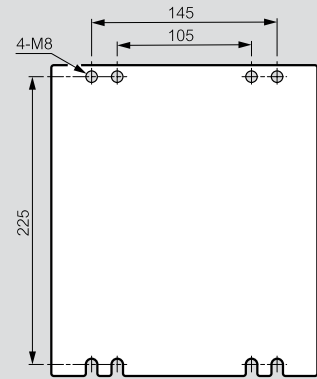
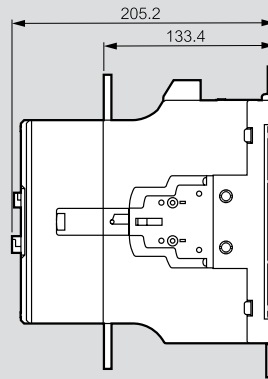
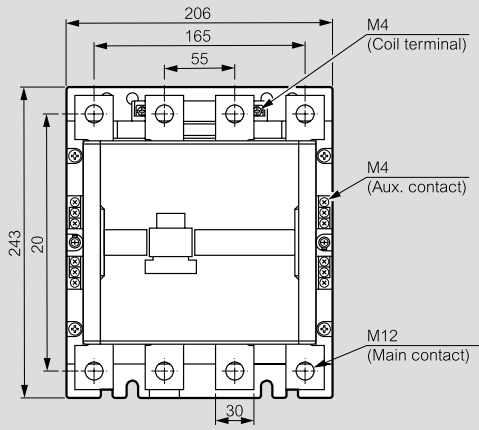
CTX³ 4P 165 A, 250 A and 330 A



4-pole contactors CTX³

dimensions (continued)

CTX³ 4P 420 A and 500 A



CTX³ 4P 750 A and 900 A

