

## DPX<sup>3</sup> 160 and 250 common auxiliaries and accessories



4201 60



4210 10



4210 11



4210 16



4210 22

Pack	Cat.Nos	Supply inverter type
1	4210 58	Plate for mounting and interlocking of 2 DPX <sup>3</sup> For 2 DPX <sup>3</sup> 160 or 2 DPX <sup>3</sup> 250 or 1 DPX <sup>3</sup> 160 and 1 DPX <sup>3</sup> 250
1	4210 59	For fixed version For plug-in and draw-out version
<b>Rotary handles</b>		
<b>Direct handles</b>		
1	6210 00	Standard handle for thermal magnetic DPX <sup>3</sup> without earth leakage module
1	6210 01	Standard handle for electronic DPX <sup>3</sup> and/or with earth leakage module
1	4201 60	Direct Rotary handle- DPX <sup>3</sup> 160 & 250
<b>Vari-depth handles</b>		
For all version of DPX <sup>3</sup>		
1	6210 04	Standard handle
1	4201 61	Vary Depth Rotary handle- DPX <sup>3</sup> 160 & 250
<b>Locking accessories</b>		
1	4210 06	Ronis for direct handle
1	4210 07	Profalux for direct handle
1	4210 08	Ronis for vari-depth handle
1	4210 09	Profalux for vari-depth handle
1	4201 64	Key lock for DIR RH - DPX <sup>3</sup> 160 & 250
1	4201 67	Key lock for VD RH - DPX <sup>3</sup> 160 & 250
1	4201 65	Key lock for DIR RH Type A - DPX <sup>3</sup> 160 & 250
1	4201 68	Key lock for VD RH Type A - DPX <sup>3</sup> 160 & 250
1	4201 66	Key lock for DIR RH Type B - DPX <sup>3</sup> 160 & 250
1	4201 69	Key lock for VD RH Type B - DPX <sup>3</sup> 160 & 250
<b>Motor-driven handles</b>		
<b>Motor operators 24 to 230 V~/=</b>		
1	4210 60	Side motor operator
1	4210 61	Front motor operator
<b>Locking accessories</b>		
1	4210 62	Ronis key barrel for front motor operator
1	4210 63	Profalux key barrel for front motor operator
1	4210 64	Padlock for front motor operator
1	4210 65	Ronis key barrel for side motor operator
1	4210 66	Profalux key barrel for side motor operator
1	4210 67	Padlock for side motor operator

Pack	Cat.Nos	Auxiliaries
<b>Auxiliary contacts</b>		
1	4210 10	1 N/C + 1 N/O auxiliary contact for rotary handles
1	4210 11	Auxiliary contact or fault signalling contact
1	4210 48	Signalling contact plugged-in / drawn-out (for DPX <sup>3</sup> plug-in version)
<b>Shunt releases</b>		
1	4210 12	12 V~/=
1	4210 13	24 V~/=
1	4210 14	48 V~/=
1	4210 15	110-130 V~/=
1	4210 16	200-277 V~/=
1	4210 17	380-480 V~/=
<b>Undervoltage releases</b>		
1	4210 18	12 V~/=
1	4210 19	24 V~/=
1	4210 20	48 V~/=
1	4210 21	110-130 V~/=
1	4210 22	200-240 V~/=
1	4210 23	277 V~/=
1	4210 24	380-415 V~/=
1	4210 25	440-480 V~/=
<b>Locking accessory</b>		
1	4210 49	Padlock for locking in "open" position
<b>Communication interface</b>		
1	4210 75	Modbus

# DPX<sup>3</sup> MCCB

## selection chart

# DPX<sup>3</sup> MCCB

# Rotary Handles for DPX<sup>3</sup>

		DPX <sup>3</sup>	DPX <sup>3</sup> 160	DPX <sup>3</sup> 250	DPX <sup>3</sup> 630	DPX <sup>3</sup> 1600			
		Ratings	upto 160 A	40 A - 250 A	250 - 630 A	800 A	1000 A	1250 A	1600 A
Rotary Handles	Direct		4201 60		4201 62				0262 61
	Vary Depth		4201 61		4201 63				0262 83
Motor Operator	Side	24 - 230 V	4210 60		-	-	-	-	-
		24 V	4210 61		0261 40		0261 24		0261 19
	48 V			0261 41		0261 25		0261 28	
	Front	110 V			-		0261 26		0261 29
		230 V			-		0261 23		0261 27
		230V F			0261 44		0261 54		
Aux Contacts	1 NO + 1NC for RoH		4210 10		-	-	-	-	-
	Fault Signalling / ON-OFF				4210 11				
Shunt Release	12 V		4210 12		-	-	-	-	-
	24 V		4210 13				4222 39		
	48 V		4210 14				4222 40		
	110-130 V / 110 V		4210 15				4222 41		
	200-277 V / 230 V		4210 16				4222 42		
	380-480 V / 400 V		4210 17				4222 43		
UV Release	12 V		4210 18		-	-	-	-	-
	24V DC		-	-	-		4222 44		
	24 V		4210 19				4222 45		
	48 V		4210 20				4222 46		
	110-130 V / 110 V		4210 21				4222 47		
	200-240 V / 230 V		4210 22				4222 48		
	277 V		4210 23		-	-	-	-	-
	380-415 V / 400 V		4210 24				4222 49		
	440-480 V		421025		-	-	-	-	-
Spreaders	3P		6250 02	6250 14	6250 04		4226 24		0262 73
	4P		6250 06	6250 18	6250 08		4226 25		0262 74

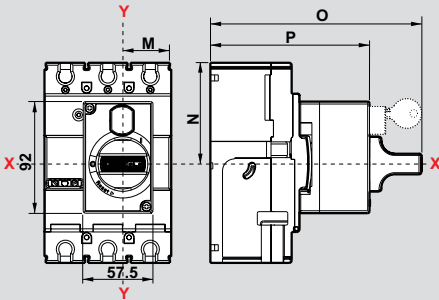


- Smaller dimension of rotary handle base for better visibility of parameters and better access to trip unit
- Only 3 parts for easy installation
- Spring for better play
- Door defeat mechanism for easy maintenance
- ON / OFF indication on the knob
- Pad Locking on the knob – upto 3 Locks

# DPX<sup>3</sup> 160/250 accessories

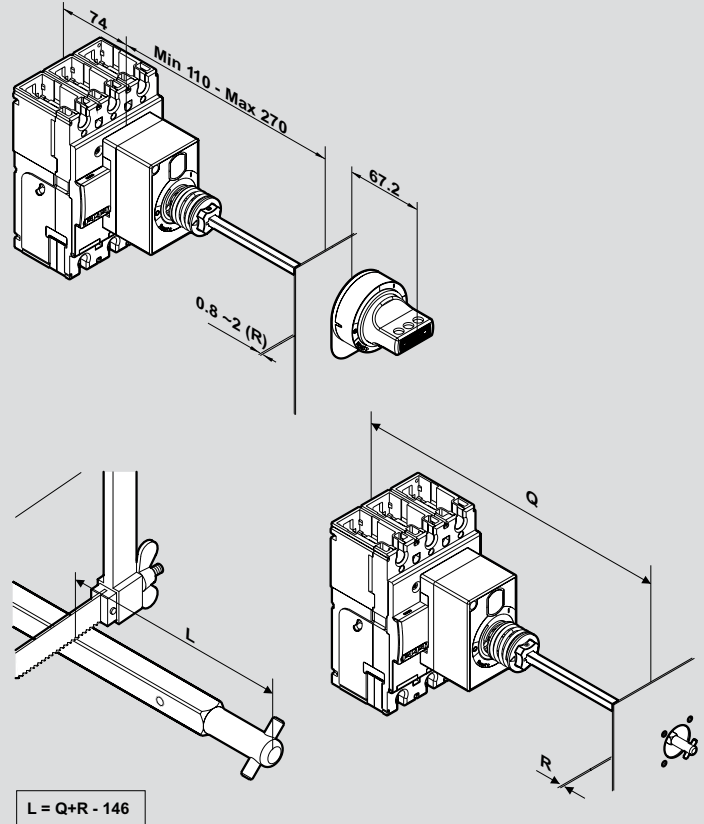
## Dimensions

Rotary handles Cat.No 4201 60



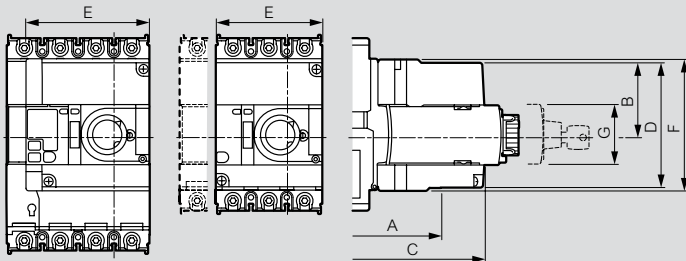
	DPX <sup>3</sup> 160	DPX <sup>3</sup> 250
Cat.No	4201 60	
M	28	40
N	76	83.5
O	174.5	174.5
P	131	131

Rotary handles Cat.No 4201 61



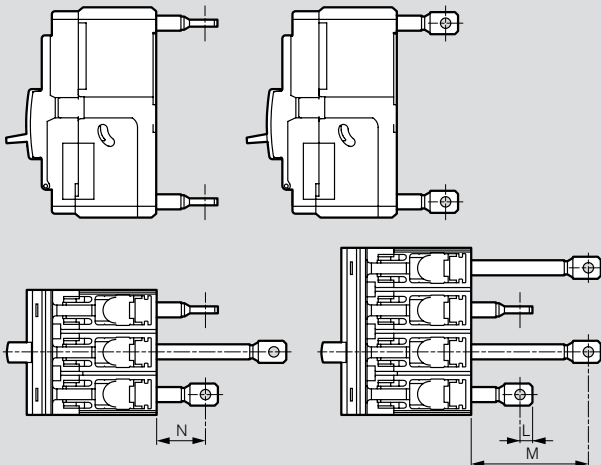
$$L = Q + R - 146$$

Front motor-driven handle Cat.No 4210 61

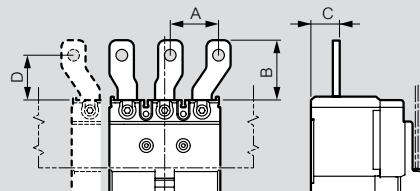


	A	B	C	D	E	F	G	H
160	125	54.5	154	94	80.5	99	45	74
160 with e.l.c.bs	125	54.5	154	94	93	99	45	74
250	125	54.5	154	94	80.5	99	45	74
250 with e.l.c.bs	125	54.5	154	94	93	99	45	74
250 electronic release	125	54.5	154	94	93	99	45	74
250 electronic release with e.l.c.bs	125	54.5	154	94	93	99	45	74

Rear terminals Cat.Nos 4210 36/37/38/39



Incoming spreaders Cat.Nos 4210 32/33/34/35



	A	B	C	D
160	35	41	23	33
160 with e.l.c.bs	35	41	23	33
250	48.5	55	23	39
250 with e.l.c.bs	48.5	55	23	39