

DPX³ 630

equipment and accessories (continued)



0261 40



0262 50



0262 51



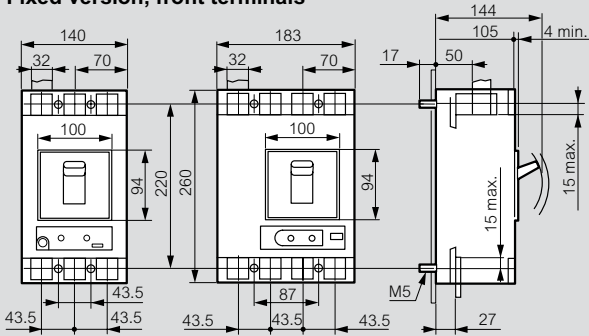
0262 48

Pack	Cat.Nos	Rotary handles
		Direct on DPX³
1	0262 41	Standard (grey)
1	4201 62	Direct Rotary Handle- DPX ³ 630
		Vari-depth handle IP 55
		Comprising: connection rod, bracket, self-adhesive drilling template, mounting accessories and door lock mechanism
1	0262 89	Standard (grey)
1	4201 63	Vary Depth Rotary Handle- DPX ³ 630
		Locking accessories
		For vary-depth handle
1	0262 93	Key barrel and flat key
1	0262 94	Key barrel and star key
1	4201 70	Key lock for VD RH - DPX ³ 630
1	4201 71	Key lock for VD RH Type A - DPX ³ 630
1	4201 72	Key lock for VD RH Type B - DPX ³ 630
		Motor-driven handles
		Front operated
1	0261 40	24 V~ / =
1	0261 41	48 V~ / =
1	0261 44	230 V~
		Accessories
1	0261 59	Lock and flat key
1	0261 58	Lock and star key

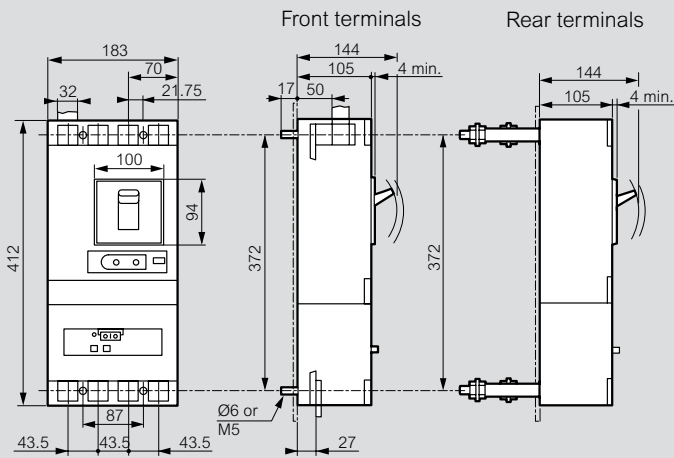
Pack	Cat.Nos	Accessories
		Insulated shields
1	0262 30	Set of 3
	3P	Sealable terminal shields
1	0262 44	Set of 2
	4P	Sealable terminal shields
1	0262 45	Set of 2
		Padlock
1	0262 40	For locking in "OPEN" position
		Adaptor for lug
		For connecting bare cables with wide lugs
1	0262 46	Set of 4 adaptors + insulated shields
		Extended front terminals
1	0262 47	Set of 4
	3P	Spreaders
1	6250 04	Set of incoming or outgoing spreaders
	4P	
1	6250 08	Set of incoming or outgoing spreaders
	3P	Rear terminals
		Used to convert the fixed version with front terminals to the fixed version with rear terminals
1	0263 50	Set of incoming or outgoing swivel terminals
1	0263 52	Set of incoming or outgoing flat terminals
	4P	
1	0263 51	Set of incoming or outgoing swivel terminals
1	0263 53	Set of incoming or outgoing flat terminals
	3P	IP 20 terminal covers
1	4222 34	Set of 2 terminal covers
	4P	
1	4222 35	Set of 2 terminal covers

Dimensions

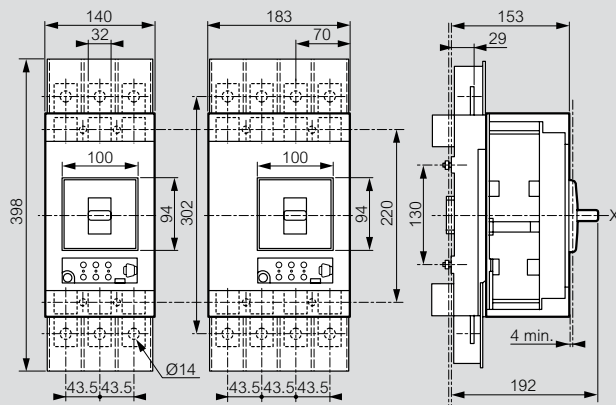
Fixed version, front terminals



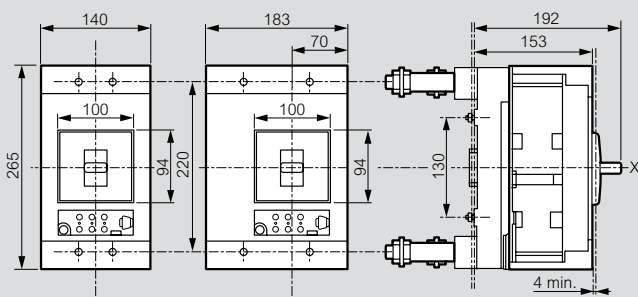
Fixed version with earth leakage module mounted underneath



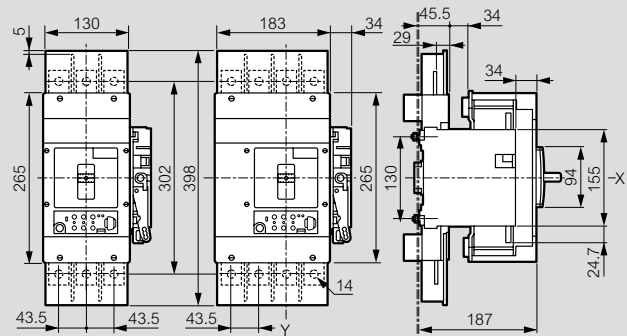
Plug-in version, front terminals



Plug-in version, rear terminals

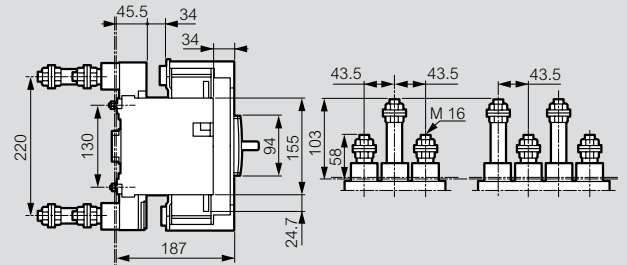


Draw-out version, front terminals

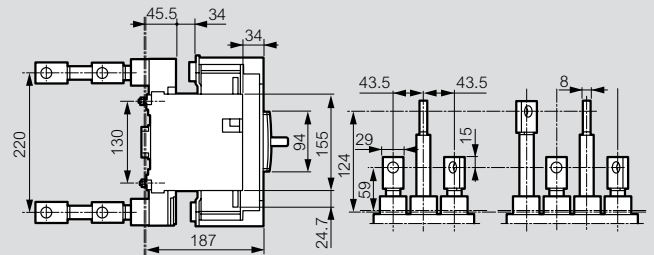


Draw-out version, rear terminals

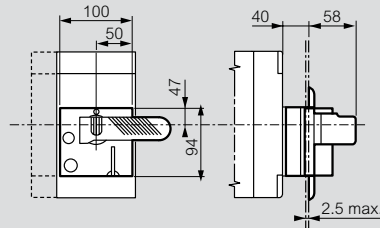
Rear terminal with threaded rod



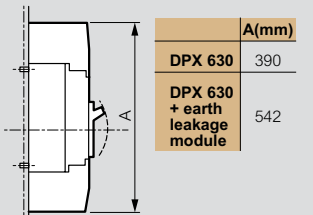
Flat rear terminal



Rotary handle-direct on DPX³



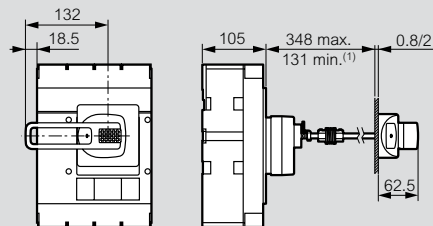
Terminal shields



	A(mm)
DPX 630	390
DPX 630 + earth leakage module	542

Rotary handle-vari-depth handle on door

Mounting with flexible seal



1: 75 mm without mechanical system

DPX³ MCCB

selection chart

DPX³ MCCB

Rotary Handles for DPX³

		DPX ³	DPX ³ 160	DPX ³ 250	DPX ³ 630	DPX ³ 1600			
		Ratings	upto 160 A	40 A - 250 A	250 - 630 A	800 A	1000 A	1250 A	1600 A
Rotary Handles	Direct		4201 60		4201 62				0262 61
	Vary Depth		4201 61		4201 63				0262 83
Motor Operator	Side	24 - 230 V	4210 60		-	-	-	-	-
		24 V	4210 61		0261 40		0261 24		0261 19
	48 V			0261 41		0261 25		0261 28	
	Front	110 V			-		0261 26		0261 29
		230 V			-		0261 23		0261 27
		230V F			0261 44		0261 54		
Aux Contacts	1 NO + 1NC for RoH		4210 10		-	-	-	-	-
	Fault Signalling / ON-OFF				4210 11				
Shunt Release	12 V		4210 12		-	-	-	-	-
	24 V		4210 13				4222 39		
	48 V		4210 14				4222 40		
	110-130 V / 110 V		4210 15				4222 41		
	200-277 V / 230 V		4210 16				4222 42		
	380-480 V / 400 V		4210 17				4222 43		
UV Release	12 V		4210 18		-	-	-	-	-
	24V DC		-	-	-		4222 44		
	24 V		4210 19				4222 45		
	48 V		4210 20				4222 46		
	110-130 V / 110 V		4210 21				4222 47		
	200-240 V / 230 V		4210 22				4222 48		
	277 V		4210 23		-	-	-	-	-
	380-415 V / 400 V		4210 24				4222 49		
	440-480 V		421025		-	-	-	-	-
Spreaders	3P		6250 02	6250 14	6250 04		4226 24		0262 73
	4P		6250 06	6250 18	6250 08		4226 25		0262 74



- Smaller dimension of rotary handle base for better visibility of parameters and better access to trip unit
- Only 3 parts for easy installation
- Spring for better play
- Door defeat mechanism for easy maintenance
- ON / OFF indication on the knob
- Pad Locking on the knob – upto 3 Locks