

# DPX<sup>3</sup> 630

## equipment and accessories (continued)



0261 40



0262 50



0262 51



0262 48

Pack	Cat.Nos	Rotary handles
		<b>Direct on DPX<sup>3</sup></b>
1	0262 41	Standard (grey)
1	<b>4201 62</b>	Direct Rotary Handle- DPX <sup>3</sup> 630
		<b>Vari-depth handle IP 55</b>
		Comprising: connection rod, bracket, self-adhesive drilling template, mounting accessories and door lock mechanism
1	0262 89	Standard (grey)
1	<b>4201 63</b>	Vary Depth Rotary Handle- DPX <sup>3</sup> 630
		<b>Locking accessories</b>
		For vary-depth handle
1	0262 93	Key barrel and flat key
1	0262 94	Key barrel and star key
1	<b>4201 70</b>	Key lock for VD RH - DPX <sup>3</sup> 630
1	<b>4201 71</b>	Key lock for VD RH Type A - DPX <sup>3</sup> 630
1	<b>4201 72</b>	Key lock for VD RH Type B - DPX <sup>3</sup> 630
		<b>Motor-driven handles</b>
		<b>Front operated</b>
1	0261 40	24 V~ / =
1	0261 41	48 V~ / =
1	0261 44	230 V~
		<b>Accessories</b>
1	0261 59	Lock and flat key
1	0261 58	Lock and star key

Pack	Cat.Nos	Accessories
		<b>Insulated shields</b>
1	0262 30	Set of 3
	3P	<b>Sealable terminal shields</b>
1	0262 44	Set of 2
	4P	<b>Sealable terminal shields</b>
1	0262 45	Set of 2
		<b>Padlock</b>
1	0262 40	For locking in "OPEN" position
		<b>Adaptor for lug</b>
		For connecting bare cables with wide lugs
1	0262 46	Set of 4 adaptors + insulated shields
		<b>Extended front terminals</b>
1	0262 47	Set of 4
	3P	<b>Spreaders</b>
1	6250 04	Set of incoming or outgoing spreaders
	4P	
1	6250 08	Set of incoming or outgoing spreaders
	3P	<b>Rear terminals</b>
		Used to convert the fixed version with front terminals to the fixed version with rear terminals
1	0263 50	Set of incoming or outgoing swivel terminals
1	0263 52	Set of incoming or outgoing flat terminals
	4P	
1	0263 51	Set of incoming or outgoing swivel terminals
1	0263 53	Set of incoming or outgoing flat terminals
	3P	<b>IP 20 terminal covers</b>
1	4222 34	Set of 2 terminal covers
	4P	
1	4222 35	Set of 2 terminal covers

# DPX<sup>3</sup> MCCB

## selection chart

# DPX<sup>3</sup> MCCB

# Rotary Handles for DPX<sup>3</sup>

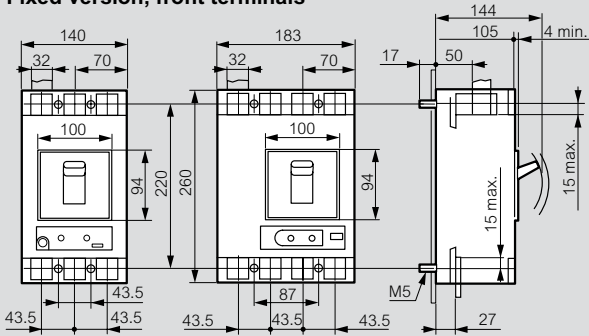
	DPX <sup>3</sup>		DPX <sup>3</sup> 160	DPX <sup>3</sup> 250	DPX <sup>3</sup> 630	DPX <sup>3</sup> 1600			
	Ratings		upto 160 A	40 A - 250 A	250 - 630 A	800 A	1000 A	1250 A	1600 A
Rotary Handles	Direct		4201 60	4201 62	0262 61				
	Vary Depth		4201 61	4201 63	0262 83				
Motor Operator	Side	24 - 230 V	4210 60	-	-	-	-	-	-
		Front	24 V	4210 61	0261 40	0261 24		0261 19	
	48 V		0261 41		0261 25		0261 28		
	110 V		-	0261 26		0261 29			
	230 V		-	0261 23		0261 27			
	230V F		0261 44	0261 54					
Aux Contacts	1 NO + 1NC for RoH		4210 10	-	-	-	-	-	-
	Fault Signalling / ON-OFF		4210 11						
Shunt Release	12 V		4210 12	-	-	-	-	-	-
	24 V		4210 13	4222 39					
	48 V		4210 14	4222 40					
	110-130 V / 110 V		4210 15	4222 41					
	200-277 V / 230 V		4210 16	4222 42					
	380-480 V / 400 V		4210 17	4222 43					
UV Release	12 V		4210 18	-	-	-	-	-	-
	24V DC		-	-	-	4222 44			
	24 V		4210 19	4222 45					
	48 V		4210 20	4222 46					
	110-130 V / 110 V		4210 21	4222 47					
	200-240 V / 230 V		4210 22	4222 48					
	277 V		4210 23	-	-	-	-	-	-
	380-415 V / 400 V		4210 24	4222 49					
	440-480 V		421025	-	-	-	-	-	-
Spreaders	3P		6250 02	6250 14	6250 04	4226 24		0262 73	
	4P		6250 06	6250 18	6250 08	4226 25		0262 74	



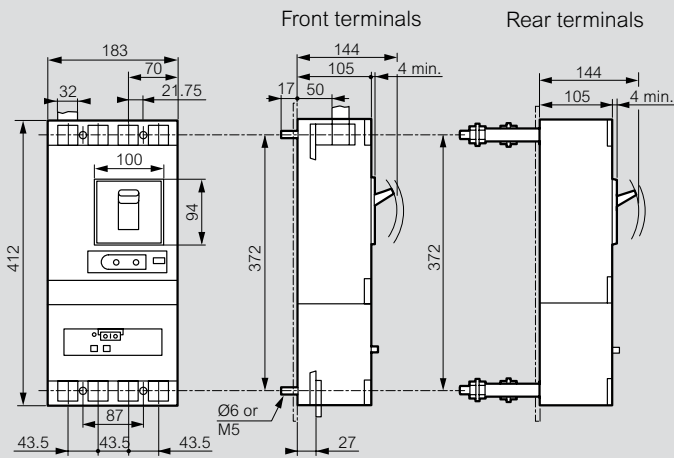
- Smaller dimension of rotary handle base for better visibility of parameters and better access to trip unit
- Only 3 parts for easy installation
- Spring for better play
- Door defeat mechanism for easy maintenance
- ON / OFF indication on the knob
- Pad Locking on the knob – upto 3 Locks

**Dimensions**

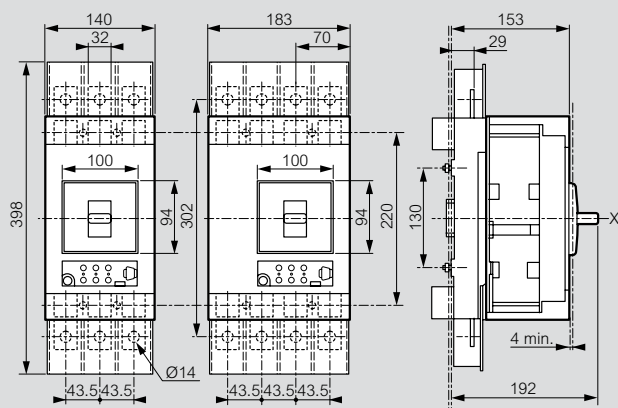
**Fixed version, front terminals**



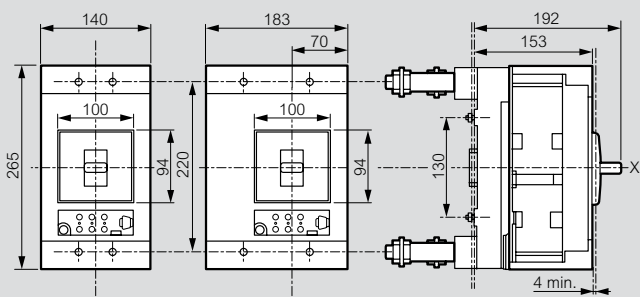
**Fixed version with earth leakage module mounted underneath**



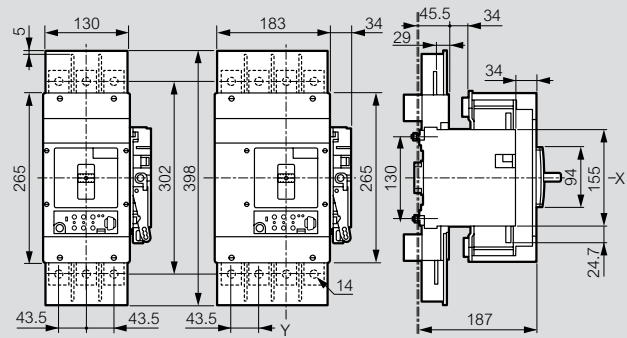
**Plug-in version, front terminals**



**Plug-in version, rear terminals**

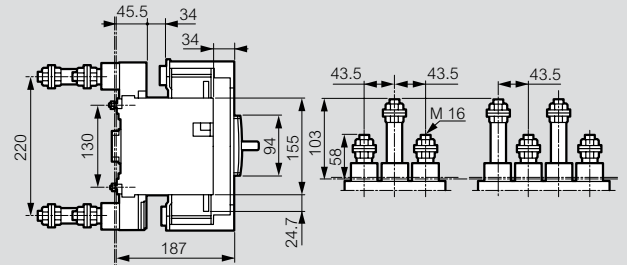


**Draw-out version, front terminals**

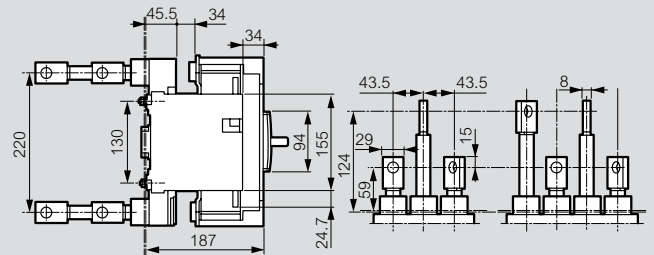


**Draw-out version, rear terminals**

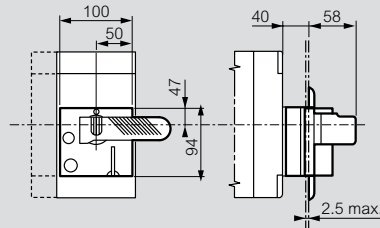
**Rear terminal with threaded rod**



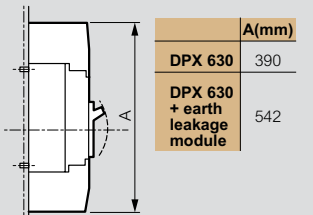
**Flat rear terminal**



**Rotary handle-direct on DPX<sup>3</sup>**



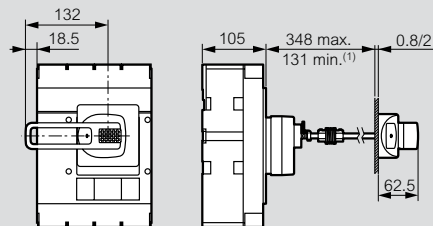
**Terminal shields**



	A(mm)
DPX 630	390
DPX 630 + earth leakage module	542

**Rotary handle-vari-depth handle on door**

**Mounting with flexible seal**



1: 75 mm without mechanical system