

DPX³ 160 equipment and mounting accessories



4 210 40



4 210 36

Pack	Cat.Nos	Equipment for plug-in version
1	4 210 40	A plug-in version DPX ³ is a fixed version DPX ³ mounted on a plug-in base
		Plug-in bases for DPX³ 160
1	4 210 40	Front or rear terminal mounting base For DPX ³ 160 - 3P
1	4 210 41	For DPX ³ 160 - 4P with or without earth leakage module
		Connectors for auxiliary contacts
1	4 210 44	Set of connectors
		Padlocks for plug-in base
1	4 210 45	Key barrel and flat key N° ABA90GEL6149
1	4 210 46	Key barrel and star key N° HBA90GPS6149
1	4 210 47	Padlock accessory

Pack	Cat.Nos	Connection accessories
		High capacity cage terminals
		For Cu/Al cables, 1 x 120 mm ² for flexible cables and 1 x 150 mm ² for rigid cable and 18 mm bars
1	4 210 26	Set of 3 terminals
1	4 210 27	Set of 4 terminals
		Cage terminals
		For Cu/Al cables, 1 x 70 mm ² for flexible cables and 1 x 95 mm ² for rigid cables and 14 mm bars
1	4 210 93	Set of 3 terminals
1	4 210 94	Set of 4 terminals
		Insulated shields (phase barriers)
1	4 210 70	Set of 36 insulated shields
		Screw terminals for bars connection
		For copper bars
1	4 210 28	Set of 3 terminals
1	4 210 29	Set of 4 terminals
		Spreaders
		For incoming bars or cable lugs
1	4 210 32	Set of 3 spreaders for DPX ³ 160 3P
1	4 210 33	Set of 4 spreaders for DPX ³ 160 4P
		Rear terminals
		Flat swivel terminals
		Used to convert a fixed version with front terminals to a fixed version with rear terminals
1	4 210 36	Set of 3 rear terminals for DPX ³ 160 3P
1	4 210 37	Set of 4 rear terminals for DPX ³ 160 4P

Pack	Cat.Nos	Sealable terminal shields
		For front terminals
1	4 210 54	For DPX ³ 160 3P
1	4 210 55	For DPX ³ 160 3P
		For rear terminals
1	4 210 50	For DPX ³ 160 3P
1	4 210 51	For DPX ³ 160 4P

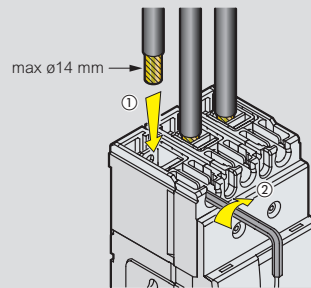
Pack	Cat.Nos	Fixing plates
		For fixing DPX ³ 160 on rail or on plate
1	4 210 71	For DPX ³ 160 3P/4P without earth leakage module
1	4 210 73	For DPX ³ 160 4P with earth leakage module
1	4 210 68	For DPX ³ 160 3P/4P with side mounting motor operator

DPX³ 160

connection

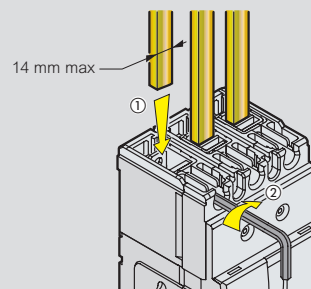
Connection

Direct connection

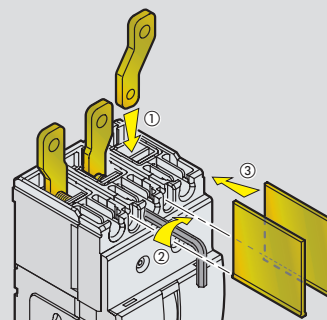


Flexible	Solid
1,5 → 70 mm ²	1,5 → 95 mm ²
#16 → #2/0 AWG	#16 → #4/0 AWG

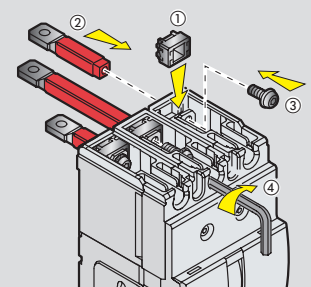
or



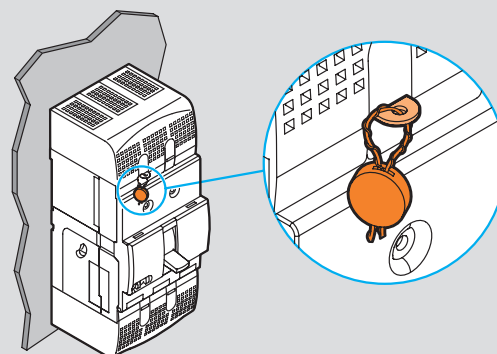
Spreaders



Rear terminals



Sealable terminal shield



Dimensions see e-catalogue



DPX³ 250 electronic release

MCCBs from 40 to 250 A (continued)



4 205 49

Electrical characteristics **see e-catalogue**
Dimensions **see e-catalogue**

Can be mounted on rail or on plate in XL³ cabinets and enclosures MCCBs for switching, control isolation and protection of low voltage electrical lines

Supplied with fixing screws, connection plates for bars and cable lugs and insulated shIELDS (phase barriers)

Can be fitted with cage terminals 120 mm² max. (flexible cable) or 150 mm² max. rigid cable (p. 133) and with DPX³ 160 and 250 common auxiliaries and accessories (p. 134)

Conform to IEC 60947-2

Pack	Cat.Nos		Electronic release Sg MCCBs - fixed version
			Breaking capacity I_{cu} 25 kA (400 V\sim)
	3P	4P	I _n (A)
1	4 205 02	4 205 12	40
1	4 205 05	4 205 15	100
1	4 205 07	4 205 17	160
1	4 205 09	4 205 19	250
			Breaking capacity I_{cu} 36 kA (400 V\sim)
1	4 205 22	4 205 32	40
1	4 205 25	4 205 35	100
1	4 205 27	4 205 37	160
1	4 205 29	4 205 39	250
			Breaking capacity I_{cu} 50 kA (400 V\sim)
1	4 205 42	4 205 52	40
1	4 205 45	4 205 55	100
1	4 205 47	4 205 57	160
1	4 205 49	4 205 59	250
			Breaking capacity I_{cu} 70 kA (400 V\sim)
1	4 206 92	4 207 02	40
1	4 206 95	4 207 05	100
1	4 206 97	4 207 07	160
1	4 206 99	4 207 09	250

Dimensions **see e-catalogue**



DPX³ 250 equipment and mounting accessories



4 210 44



4 210 31



4 210 72

Pack	Cat.Nos	Equipment for plug-in version
		A plug-in version DPX ³ is a fixed version DPX ³ mounted on a plug-in base
		Plug-in bases for DPX³ 250
		Front or rear terminal mounting base
1	4 210 42	For DPX ³ 250 - 3P
1	4 210 43	For DPX ³ 250 - 4P with or without earth leakage module
		Connectors for auxiliary contacts
1	4 210 44	Set of connectors
		Padlocks for plug-in base
1	4 210 45	Key barrel and flat key N° ABA90GEL6149
1	4 210 46	Key barrel and star key N° HBA90GPS6149
1	4 210 47	Padlock accessory
		Connection accessories
		Cage terminals
		For Cu/Al cables, 1 x 120 mm ² for flexible cables and 1 x 150 mm ² for rigid cables and lugs 28.5 x 8 x 8.5 mm
1	4 210 30	Set of 3 terminals
1	4 210 31	Set of 4 terminals
		Screw terminals for bar connections
1	4 210 79	Set of 3 terminals
1	4 210 80	Set of 4 terminals
		Insulated shields (phase barriers)
1	4 210 70	Set of 36 insulated shields
		Spreaders
		For incoming bars or cable lugs
1	4 210 34	Set of 3 spreaders for DPX ³ 250 3P
1	4 210 35	Set of 4 spreaders for DPX ³ 250 4P
		Rear terminals
		Flat swivel terminals
		Used to convert a fixed version with front terminals to a fixed version with rear terminals
1	4 210 38	Set of 3 rear terminals for DPX ³ 250 3P
1	4 210 39	Set of 4 rear terminals for DPX ³ 250 4P
		Sealable terminal shields
		For front terminals
1	4 210 56	For DPX ³ 250 3P
1	4 210 57	For DPX ³ 250 4P
		For rear terminals
1	4 210 52	For DPX ³ 250 3P
1	4 210 53	For DPX ³ 250 4P
		Fixing plates
1	4 210 72	For fixing DPX ³ 250 on rail or on plate
1	4 210 74	For DPX ³ 250 3P/4P without earth leakage module
1	4 210 69	For DPX ³ 250 3P/4P with side mounting motor operator

