

Ekinox³ SPN DB's

for DX³ MCB, Isolator, RCCB and RCBO



Ekinox³ ETPN DB's

for DX³ MCB, Isolator, RCCB and RCBO



5076 05



5076 12



5076 61



5076 82

Dimensions p. 11

- As per IEC 61439-3
- Suitable for Flush Mounting and Surface Mounting
- With 100 A Copper Busbar
- With Neutral bar, Earthbar and Cable ties for Cable management
- Fully shrouded Neutral bars
- Prefitted masking sheet
- Reversible Door for IP 43 & IP 54 DB's

| Pack | Cat.Nos | IP 30 - *IK 08 | Number of modules | MRP* ₹ / unit |
|---|---------|----------------|-------------------|------------------|
| 1 | 5076 00 | 4 way | 4 | 1126 |
| 1 | 5076 01 | 8 way | 8 | 1410 |
| 1 | 5076 02 | 12 way | 12 | 1672 |
| 1 | 5076 03 | 16 way | 16 | 2060 |
| 1 | 5076 04 | 18 way | 18 | 2400 |
| 1 | 5076 05 | 20 way | 20 | 2464 |
| IP 43 - *IK 09 with metal door | | | | |
| 1 | 5076 10 | 4 way | 4 | 1512 |
| 1 | 5076 11 | 8 way | 8 | 1874 |
| 1 | 5076 12 | 12 way | 12 | 2254 |
| 1 | 5076 13 | 16 way | 16 | 2830 |
| 1 | 5076 14 | 18 way | 18 | 3100 |
| 1 | 5076 15 | 20 way | 20 | 3498 |
| IP 43 - *IK 09 with acrylic door | | | | |
| 1 | 5076 20 | 4 way | 4 | 1930 |
| 1 | 5076 21 | 8 way | 8 | 2232 |
| 1 | 5076 22 | 12 way | 12 | 2714 |
| 1 | 5076 23 | 16 way | 16 | 3374 |
| 1 | 5076 24 | 18 way | 18 | 3700 |
| 1 | 5076 25 | 20 way | 20 | 3954 |
| IP 54 - *IK 09 | | | | |
| 1 | 5076 40 | 4 way | 4 | 5068 |
| 1 | 5076 41 | 8 way | 8 | 5956 |
| 1 | 5076 42 | 12 way | 12 | 6844 |
| 1 | 5076 43 | 16 way | 16 | 7612 |
| 1 | 5076 44 | 18 way | 18 | 8000 |
| 1 | 5076 45 | 20 way | 20 | 8448 |

Dimensions p. 12-13

- As per IEC 61439-3
- Suitable for Flush Mounting and Surface Mounting
- With 100 A Copper Busbar for each phase
- With Neutral bar, Earthbar and Cable ties for Cable management
- Fully insulated busbar & shrouded Neutral bars
- Improved Pan assembly for ease of installation
- Prefitted masking sheet
- Reversible Door for IP 43 & IP 54 DB's
- With provision for FP MCB/Isolator/RCCB/RCBO as incomer and SP MCB's as outgoing
- Supplied with wireset
- Can be converted to PPI DB at site using conversion kit

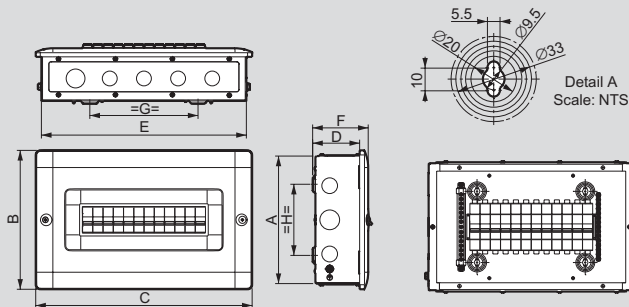
| Pack | Cat.Nos | IP 30 - *IK 08 | Number of modules | MRP* ₹ / unit |
|---|---------|----------------|-------------------|------------------|
| 1 | 5076 60 | 4 way | 8+12 | 3110 |
| 1 | 5076 61 | 6 way | 8+18 | 3836 |
| 1 | 5076 62 | 8 way | 8+24 | 4510 |
| 1 | 5076 63 | 12 way | 8+36 | 6684 |
| 1 | 5076 64 | 16 way | 8+48 | 8240 |
| 1 | 5076 66 | 20 way | 8+60 | 11494 |
| IP 43 - *IK 09 with metal door | | | | |
| 1 | 5076 70 | 4 way | 8+12 | 3698 |
| 1 | 5076 71 | 6 way | 8+18 | 4560 |
| 1 | 5076 72 | 8 way | 8+24 | 5466 |
| 1 | 5076 73 | 12 way | 8+36 | 8190 |
| 1 | 5076 74 | 16 way | 8+48 | 10154 |
| 1 | 5076 76 | 20 way | 8+60 | 14216 |
| IP 43 - *IK 09 with acrylic door | | | | |
| 1 | 5076 80 | 4 way | 8+12 | 4806 |
| 1 | 5076 81 | 6 way | 8+18 | 5934 |
| 1 | 5076 82 | 8 way | 8+24 | 7118 |
| 1 | 5076 83 | 12 way | 8+36 | 10916 |
| 1 | 5076 84 | 16 way | 8+48 | 13100 |
| 1 | 5076 86 | 20 way | 8+60 | 18340 |
| IP 54 - *IK 09 | | | | |
| 1 | 5076 90 | 4 way | 8+12 | 12074 |
| 1 | 5076 91 | 6 way | 8+18 | 14530 |
| 1 | 5076 92 | 8 way | 8+24 | 15892 |
| 1 | 5076 93 | 12 way | 8+36 | 22398 |
| 1 | 5076 94 | 16 way | 8+48 | 26878 |
| 1 | 5076 96 | 20 way | 8+60 | 33630 |

Ekinox³ DB's

SPN DB's

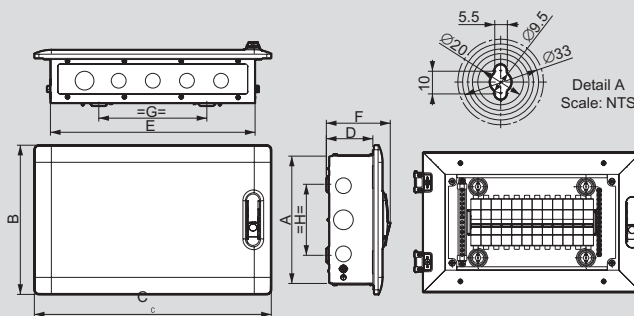
Dimensions

IP30



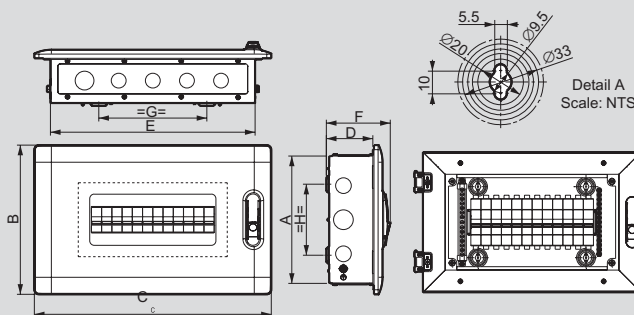
| Sr. No. | Type | E | A | D | C | B | F | G | H |
|---------|---------------|-----|-----|------|-----|-----|------|-----|-----|
| 1 | SPN 4 W IP30 | 218 | 224 | 82.5 | 238 | 244 | 97.5 | 118 | 125 |
| 2 | SPN 8 W IP30 | 290 | 224 | 82.5 | 310 | 244 | 97.5 | 120 | 125 |
| 3 | SPN 12 W IP30 | 360 | 224 | 82.5 | 380 | 244 | 97.5 | 190 | 125 |
| 4 | SPN 16 W IP30 | 435 | 224 | 82.5 | 455 | 244 | 97.5 | 265 | 125 |
| 5 | SPN 18 W IP30 | 470 | 224 | 82.5 | 490 | 244 | 97.5 | 300 | 125 |
| 6 | SPN 20 W IP30 | 505 | 224 | 82.5 | 525 | 244 | 97.5 | 335 | 125 |

IP43/54



| Sr. No. | Type | E | A | D | C | B | F | G | H |
|---------|------------------|-----|-----|----|-------|-------|-----|-----|-----|
| 1 | SPN 4 W IP43/54 | 218 | 224 | 82 | 274.8 | 262.4 | 112 | 118 | 125 |
| 2 | SPN 8 W IP43/54 | 290 | 224 | 82 | 346.8 | 262.4 | 112 | 120 | 125 |
| 3 | SPN 12 W IP43/54 | 360 | 224 | 82 | 416.8 | 262.4 | 112 | 190 | 125 |
| 4 | SPN 16 W IP43/54 | 435 | 224 | 82 | 491.8 | 262.4 | 112 | 265 | 125 |
| 5 | SPN 18 W IP43/54 | 470 | 224 | 82 | 526.8 | 262.4 | 112 | 300 | 125 |
| 6 | SPN 20 W IP43/54 | 505 | 224 | 82 | 561.8 | 262.4 | 112 | 335 | 125 |

IP43 Acrylic Door



| Sr. No. | Type | E | A | D | C | B | F | G | H |
|---------|--------------------|-----|-----|----|-------|-------|-----|-----|-----|
| 1 | SPN 4 W IP43 ACRY | 218 | 224 | 82 | 274.8 | 262.4 | 112 | 118 | 125 |
| 2 | SPN 8 W IP43 ACRY | 290 | 224 | 82 | 346.8 | 262.4 | 112 | 120 | 125 |
| 3 | SPN 12 W IP43 ACRY | 360 | 224 | 82 | 416.8 | 262.4 | 112 | 190 | 125 |
| 4 | SPN 16 W IP43 ACRY | 435 | 224 | 82 | 491.8 | 262.4 | 112 | 265 | 125 |
| 5 | SPN 18 W IP43 ACRY | 470 | 224 | 82 | 526.8 | 262.4 | 112 | 300 | 125 |
| 6 | SPN 20 W IP43 ACRY | 505 | 224 | 82 | 561.8 | 262.4 | 112 | 335 | 125 |

DX³

Easy, Safe Connection

Safety is prioritised with the innovative features of the DX³ products

The quality and hold of the connections are vital for the safety of distribution boards fitted with high breaking capacity MCBs. The connection areas are designed to make installation faster without compromising on the safety.

RELIABLE CONNECTIONS

Compensation for the effect of loosening to ensure excellent hold over time and consistent contact (In ≥ 80 A)

RISING CLAMP TERMINALS

ensure a high quality, durable connection



1,5 modules/pole

Black handle: circuit breakers
Grey handle: switches

Breaking capacity

- 16 kA
- 25 kA
- 36 kA
- 50 kA



RETRACTABLE INSULATING SHIELDS

With the integrated retractable insulating shields, no additional accessories are needed to isolate the connections on all breaking capacities and high ratings of the 1.5 modules/pole (In ≤ 63 A) circuit breakers.