

Ekinox³ SPN DB's

for DX³ MCB, Isolator, RCCB and RCBO



Ekinox³ ETPN DB's

for DX³ MCB, Isolator, RCCB and RCBO



5076 05



5076 12



5076 61



5076 82

Dimensions p. 11

- As per IEC 61439-3
- Suitable for Flush Mounting and Surface Mounting
- With 100 A Copper Busbar
- With Neutral bar, Earthbar and Cable ties for Cable management
- Fully shrouded Neutral bars
- Prefitted masking sheet
- Reversible Door for IP 43 & IP 54 DB's

Pack	Cat.Nos	IP 30 - *IK 08	Number of modules	MRP* ₹ / unit
1	5076 00	4 way	4	1126
1	5076 01	8 way	8	1410
1	5076 02	12 way	12	1672
1	5076 03	16 way	16	2060
1	5076 04	18 way	18	2400
1	5076 05	20 way	20	2464
IP 43 - *IK 09 with metal door				
1	5076 10	4 way	4	1512
1	5076 11	8 way	8	1874
1	5076 12	12 way	12	2254
1	5076 13	16 way	16	2830
1	5076 14	18 way	18	3100
1	5076 15	20 way	20	3498
IP 43 - *IK 09 with acrylic door				
1	5076 20	4 way	4	1930
1	5076 21	8 way	8	2232
1	5076 22	12 way	12	2714
1	5076 23	16 way	16	3374
1	5076 24	18 way	18	3700
1	5076 25	20 way	20	3954
IP 54 - *IK 09				
1	5076 40	4 way	4	5068
1	5076 41	8 way	8	5956
1	5076 42	12 way	12	6844
1	5076 43	16 way	16	7612
1	5076 44	18 way	18	8000
1	5076 45	20 way	20	8448

Dimensions p. 12-13

- As per IEC 61439-3
- Suitable for Flush Mounting and Surface Mounting
- With 100 A Copper Busbar for each phase
- With Neutral bar, Earthbar and Cable ties for Cable management
- Fully insulated busbar & shrouded Neutral bars
- Improved Pan assembly for ease of installation
- Prefitted masking sheet
- Reversible Door for IP 43 & IP 54 DB's
- With provision for FP MCB/Isolator/RCCB/RCBO as incomer and SP MCB's as outgoing
- Supplied with wireset
- Can be converted to PPI DB at site using conversion kit

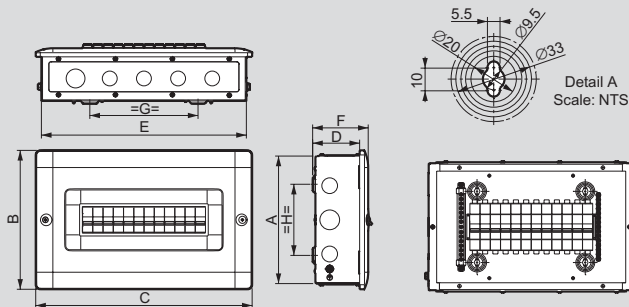
Pack	Cat.Nos	IP 30 - *IK 08	Number of modules	MRP* ₹ / unit
1	5076 60	4 way	8+12	3110
1	5076 61	6 way	8+18	3836
1	5076 62	8 way	8+24	4510
1	5076 63	12 way	8+36	6684
1	5076 64	16 way	8+48	8240
1	5076 66	20 way	8+60	11494
IP 43 - *IK 09 with metal door				
1	5076 70	4 way	8+12	3698
1	5076 71	6 way	8+18	4560
1	5076 72	8 way	8+24	5466
1	5076 73	12 way	8+36	8190
1	5076 74	16 way	8+48	10154
1	5076 76	20 way	8+60	14216
IP 43 - *IK 09 with acrylic door				
1	5076 80	4 way	8+12	4806
1	5076 81	6 way	8+18	5934
1	5076 82	8 way	8+24	7118
1	5076 83	12 way	8+36	10916
1	5076 84	16 way	8+48	13100
1	5076 86	20 way	8+60	18340
IP 54 - *IK 09				
1	5076 90	4 way	8+12	12074
1	5076 91	6 way	8+18	14530
1	5076 92	8 way	8+24	15892
1	5076 93	12 way	8+36	22398
1	5076 94	16 way	8+48	26878
1	5076 96	20 way	8+60	33630

Ekinox³ DB's

SPN DB's

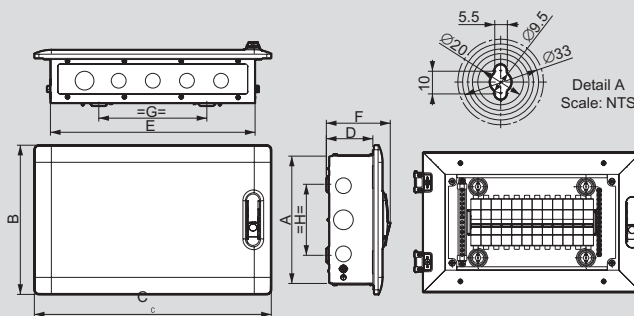
Dimensions

IP30



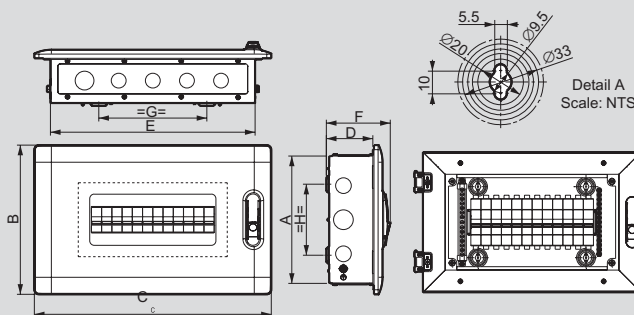
Sr. No.	Type	E	A	D	C	B	F	G	H
1	SPN 4 W IP30	218	224	82.5	238	244	97.5	118	125
2	SPN 8 W IP30	290	224	82.5	310	244	97.5	120	125
3	SPN 12 W IP30	360	224	82.5	380	244	97.5	190	125
4	SPN 16 W IP30	435	224	82.5	455	244	97.5	265	125
5	SPN 18 W IP30	470	224	82.5	490	244	97.5	300	125
6	SPN 20 W IP30	505	224	82.5	525	244	97.5	335	125

IP43/54



Sr. No.	Type	E	A	D	C	B	F	G	H
1	SPN 4 W IP43/54	218	224	82	274.8	262.4	112	118	125
2	SPN 8 W IP43/54	290	224	82	346.8	262.4	112	120	125
3	SPN 12 W IP43/54	360	224	82	416.8	262.4	112	190	125
4	SPN 16 W IP43/54	435	224	82	491.8	262.4	112	265	125
5	SPN 18 W IP43/54	470	224	82	526.8	262.4	112	300	125
6	SPN 20 W IP43/54	505	224	82	561.8	262.4	112	335	125

IP43 Acrylic Door



Sr. No.	Type	E	A	D	C	B	F	G	H
1	SPN 4 W IP43 ACRY	218	224	82	274.8	262.4	112	118	125
2	SPN 8 W IP43 ACRY	290	224	82	346.8	262.4	112	120	125
3	SPN 12 W IP43 ACRY	360	224	82	416.8	262.4	112	190	125
4	SPN 16 W IP43 ACRY	435	224	82	491.8	262.4	112	265	125
5	SPN 18 W IP43 ACRY	470	224	82	526.8	262.4	112	300	125
6	SPN 20 W IP43 ACRY	505	224	82	561.8	262.4	112	335	125

DX³

Easy, Safe Connection

Safety is prioritised with the innovative features of the DX³ products

The quality and hold of the connections are vital for the safety of distribution boards fitted with high breaking capacity MCBs. The connection areas are designed to make installation faster without compromising on the safety.

RELIABLE CONNECTIONS

Compensation for the effect of loosening to ensure excellent hold over time and consistent contact (In ≥ 80 A)

RISING CLAMP TERMINALS

ensure a high quality, durable connection



1,5 modules/pole

Black handle: circuit breakers
Grey handle: switches

Breaking capacity

- 16 kA
- 25 kA
- 36 kA
- 50 kA



RETRACTABLE INSULATING SHIELDS

With the integrated retractable insulating shields, no additional accessories are needed to isolate the connections on all breaking capacities and high ratings of the 1.5 modules/pole (In ≤ 63 A) circuit breakers.