

Ekinox³ Flexy DB

for DX³ DIN modular products



Ekinox³ TPN DB-VTPN DB's

for DX³ MCB, Isolator, RCCB and RCBO



5077 01



5077 11



5077 20



5077 31



Dimensions p. 14-15

- As per IEC 61439-3
- Suitable for Flush Mounting and Surface Mounting
- Completely flexible to organise the distribution as per site requirements
- Busbars to be selected as per distribution requirements
- With Neutral and Earth bars
- Fully shrouded Neutral bars
- Improved Pan assembly for ease of installation
- Prefitted masking sheet
- Reversible door for IP 43

Pack	Cat.Nos	IP 30 - #IK 08	Number of modules	MRP* ₹ / unit
1	5077 01	2 row of 14 modules	28	3940
1	5077 02	3 row of 14 modules	42	4728
1	5077 03	4 row of 14 modules	56	5418
IP 43 - #IK 09 with metal door				
1	5077 05	2 row of 14 modules	28	4644
1	5077 06	3 row of 14 modules	42	5580
1	5077 07	4 row of 14 modules	56	6078
1	5077 12	3 row of 14 modules MCCB for DPX ³ 160 MCCB	42	6136
IP 43 - #IK 09 with acrylic door				
1	5077 09	2 row of 14 modules	28	4912
1	5077 10	3 row of 14 modules	42	6028
1	5077 11	4 row of 14 modules	56	6824
1	5077 13	3 row of 14 modules MCCB for DPX ³ 160 MCCB	42	7234



Dimensions p. 16

- As per IEC 61439-3
- Suitable for Flush Mounting and Surface Mounting
- With 100 A Copper Busbar for each phase
- With 2 Neutral bar, 2 Earthbar and Cable ties for Cable management
- Fully insulated busbar & shrouded Neutral bars
- Improved Pan assembly for ease of installation
- Prefitted masking sheet
- Reversible Door for IP 43 & IP 54 DB's
- With provision for FP MCB/Isolator/RCCB/RCBO as incomer and SP/TP MCB's as outgoing

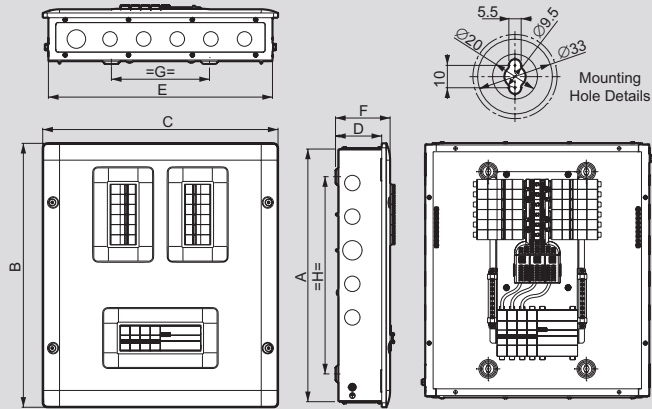
Pack	Cat.Nos	IP 30 - #IK 08	Number of modules	MRP* ₹ / unit
1	5077 20	4 way	8+12	8670
1	5077 21	6 way	8+18	9538
1	5077 22	8 way	8+24	10586
1	5077 23	12 way	8+36	15288
IP 43 - #IK 09 with metal door				
1	5077 25	4 way	8+12	9114
1	5077 26	6 way	8+18	10026
1	5077 27	8 way	8+24	11594
1	5077 28	12 way	8+36	15600
IP 43 - #IK 09 with acrylic door				
1	5077 30	4 way	8+12	12346
1	5077 31	6 way	8+18	13580
1	5077 32	8 way	8+24	15694
1	5077 33	12 way	8+36	20940
IP 54 - #IK 09				
1	5077 35	4 way	8+12	19558
1	5077 36	6 way	8+18	21514
1	5077 37	8 way	8+24	23526
1	5077 38	12 way	8+36	31348

Ekinox³ DB's

VTPN MCB

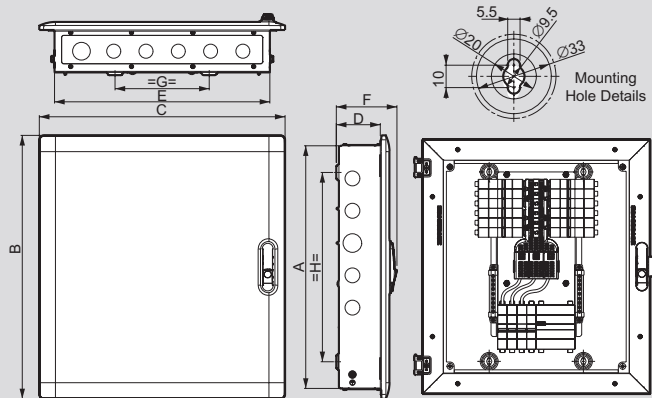
Dimensions

IP30



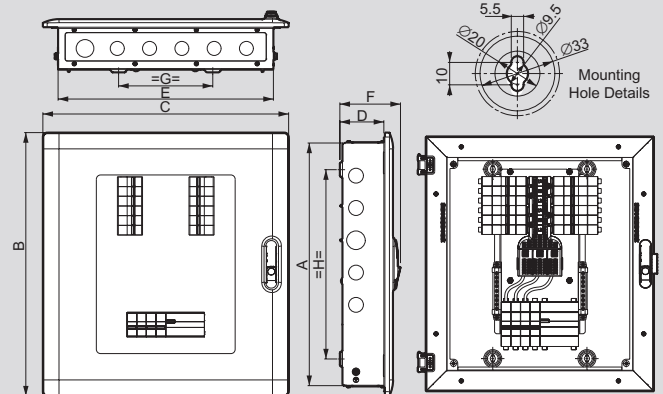
No. of Way	A	B	C	D	E	F	G	H
4	451	471	420	82.5	400	97.5	175	352
6	505	525	420	82.5	400	97.5	175	406
8	559	579	420	82.5	400	97.5	175	460
12	689	709	420	82.5	400	97.5	175	590
16	860	880	420	82.5	400	97.5	175	761

IP43 54



No. of Way	A	B	C	D	E	F	G	H
4	451	489.4	456.8	82	400	112	175	352
6	505	543.4	456.8	82	400	112	175	406
8	559	597.4	456.8	82	400	112	175	460
12	689	727.4	456.8	82	400	112	175	590
16	860	898.4	456.8	82	400	112	175	761

IP43 Acrylic



No. of Way	A	B	C	D	E	F	G	H
4	451	489.4	456.8	82	400	112	175	352
6	505	543.4	456.8	82	400	112	175	406
8	559	597.4	456.8	82	400	112	175	460
12	689	727.4	456.8	82	400	112	175	590
16	860	898.4	456.8	82	400	112	175	761