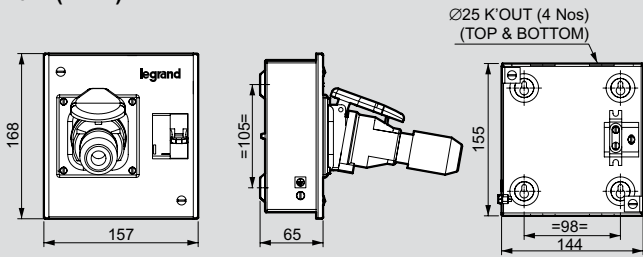


P-17 Tempra & Metra plug and socket DBs

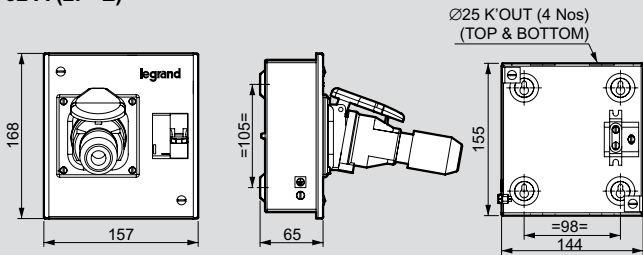
metal one way enclosures for DX³ MCBs, RCCBs and RCBOs

Dimensions

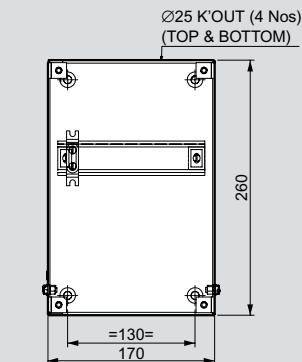
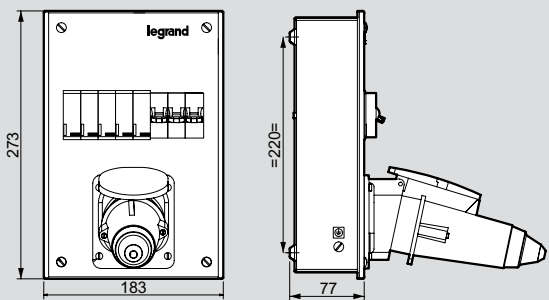
16 A (2P+E)



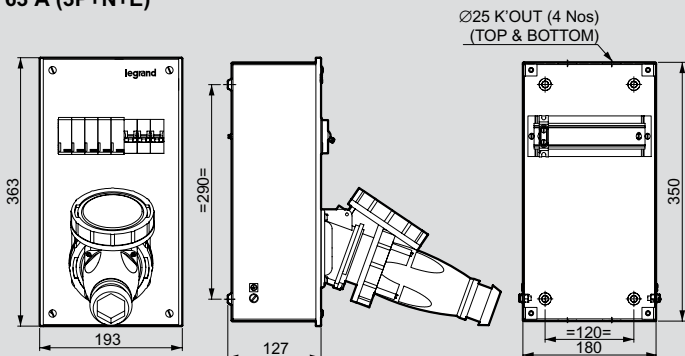
32 A (2P+E)



32 A (3P+E & 3P+N+E)

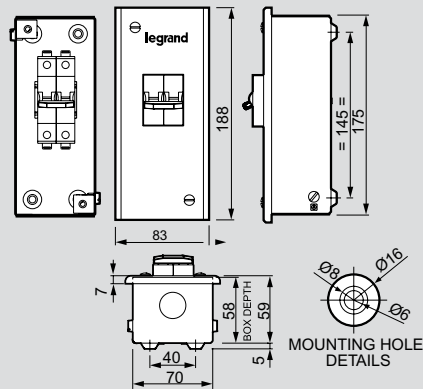


63 A (3P+N+E)



Dimensions

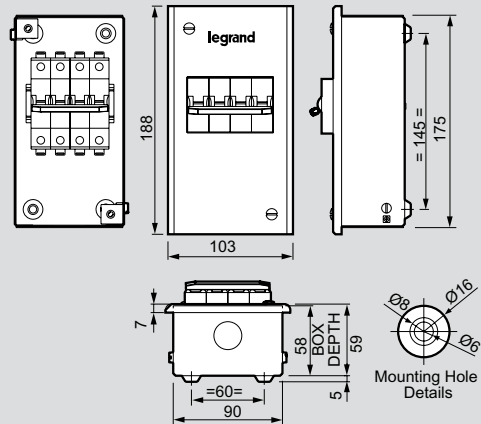
SP/DP MCB



Box clear depth = 58 mm (Excluding MTG Hole Embossing)
Enclosure SP/DP MCB

No. of ways	Top Ø 25 Knock out	Bottom Ø 25 Knock out
SP MCB	1 no.	1 no.
DP MCB	1 no.	1 no.

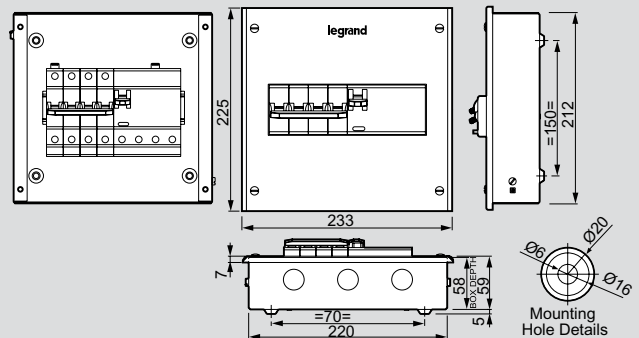
TP/FP MCB



Box clear depth = 58 mm (Excluding MTG Hole Embossing)
Enclosure TP/FP MCB

No. of ways	Top Ø 25 Knock out	Bottom Ø 25 Knock out
TP MCB	1 no	1 no
FP MCB	1 no	1 no

FP RCBO



Box clear depth = 58 mm (Excluding MTG Hole Embossing)
Enclosure FP RCBO

No. of ways	Top Ø 25 Knock out	Bottom Ø 25 Knock out
FP RCBO	3 nos.	3 nos.