

Ekinox³ TPN DB - 7 segment DB's for 160 A DPX³ MCCB



Ekinox³ Metra Plug & Socket DB's for DX³ MCB, RCCB and RCBO



5078 95

Dimensions p. 19

- As per IEC 61439-3
- DB with phase segmentation and separation between incomer and Outgoings
- Suitable for Flush Mounting and Surface Mounting
- With 100 A Copper Busbar for each phase
- With Neutral bar, Earthbar and Cable ties for Cable management
- Fully Color Shrouded Insulated bus bar and Neutral bars
- With provision for DPX³ 160 MCCB as incomer DP MCB/Isolator/RCCB/RCBO as sub incomers and SP MCB's as outgoing
- Supplied with wire set

Pack	Cat.Nos	IP 30 - *IK 08		MRP* ₹ / unit
1	5078 90	4 way	DPX ³ 160+12+12	12570
1	5078 91	6 way	DPX ³ 160+12+18	14462
1	5078 92	8 way	DPX ³ 160+12+24	16620
1	5078 93	12 way	DPX ³ 160+12+36	19296

Pack	Cat.Nos	IP 43 - *IK 09 with metal door		MRP* ₹ / unit
1	5078 95	4 way	DPX ³ 160+12+12	13844
1	5078 96	6 way	DPX ³ 160+12+18	15844
1	5078 97	8 way	DPX ³ 160+12+24	18142
1	5078 98	12 way	DPX ³ 160+12+36	20662



5078 14



5078 22

Dimensions p. 19

- As per IEC 61439-3
- Suitable for Flush Mounting and Surface Mounting
- Suitable for protection of appliances like AC/Geyser etc
- Supplied with Neutral Links
- With provision for mounting modular devices

Pack	Cat.Nos	*IK 08	Number of modules	MRP* ₹ / unit
1	5078 10	10 A SP, 2P+E	1	1496
1	5078 11	20 A SP, 2P+E	1	1608
1	5078 14	20 A DP, 2P+E	2	1750
1	5078 17	20 A TP, 3P+E	3	2966
1	5078 18	32 A TP, 3P+E	3	3518
1	5078 20	20 A DP RCBO, 2P+E	4	1696
1	5078 21	20 A FP RCBO, 2P+E	8	2962
1	5078 22	32 A FP RCBO, 3P+E	8	3492

Ekinox³ DB's : 7 Segment

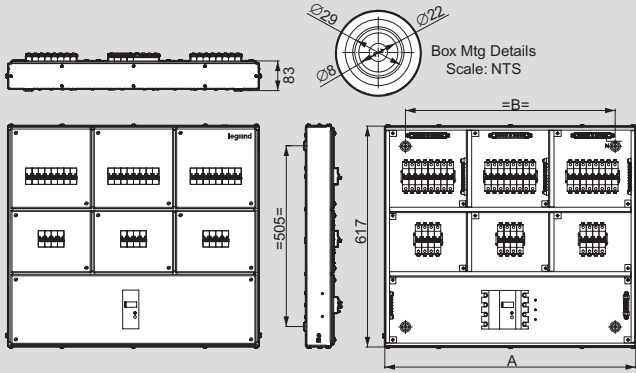
MCB, MCCB

Metra plug and socket DBs

for DX³ MCBs, RCCBs and RCBOs

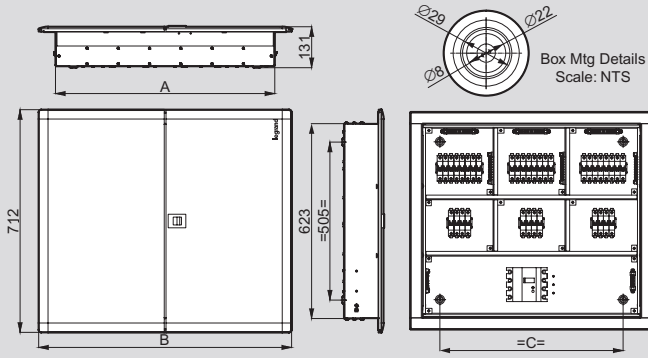
Dimensions

DPX³ 160 A MCCB IP30



No. of Way	A	B	Cat.No
4	491	376	5078 90
6	596	481	5078 91
8	701	586	5078 92
12	911	796	5078 93

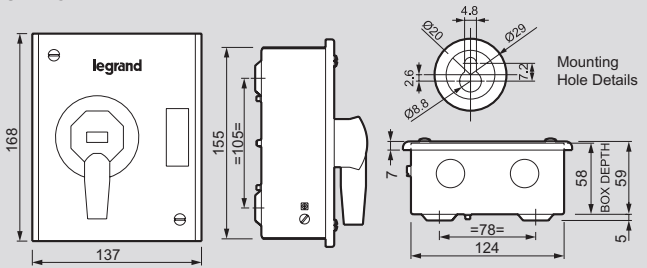
DPX³ 160 A MCCB IP43



No. of Way	A	B	C	Logo Size
4	491	598.6	376	20.9 x 63.8
6	596	703.6	481	30.3 x 92.3
8	701	808.6	586	30.3 x 92.3
12	911	1018.6	796	30.3 x 92.3

Dimensions

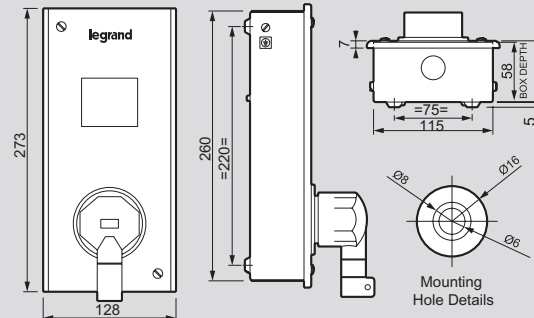
SP MCB



No. of ways	Top	Bottom
	Ø 25 Knock out	Ø 25 Knock out
10 A SP MCB	2 nos.	2 nos.
20 A SP MCB	2 nos.	2 nos.

Box clear depth = 58 mm (Excluding MTG Hole Embossing)
Metra 10 A/20 A SP MCB P&S DB

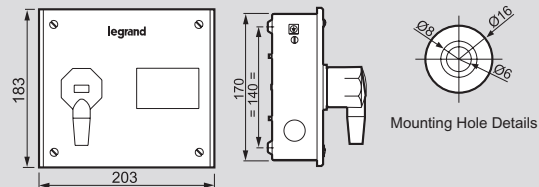
TP MCB



No. of ways	Top	Bottom
	Ø 25 Knock out	Ø 25 Knock out
20 A TP MCB	1 no.	1 no.
32 A TP MCB	1 no.	1 no.

Box clear depth = 58 mm (Excluding MTG Hole Embossing)
Metra 20 A/32 A TP MCB P&S DB

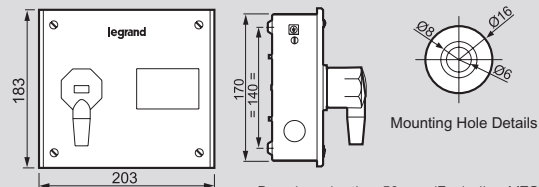
DP RCBO



Box clear depth = 58 mm (Excluding MTG Hole Embossing)
Metra 20 A DP RCBO P&S DB

No. of ways	Top	Bottom	Side
	Ø 25 Knock out	Ø 25 Knock out	Ø 25 Knock out
20 A DP RCBO	1 no.	1 no.	1 no.

FP RCBO



Box clear depth = 58 mm (Excluding MTG Hole Embossing)
Metra 20 A/32 A FP RCBO P&S DB

No. of ways	Top	Bottom	Side
	Ø 25 Knock out	Ø 25 Knock out	Ø 25 Knock out
20 A FP RCBO	1 no.	1 no.	1 no.
32 A FP RCBO	1 no.	1 no.	1 no.