



5079 12



5079 16



5079 27

Dimensions p. 21

- Useful for keeping extra cables
- Possible to mount on the top or bottom of the DB
- Provision for mounting terminal blocks
- Can be used as a terminal box adaptor also

Pack	Cat.Nos	For IP 30 DB's	MRP* ₹/ unit
1	5079 10	For SPN 4 W IP30	570
1	5079 12	For SPN 8 W IP30	662
1	5079 14	For SPN 12 W/VTPN/FLEXY	734
1	5079 16	For SPN 16 W/ETPN6 way DB	1034
1	5079 21	For ETPN 4 Way DB	994
1	5079 23	For ETPN 6 Way DB	1034
1	5079 25	For ETPN 8 Way DB	1848
1	5079 27	For ETPN 12 Way DB	2462
1	5079 29	For ETPN 16 Way DB	2462
1	5079 31	For ETPN 18 Way DB	2708
1	5079 33	For ETPN 20 Way DB	2708
1	5079 35	For all VTPN/FLEXY MCB	734
1	5079 37	For all VTPN MCCB DBS	2722
<b>For IP 43 DB's</b>			
1	5079 11	For SPN 4 way DB	662
1	5079 13	For SPN 8 way DB	762
1	5079 15	For SPN 12 way/VTPN/FLEXY DB	856
1	5079 17	For SPN 16 way/ETPN 6 way DB	1210
1	5079 18	For SPN 18 way DB	1240
1	5079 19	For SPN 20 way DB	1270
1	5079 22	For ETPN 4 way DB	1102
1	5079 24	For ETPN 6 way DB	1210
1	5079 26	For ETPN 8 way DB	2122
1	5079 28	For ETPN 12 way DB	2830
1	5079 30	For ETPN 16 way DB	2830
1	5079 32	For ETPN 18 way DB	3110
1	5079 34	For ETPN 20 way DB	3110
1	5079 36	For all VTPN/FLEXY MCB	856
1	5079 38	For all VTPN MCCB DBs	3064



5079 43

Dimensions p. 21

- Suitable for Mounting DX<sup>3</sup> Metering products
- Possible to mount on the top or bottom of the DB
- Provision for mounting Ammeter/Voltmeter/ASS/VSS
- \*IK09

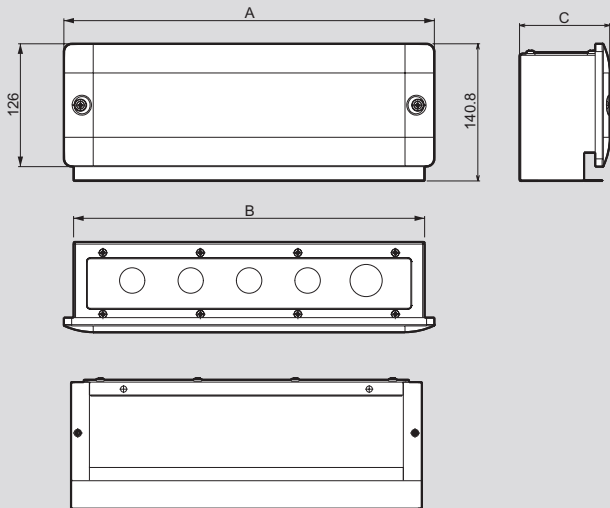
Pack	Cat.Nos	Provision for mounting meters	MRP* ₹/ unit
1	5079 40	For VTPN MCB INCOM IP30	3708
1	5079 41	For VTPN MCB INCOM IP43	4448
1	5079 42	For VTPN MCCB INCOM IP30	4120
1	5079 43	For VTPN MCCB INCOM IP43	4942
<b>Per Phase Isolation kit</b>			
1	5079 44	PPI conversion kit for ETPN 4 way DB	2128
1	5079 45	PPI conversion kit for ETPN 6 way DB	2396
1	5079 46	PPI conversion kit for ETPN 8 way DB	2776
1	5079 47	PPI conversion kit for ETPN 12 way DB	3094
1	5079 48	PPI conversion kit for ETPN 16 way DB	3476
<b>Panel Locks</b>			
1	5079 52	PANEL KNOB FOR IP43	240
1	5079 51	PANEL KNOB WITH KEY	510

## cable end box

## metering box

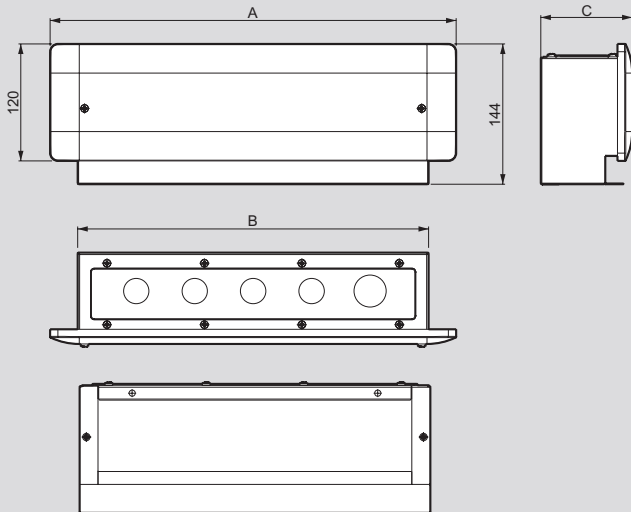
### Dimensions

IP30



TYPE	A	B	C	Box Depth
SPN 4 W	238	218	92.5	87
SPN 8 W	310	290	92.5	87
SPN 12 W	380	360	92.5	87
SPN 16 W / ETPN 6 W	455	435	92.5	87
SPN 18 W	490	470	92.5	87
SPN 20 W / ETPN 8 W	525	505	92.5	87
ETPN 12 W	670	650	92.5	87
ETPN 16 W	906	886	92.5	87
ETPN 20 W	1050	1030	92.5	87
FLEXY / ETPN 4 W / VTPN MCB	420	400	92.5	87
VTPN MCCB	420	400	117.5	112

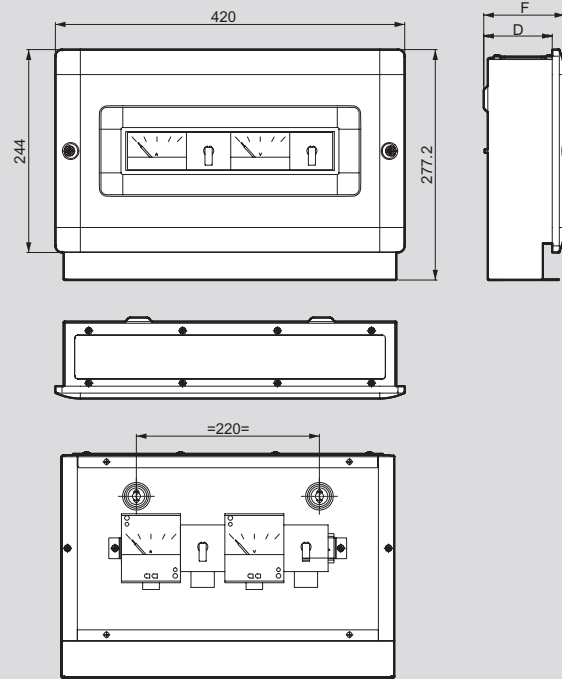
IP43



TYPE	A	B	C	Box Depth
SPN 4 W	238	218	92.5	87
SPN 8 W	310	290	92.5	87
SPN 12 W	380	360	92.5	87
SPN 16 W / ETPN 6 W	455	435	92.5	87
SPN 18 W	490	470	92.5	87
SPN 20 W / ETPN 8 W	525	505	92.5	87
ETPN 12 W	670	650	92.5	87
ETPN 16 W	906	886	92.5	87
ETPN 20 W	1050	1030	92.5	87
FLEXY / ETPN 4 W / VTPN MCB	420	400	92.5	87
VTPN MCCB	420	400	117.5	112

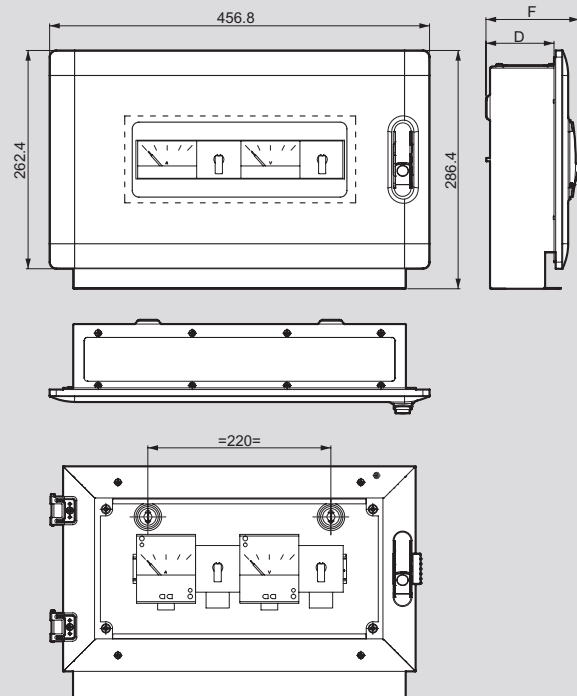
### Dimensions

IP30



TYPE	D	F	Box Depth
Meter Box VTPN MCCB	107.5	122.5	112

IP43 Acrylic



TYPE	D	F	Box Depth
Meter Box VTPN MCCB	107	137	112