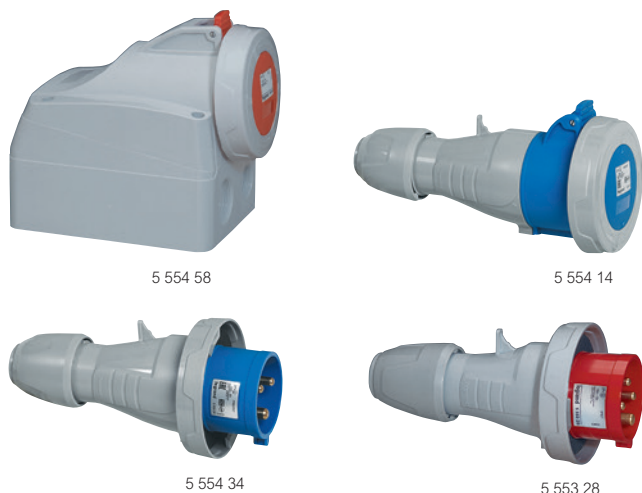


## P 17 Tempra Pro IP 66/67 LV 16 and 32 A



Technical characteristics [see e-catalogue](#)

Pack	Cat.Nos		Surface mounting sockets
	16 A	32 A	Two possible angles (5° or 25°)
5	5 553 54	5 554 54	<b>200/250 V</b> ~
5	5 553 55	5 554 55	2P+E
5	5 553 56	5 554 56	3P+E
			<b>380/415 V</b> ~
5	5 553 58	5 554 58	3P+N+E
5	5 553 59	5 554 59	3P+N+E

Pack	Cat.Nos		Panel mounting sockets
	16 A	32 A	Can be fixed on the faceplates (p. 346)
5	5 553 84	5 554 84	<b>200/250 V</b> ~
5	5 553 85	5 554 85	2P+E
5	5 553 86	5 554 86	3P+E
			<b>380/415 V</b> ~
5	5 553 88	5 554 88	3P+N+E
5	5 553 89	5 554 89	3P+N+E

Pack	Cat.Nos		Mobile sockets
	16 A	32 A	Supplied unlocked
5	5 553 04	5 554 14	<b>200/250 V</b> ~
5	5 553 05	5 554 15	2P+E
5	5 553 06	5 554 16	3P+E
			<b>380/415 V</b> ~
5	5 553 08	5 554 18	3P+N+E
5	5 553 09	5 554 19	3P+N+E

Pack	Cat.Nos		Straight plugs
	16 A	32 A	Supplied unlocked
5	5 553 24	5 554 34	<b>200/250 V</b> ~
5	5 553 25	5 554 35	2P+E
5	5 553 26	5 554 36	3P+E
			<b>380/415 V</b> ~
5	5 553 28	5 554 38	3P+N+E
5	5 553 29	5 554 39	3P+N+E

Pack	Cat.Nos		Appliance inlets
	16 A	32 A	<b>200/250 V</b> ~
5	0 568 03	0 568 23	2P+E
5	0 568 04	-	3P+E
			<b>380/415 V</b> ~
5	0 568 07	0 568 27	3P+E
5	0 568 08	0 568 28	3P+N+E








## P 17 Tempra Pro IP 66/67 LV 32 A for refrigerated containers



Pack	Cat.Nos	Combined unit, plug and mobile socket for refrigerated containers
1	6 571 06	32 A - 440 V~ - 50/60 Hz - 3P+E - 3 hours IK 09 Plastic body and cover - Stainless steel screws Combined unit with interlocked switched socket - Double mechanical interlock - Cable glands are not supplied
5	5 554 91	Panel mounting socket
5	5 554 21	Mobile socket With cable grip Ø12 to 21.5 mm
5	5 554 41	Straight plug With cable grip Ø12 to 21.5 mm

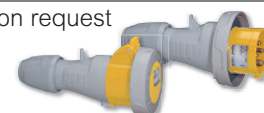
# P 17 Tempra Pro IP 66/67 - LV 16, 32, 63 and 125 A

## selection chart

Conform to IEC 60309-1 and IEC 60309-2 IP 44 according to IEC 60529 IK 09 according to IEC 62262 Material: polyamide 6 Self-extinguishing: 850 °C (support of active parts) / 650 °C (plastic housing)			FUNCTIONS						
			SURFACE MOUNTING SOCKETS	PANEL MOUNTING SOCKETS	INTERLOCKED SWITCHED SOCKETS WITH SMALL FLANGE	MOBILE SOCKETS	STRAIGHT PLUGS	ANGLED PLUGS	APPLIANCE INLETS
LV									
			Female connector	Female connector	Female connector	Female connector	Male connector	Male connector	Male connector
200 to 250 V <sub>~</sub> 50/60 Hz	16 A	2P+E	5 553 54	5 553 84	0 573 20 <sup>(1)(2)</sup>	5 553 04	5 553 24	0 565 03	0 568 03
		3P+E	5 553 55	5 553 85		5 553 05	5 553 25		0 568 04
		3P+N+E	5 553 56	5 553 86		5 553 06	5 553 26		
	32 A	2P+E	5 554 54	5 554 84		5 554 14	5 554 34	0 565 23	0 568 23
		3P+E	5 554 55	5 554 85		5 554 15	5 554 35		
		3P+N+E	5 554 56	5 554 86		5 554 16	5 554 36		
	63 A	2P+E	5 555 54	5 555 84		5 555 04	5 555 24		5 555 14
		3P+E	5 555 55	5 555 85		5 555 05	5 555 25		
		3P+N+E	5 555 56	5 555 86		5 555 06	5 555 26		
380 to 415 V <sub>~</sub> 50/60 Hz	16 A	3P+E	5 553 58	5 553 88	0 573 21 <sup>(1)(2)</sup>	5 553 08	5 553 28		0 568 07
		3P+N+E	5 553 59	5 553 89	0 573 22 <sup>(1)(2)</sup>	5 553 09	5 553 29		0 568 08
	32 A	3P+E	5 554 58	5 554 88		5 554 18	5 554 38		0 568 27
		3P+N+E	5 554 59	5 554 89		5 554 19	5 554 39	0 565 28	0 568 28
	63 A	3P+E	5 555 58	5 555 88		5 555 08	5 555 28		5 555 18
		3P+N+E	5 555 59	5 555 89		5 555 09	5 555 29		5 555 19
	125 A	3P+E	5 556 58	5 556 88		5 556 08	5 556 28		5 556 18
		3P+N+E	5 556 59	5 556 89		5 556 09	5 556 29		5 556 19
	440 V <sub>~</sub> 50/60 Hz for refrigerated containers	32 A	3P+E		5 554 91		5 554 21	5 554 41	

1: IP 55 - 2: Can be fitted only on faceplate Cat.No 0 577 23 (p. 346)

 Other voltages available on request  
**Please, consult us**



P17 Tempra combined units to be composed

- IK 08 according to IEC 62262
- Self-extinguishing: 650 °C
- Max. IP 66

Bases and faceplates dimensions p. 348

**Example of combined unit configuration**

0 577 04 with emergency stop button, appliance inlet and interlocked switched sockets      0 577 20 with interlocked switched sockets

**COMBINED UNITS HEIGHT 220 MM TO 441 MM**

**BASES FOR 220 x 125 MM FACEPLATES - MAX IP 66**

Surface mounting box	Base up to 2 sockets 16 A	Base up to 4 sockets 16 A	Base up to 6 sockets 16 A
220 x 125 mm <sup>(4)</sup>	371 x 125 mm <sup>(4)</sup> Rail 5 modules 17.5 mm	441 x 265 mm <sup>(4)</sup> Rail 12 modules 17.5 mm	441 x 405 mm <sup>(4)</sup> Rail 18 modules 17.5 mm
Pack    Cat.No	Pack    Cat.No	Pack    Cat.No	Pack    Cat.No
1    0 577 10	1    0 589 38	1    0 577 05 <sup>(7)</sup>	1    0 577 06 <sup>(7)</sup>

**220 X 125 MM FACEPLATES**

1 socket 16 or 32 A	2 sockets 16 A	1 socket 63 A	Plain plate
Pack    Cat.No	Pack    Cat.No	Pack    Cat.No	Pack    Cat.No
5    0 577 12	5    0 577 13 <sup>(1)</sup>	2    0 577 17	5    0 577 15

**EXAMPLE OF SOCKETS**

ELV (p. 343)	IP 44		
20/25 V~	16 A 2P	0 552 45	
	32 A 2P	0 552 95	
Domestic pin (p. 343)	IP 54 <sup>(3)</sup>		
250 V	16 A 2P+E	0 576 72/76	
LV (p. 342)	IP 44	IP 66-67	
200/250 V~	16 A 2P+E	5 551 84 ; 5 553 84	
	32 A 2P+E	5 552 84 ; 5 554 84	
	63 A 2P+E	- ; 5 555 84	
380/415 V~	16 A	3P+E	5 551 88 ; 5 553 88
		3P+N+E	5 551 89 ; 5 553 89
	32 A	3P+E	5 552 88 ; 5 554 88
		3P+N+E	5 552 89 ; 5 554 89
	63 A	3P+E	- ; 5 555 88
		3P+N+E	- ; 5 555 89

**Examples of most common combinations with bases for 220 x 125 mm faceplates**

Base	Total number of sockets on the base	Socket combination	Face plate according to the socket intensity		
			16 A	32 A	63 A
0 577 10 or 0 589 38	1	1 x 16 A or 1 x 32 A or 1 x 63 A	0 577 12	0 577 12	0 577 17
	2	2 x 16 A	0 577 13	-	-
0 577 05	2	2 x 16 A or 2 x 32 A or 2 x 63 A	0 577 12 x 2	0 577 12 x 2	0 577 17 x 2
		1 x 16 A + 1 x 32 A	0 577 12	0 577 12	-
	3	1 x 16 or 32 A + 1 x 63 A	0 577 12	-	0 577 17
		3 x 16 A	0 577 12 + 0 577 13	-	-
0 577 06	3	2 x 16 A + 1 x 32 A	0 577 13	0 577 12	-
		2 x 16 A + 1 x 63 A	0 577 13	-	0 577 17
		3 x 16 A or 3 x 32 A or 3 x 63 A	0 577 12 x 3	0 577 12 x 3	0 577 17 x 3
	4	1 x 16 or 32 A + 2 x 63 A	0 577 12	-	0 577 17 x 2
		2 x 16 or 32 A + 1 x 63 A	0 577 12 x 2	-	0 577 17
		2 x 16 A + 1 x 32 A + 1 x 63 A	0 577 13	0 577 12	0 577 17
5	2 x 16 A + 2 x 32 A	0 577 13	0 577 12 x 2	-	
	2 x 16 A + 2 x 63 A	0 577 13	-	0 577 17 x 2	
	4 x 16 A + 1 x 32 A	0 577 13 x 2	0 577 12	-	
6	4 x 16 A + 1 x 63 A	0 577 13 x 2	-	0 577 17	
		16 A	0 577 13 x 3	-	-

**COMBINED UNITS HEIGHT 280 MM TO 501 MM**

**BASES FOR 280 x 125 MM FACEPLATES - MAX IP 66**

Surface mounting box	Base up to 3 sockets 16 A	Base up to 6 sockets 16 A	Base up to 9 sockets 16 A
280 x 125 mm <sup>(4)</sup>	421 x 125 mm <sup>(4)</sup> Rail 5 modules 17.5 mm	501 x 265 mm <sup>(4)</sup> Rail 12 modules 17.5 mm	501 x 405 mm <sup>(4)</sup> Rail 18 modules 17.5 mm
Pack    Cat.No	Pack    Cat.No	Pack    Cat.No	Pack    Cat.No
3    0 577 11	1    0 577 20	1    0 577 03 <sup>(7)</sup>	1    0 577 04 <sup>(7)</sup>

**280 x 125 MM FACEPLATE**

2 sockets 16 or 32 A	2 interlocked switched sockets 16 A (p. 342)	1 socket 16 or 32 A and 1 socket 63 A	3 sockets 16 A <sup>(2)</sup>	Plain plate
Pack    Cat.No	Pack    Cat.No	Pack    Cat.No	Pack    Cat.No	Pack    Cat.No
4    0 577 18 <sup>(1)</sup>	1    0 577 23	2    0 577 19 <sup>(1)</sup>	4    0 577 14 <sup>(1)</sup>	4    0 577 16

**EXAMPLE OF SOCKETS**

ELV (p. 343)	IP 44		
20/25 V~	16 A 2P	0 552 45	
	32 A 2P	0 552 95	
Domestic pin (p. 343)	IP 54 <sup>(3)</sup>		
250 V	16 A 2P+E	0 576 72/76	
LV (p. 342)	IP 44	IP 66-67	
200/250 V~	16 A 2P+E	5 551 84 ; 5 553 84	
	32 A 2P+E	5 552 84 ; 5 554 84	
	63 A 2P+E	- ; 5 555 84	
380/415 V~	16 A	3P+E	5 551 88 ; 5 553 88
		3P+N+E	5 551 89 ; 5 553 89
	32 A	3P+E	5 552 88 ; 5 554 88
		3P+N+E	5 552 89 ; 5 554 89
	63 A	3P+E	- ; 5 555 88
		3P+N+E	- ; 5 555 89

**Examples of most common combinations with bases for 280 x 125 mm faceplates**

Base	Total number of sockets on the base	Socket combination	Face plate according to the socket intensity		
			16 A	32 A	63 A
0 577 11 or 0 577 20	2	2 x 16 A or 2 x 32 A	0 577 18	-	-
	3	2 x 16 A interlocked sw.	0 577 23	-	-
0 577 03	4	3 x 16 A	0 577 14	-	-
		4 x 16 A or 4 x 32 A	0 577 18 x 2	-	-
		2 x 16 or 32 A + 2 x 63 A	0 577 19 x 2	-	-
	5	3 x 16 or 32 A + 1 x 63 A	0 577 18 + 0 577 19	-	-
		4 x 16 A interlocked sw.	0 577 23 x 2	-	-
0 577 04	6	3 x 16 A + 1 x 16 or 32 A + 1 x 63 A	0 577 14 + 0 577 19	-	-
		3 x 16 A + 2 x 16 or 32 A	0 577 14 + 0 577 18	-	-
		6 x 16 A or 32 A	0 577 18 x 3	-	-
	7	3 x 16 or 32 A + 3 x 63 A	0 577 19 x 3	-	-
		5 x 16 or 32 A + 1 x 63 A	0 577 18 x 2 + 0 577 19	-	-
		4 x 16 or 32 A + 2 x 63 A	0 577 18 + 0 577 19 x 2	-	-
	8	6 x 16 A interlocked sw.	0 577 23 x 3	-	-
		3 x 16 A + 2 x 16 or 32 A + 2 x 63 A	0 577 14 + 0 577 19 x 2	-	-
		3 x 16 A + 4 x 16 or 32 A	0 577 14 + 0 577 18 x 2	-	-
9	3 x 16 A + 3 x 16 or 32 A + 1 x 63 A	0 577 14 + 0 577 18 + 0 577 19	-	-	
	6 x 16 A + 1 x 16 or 32 A + 1 x 63 A	0 577 14 x 2 + 0 577 19	-	-	
	6 x 16 A + 2 x 16 or 32 A	0 577 14 x 2 + 0 577 18	-	-	
		16 A	0 577 14 x 3	-	-

1: Supplied with blanking plate - 2: To be fixed horizontally except 16 A domestic pin sockets, vertically (IP 44 - connected) - 3: IP 54 cover closed - IP 44 connected  
 4: External dimensions: H x W - 5: Interlocked switched socket with small flange - 6: IP 55 - Interlocked switched socket with small flange - 7: Can be used with the wall mounting lugs Cat.No 0 019 69 (p. 256)

# P 17 Tempra Pro IP 44 - LV 16 and 32 A

## Characteristics

Terminal connection:

• Panel and surface mounting sockets

16 A: max. 1 x 4 mm<sup>2</sup> rigid

32 A: max. 1 x 10 mm<sup>2</sup> rigid

• Appliance inlets:

16 A: max. 1 x 2.5 mm<sup>2</sup> rigid

32 A: max. 1 x 6 mm<sup>2</sup> rigid

• Plugs and mobile sockets:

16 A: max. 1 x 2.5 mm<sup>2</sup> flexible

32 A: max. 1 x 6 mm<sup>2</sup> flexible

IP 44 according to IEC and EN 60529

IK 08 according to EN 50102 for interlocked switched sockets with small flange

IK 09 according to IEC 62262 and EN 62262

Material: polyamide 6

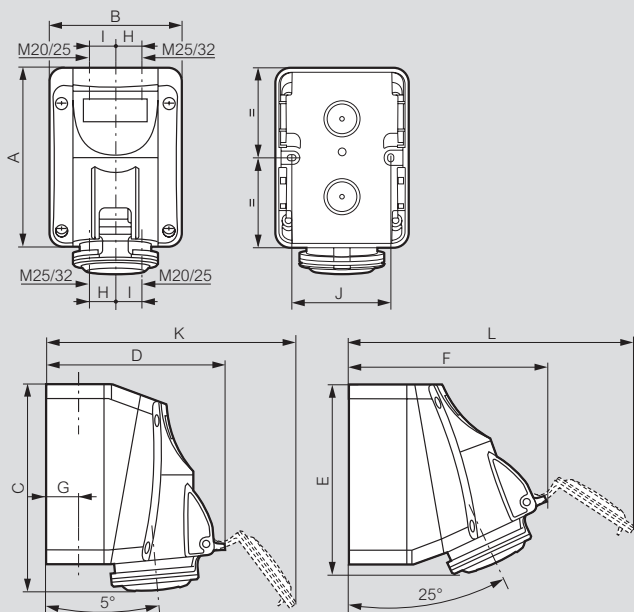
Self-extinguishing: 850 °C (support of active parts) / 650 °C (plastic housing)

- 25 °C to + 40 °C according to IEC 60309-1

## Dimensions

### Surface mounting sockets

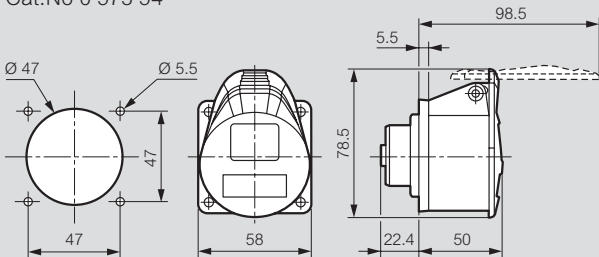
Cat.Nos 5 551 54/55/56/57/58/59 and 5 552 54/55/56/57/58/59



	A	B	C	D	E	F	G	H	I	J	K	L
<b>LV 16 A</b>												
2P+E	125	93	147	126	138	139	22	17	20	70	176	195
3P+E	125	93	147	134	138	147	22	17	20	70	190	210
3P+N+E	125	93	147	140	138	153	22	17	20	70	201	221
<b>LV 32 A</b>												
2P+E	150	113	174	156	163	172	28	22	26	90	220	245
3P+E	150	113	174	156	163	172	28	22	26	90	220	245
3P+N+E	150	113	174	162	163	177	28	22	26	90	230	256

### Panel mounting socket straight outlet small flange

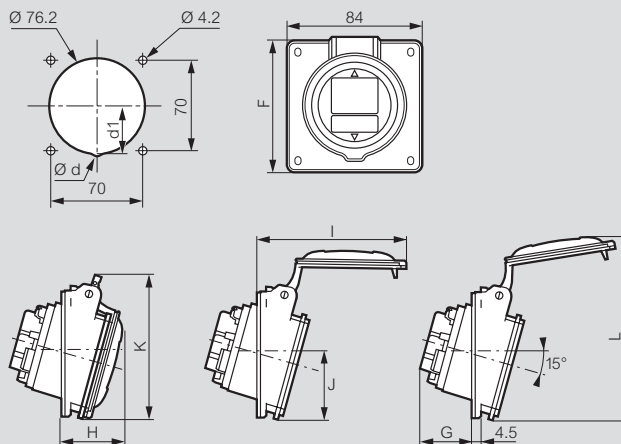
Cat.No 0 573 54



Weight (kg) = 0.105

### Panel mounting sockets inclined outlet

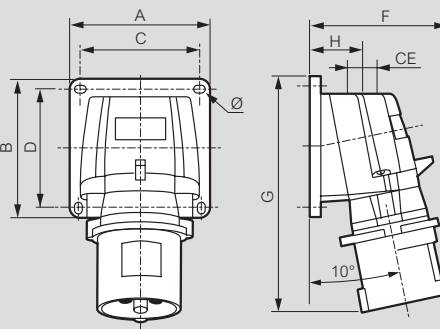
Cat.Nos 0 551 84/85/86/88/89 and 5 552 84/85/86/88/89



	Ød	d1	F	G	H	I	J	K	L
<b>LV 16 A</b>									
2P+E	-	-	84	33.5	37.5	85	42	88.5	112.5
3P+E	-	-	84	35.5	38.5	93	42	91.5	118.5
3P+N+E	-	-	84	36.5	39.5	100	43.3	97	123.5
<b>LV 32 A</b>									
2P+E	-	-	94	41.5	45.5	110	47	102	131
3P+E	8	36	94	42.5	46.5	117	47	107.5	138

### Appliance inlets

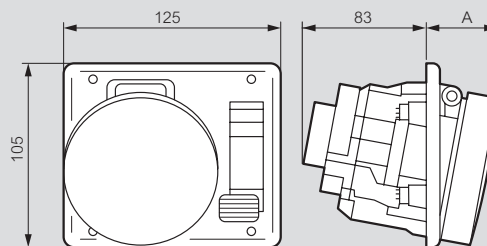
Cat.Nos 0 575 84/88/89 and 0 582 84/88/89



	Weight (kg)	A	B	C	D	F	G	H	CE	Ø
<b>LV 16 A</b>										
2P+E	0.168	84	84	72	72	77	126	34	M20	4.3
3P+E	0.232	84	84	72	72	84	134	34	M20	4.3
3P+N+E	0.256	84	84	72	72	91	141	34	M20	4.3
<b>LV 32 A</b>										
2P+E	0.325	110	110	98	98	96	168	39	M25	5.3
3P+E	0.364	110	110	98	98	102	168	39	M25	5.3

### Interlocked switched sockets with small flange

Cat.Nos 0 573 00/01/02 and 0 573 20/21/22



	16 A	IP	A	IP	A
2P+E	44	38	55	45	
3P+E	44	38	55	45	
3P+N+E	44	38	55	45	

# P 17 Tempra Pro IP 44 - LV 16 and 32 A

mobile products

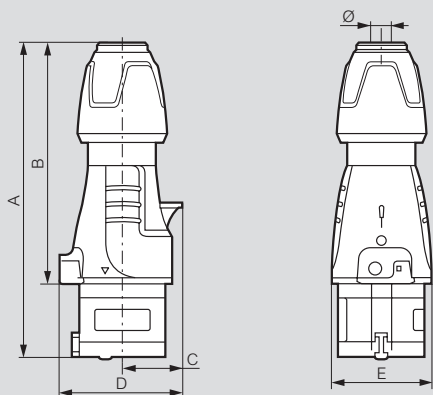
# P 17 Tempra domestic pin configuration

16 A - 250 V

## Dimensions

### Straight plugs

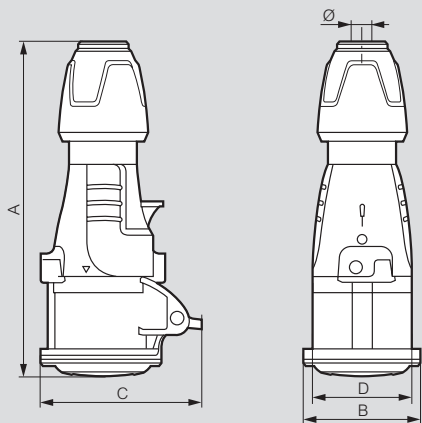
Cat.Nos 5 551 24/25/26/27/28/29 and 5 552 34/35/36/37/38/39



	A	B	C	D	E	Ø
<b>LV 16 A</b>						
2P+E	146 to 157	109.5 to 120.5	30	61	50	6.5 to 14
3P+E	146 to 157	109.5 to 120.5	34	67	55	7.10 to 15.5
3P+N+E	163 to 176	126.5 to 139.5	38	76	65	8 to 20
<b>LV 32 A</b>						
2P+E	172 to 185	127 to 140	40	78	65	8 to 20
3P+E	172 to 185	127 to 140	40	78	65	8 to 20
3P+N+E	179 to 189	133 to 143	45	86	71	11.9 to 22.2

### Mobile sockets

Cat.Nos 5 551 04/05/06/07/08/09 and 5 552 34/35/36/37/38/39

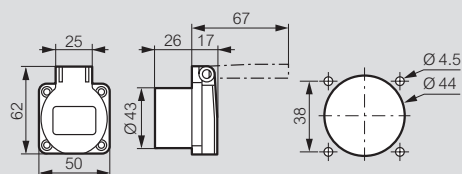


	A	B	C	D	Ø
<b>LV 16 A</b>					
2P+E	156 to 167	59	81	50	6.5 to 14
3P+E	157 to 168	65	88	55	7.10 to 15.5
3P+N+E	175 to 188	72	94	65	8 to 20
<b>LV 32 A</b>					
2P+E	184 to 197	73	99	65	8 to 20
3P+E	184 to 197	73.5	99	65	8 to 20
3P+N+E	190 to 203	79.5	105	71	11.9 to 22.2

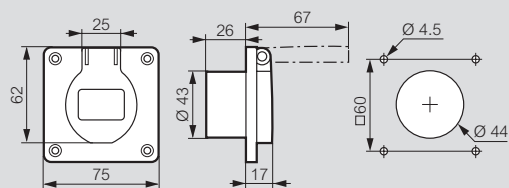
## Dimensions

### Domestic pin configuration sockets

Cat.Nos 0 576 69/75

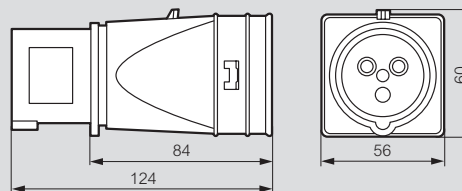


Cat.Nos 0 576 72/76



### Adaptor 16 A - 230 V

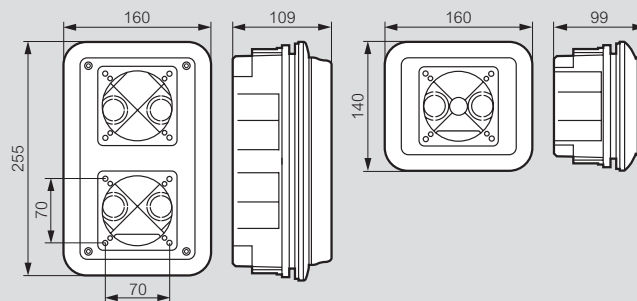
Cat.No 0 521 05



### Flush mounting boxes

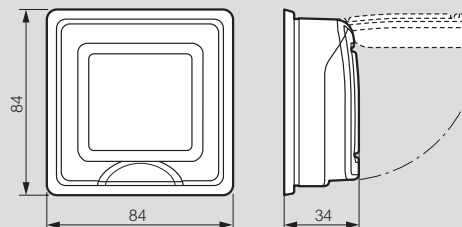
Cat.No 0 577 21

Cat.No 0 577 22



### Panel mounting adaptor

Cat.No 0 539 48



# P 17 Tempra IP 44 - ELV 16 and 32 A

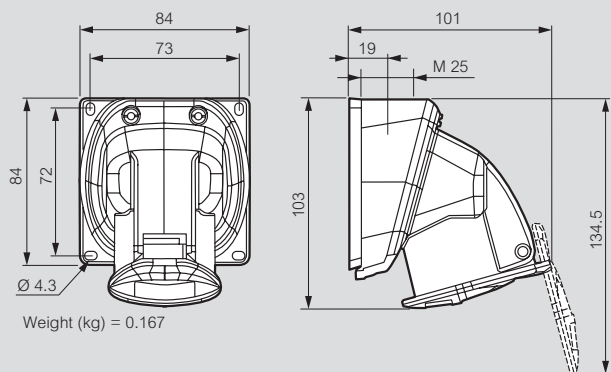
## Characteristics

Terminal connection:  
 Max. 1 x 10 mm<sup>2</sup> (rigid for fixed products flexible for mobile products)  
 IP 44 according to IEC 60529 and EN 60529  
 IK 09 according to IEC 62262 and EN 62262  
 Material: plastic  
 Self-extinguishing: 850 °C (support of active parts) / 650 °C (plastic housing)  
 Temp. rating: - 25 °C to + 40 °C  
 Conform to IEC 60309-1 / IEC 60309-2 and EN 60309-1 / EN 60309-2

## Dimensions

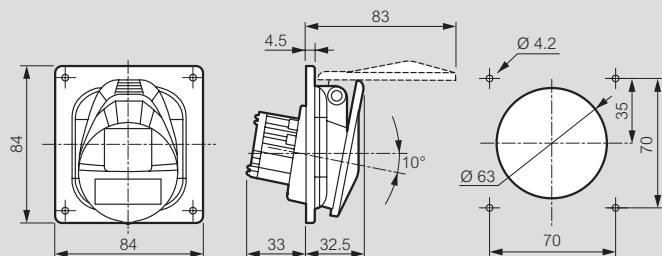
### Surface mounting sockets

Cat.Nos 0 552 06/56



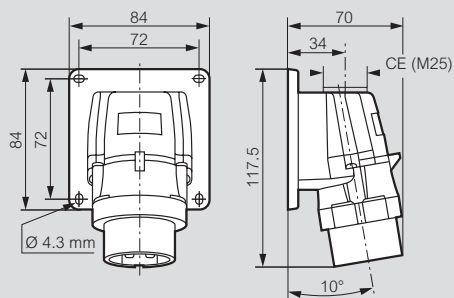
### Panel mounting sockets

Cat.Nos 0 552 45/95



### Appliance inlets

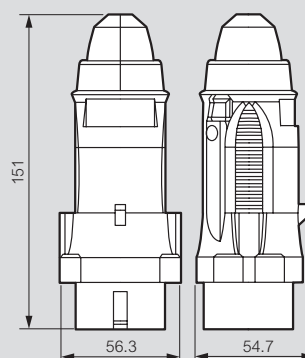
Cat.Nos 0 552 41/91



## Dimensions ELV 16 and 32 A

### Straight plugs

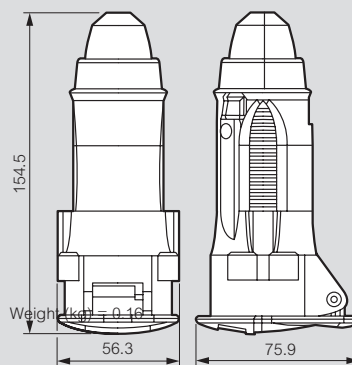
Cat.Nos 0 555 21/71



Weight (kg) = 0.132

### Mobile sockets

Cat.Nos 0 552 31/81



# P 17 Tempra Pro IP 66/67 - LV 16 and 32 A

## Characteristics

Terminal connection:

- Panel and surface mounting sockets
- 16 A: max. 1 x 4 mm<sup>2</sup> rigid - 32 A: max. 1 x 10 mm<sup>2</sup> rigid
- Plugs, mobile sockets:
- 16 A: max. 1 x 2,5 mm<sup>2</sup> flexible - 32 A: max. 1 x 6 mm<sup>2</sup> flexible

• Appliance inlets:

16 A: max. 1 x 2,5 mm<sup>2</sup> rigid - 32 A: max. 1 x 6 mm<sup>2</sup> rigid

IP 66/67 according to IEC 60529 and EN 60529

IK 09 according to IEC 62262 and EN 62262

Material: polyamide 6

Self-extinguishing: 850 °C (support of active parts) / 650 °C (plastic housing)

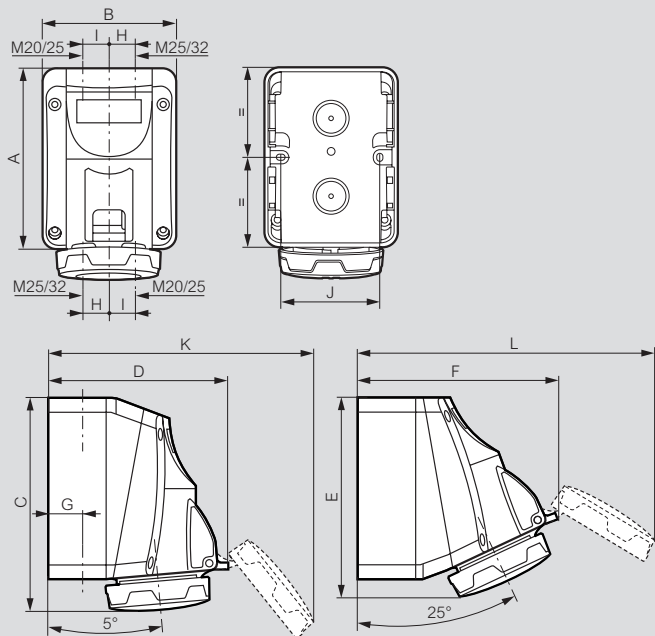
Temp. rating: - 25 °C to + 40 °C

Conform to IEC 60309-1 and IEC 60309-2

## Dimensions

### Surface mounting sockets

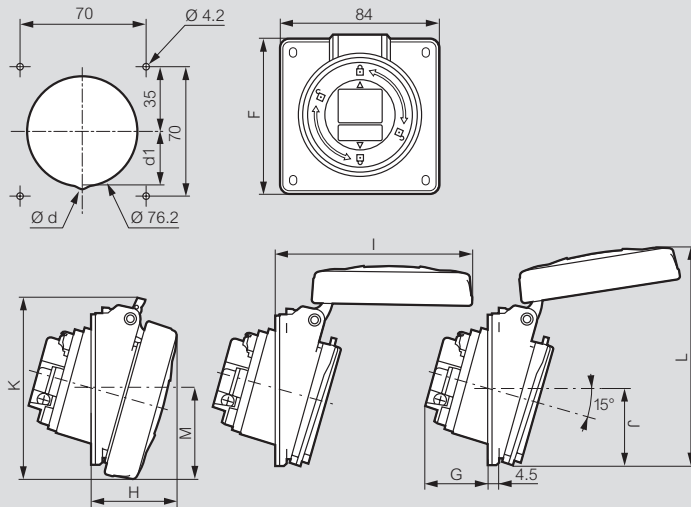
Cat.Nos 5 553 54/55/56/58/59 and 5 554 54/55/56/58/59



	A	B	C	D	E	F	G	H	I	J	K	L
<b>LV 16 A</b>												
2P+E	125	93	144	125	131	137	22	17	20	70	178	200
3P+E	125	93	144	133	131	145	22	17	20	70	194	215
3P+N+E	125	93	144	139	131	150	22	17	20	70	205	227
<b>LV 32 A</b>												
2P+E	150	113	171	155	156	170	28	22	26	90	224	250
3P+E	150	113	171	161	156	175	28	22	26	90	231	260
3P+N+E	150	113	171	161	156	175	28	22	26	90	231	260

### Panel mounting sockets

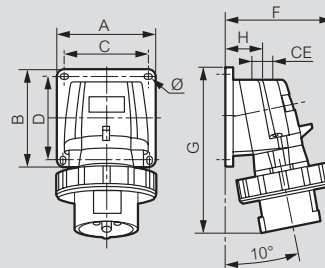
Cat.Nos 5 553 84/85/86/88/89 and 5 554 84/85/86/88/89



	Dimensions (mm)									
	Ød	d1	F	G	H	I	M	J	L	K
<b>LV 16 A</b>										
2P+E	-	-	84	33.5	42	94	42.5	42	114	88
3P+E	-	-	84	35.5	43	101	46	42	118	94.5
3P+N+E	-	-	84	36.5	44	108.5	50	42.5	123	101
<b>LV 32 A</b>										
2P+E/ 3P+E	-	-	94	41.5	50.5	118	54.5	47.5	129.5	105.5
3P+N+E	8	36	94	42.5	51.5	124.5	57.5	51	137	112

### Appliance inlets

Cat.Nos 0 568 03/04/07/08/23/27/28



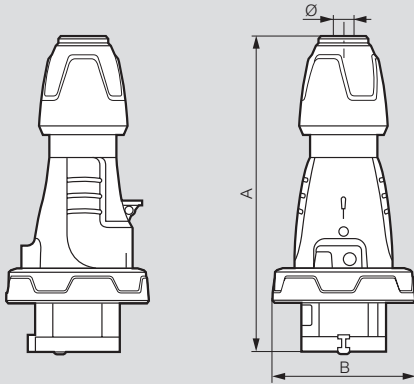
	Weight (kg)	A/B	C/D	F	G	H	CE	Ø
<b>LV 16 A</b>								
2P+E	0.188	84	72	87	126	34	M 20	4,3
3P+E	0.257	84	72	95	134	34	M 20	4,3
3P+N+E	0.297	84	72	100	141	34	M 20	4,3
<b>LV 32 A</b>								
2P+E	0.370	110	98	107	168	39	M 25	5,3
3P+E	0.413	110	98	113	168	39	M 25	5,3

## P 17 Tempra Pro IP 66/67 LV 16 and 32 A - mobile products

### ■ Dimensions

#### Straight plugs

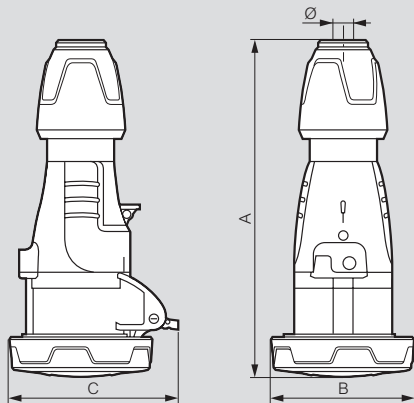
Cat.Nos 5 553 24/25/26/28/29 and 5 554 34/35/36/38/39



	A	B	Ø
<b>LV 16 A</b>			
2P+E	146 to 157	72.5	6.5 to 14
3P+E	146 to 157	80.5	7.10 to 15.5
3P+N+E	163 to 176	89	8 to 20
<b>LV 32 A</b>			
2P+E	172 to 185	93	8 to 20
3P+E	172 to 185	93	8 to 20
3P+N+E	179 to 189	100	11.9 to 22.2

#### Mobile sockets

Cat.Nos 5 553 04/05/06/08/09 and 5 554 14/15/16/18/19



	A	B	C	Ø
<b>LV 16 A</b>				
2P+E	159 to 170	72.5	86	6.5 to 14
3P+E	159 to 170	80.5	93	7.1 to 15.5
3P+N+E	179 to 190	89	100	8 to 20
<b>LV 32 A</b>				
2P+E	187 to 200	93	104	8 to 20
3P+E	187 to 200	93	104	8 to 20
3P+N+E	192 to 205	100	110.5	11.9 to 22.2

## P 17 Tempra Pro IP 66/67 - LV 63 A

### ■ Characteristics

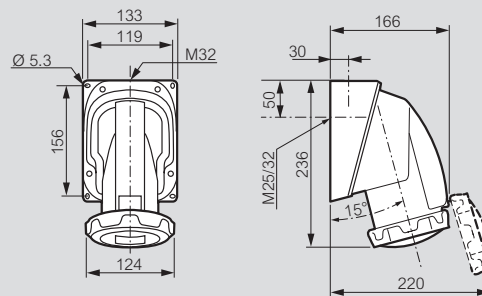
Terminal connection:

- Panel and surface mounting sockets  
63 A: max. 1 x 25 mm<sup>2</sup> rigid - 125 A: max. 1 x 70 mm<sup>2</sup> rigid
  - Appliance inlets:  
63 A: max. 1 x 16 mm<sup>2</sup> rigid - 125 A: max. 1 x 50 mm<sup>2</sup> rigid
  - Plugs and mobile sockets:  
63 A: max. 1 x 16 mm<sup>2</sup> flexible - 125 A: max. 1 x 50 mm<sup>2</sup> flexible
- IP 66/67 according to IEC 60529 and EN 60529  
IK 09 according to IEC 62262 and EN 62262  
Material: plastic  
Self-extinguishing: 850 °C (support of active parts) / 650 °C (plastic housing)  
Temp. rating: - 25 °C to + 40 °C. According to IEC 60309-1 and IEC 60309-2

### ■ Dimensions

#### Surface mounting sockets

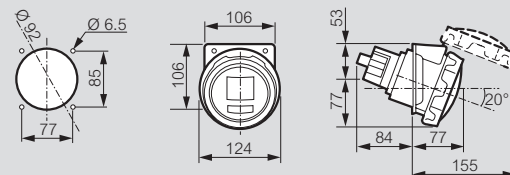
Cat.Nos 5 555 54/55/56/58/59



	Weight (kg)
3P+E	0.900
3P+N+E	0.950

#### Panel mounting sockets (inclined outlet)

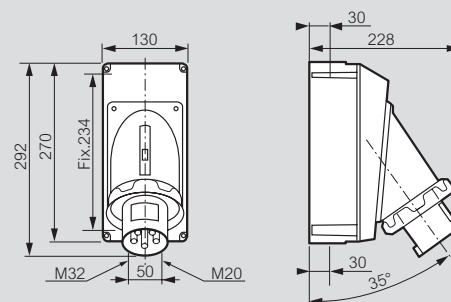
Cat.Nos 5 555 84/85/86/88/89



	Weight (kg)
3P+E	0.710
3P+N+E	0.770

#### Appliance inlets

Cat.Nos 5 555 14/18/19



	Weight (kg)
3P+E	1.540
3P+N+E	1.610



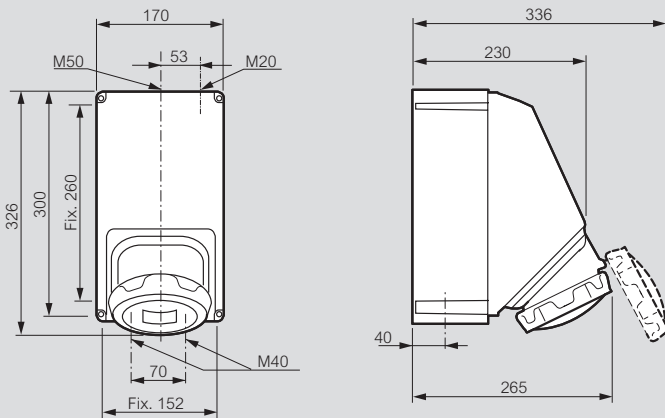
## P 17 Tempra Pro IP 66/67 - LV 125 A

## P 17 Tempra Pro IP 66/67 - LV 63 and 125 A mobile products

### ■ Dimensions

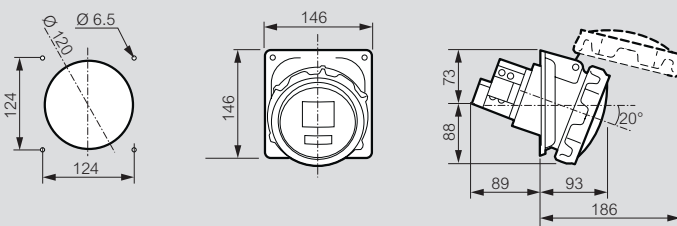
#### Surface mounting sockets

Cat.Nos 5 556 58/59



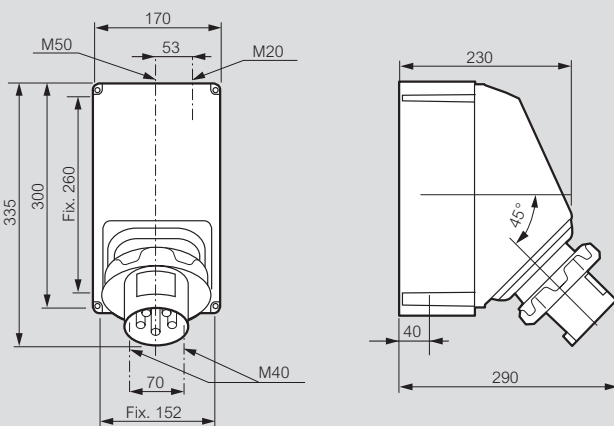
#### Panel mounting sockets

Cat.Nos 5 556 88/89



#### Appliance inlets

Cat.Nos 5 556 18/19

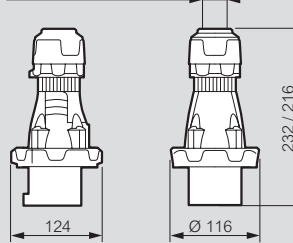


### ■ Dimensions LV 63 A

#### Straight plugs

Cat.Nos 5 555 24/25/26/28/29

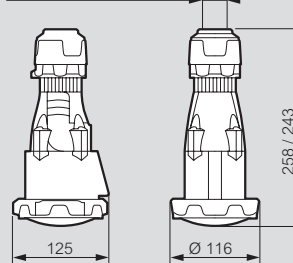
2P+T : Ø14.1 / 27.6  
3P+T : Ø15.7 / 30.1  
3P+N+T : Ø17.5 / 33



#### Mobile sockets

Cat.Nos 5 555 04/05/06/08/09

2P+T : Ø14.1 / 27.6  
3P+T : Ø15.7 / 30.1  
3P+N+T : Ø17.5 / 33

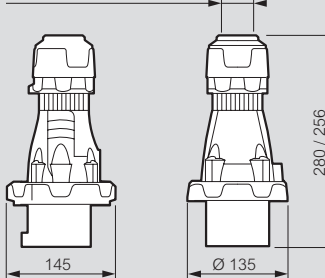


### ■ Dimensions LV 125 A

#### Straight plugs

Cat.Nos 5 556 28/29

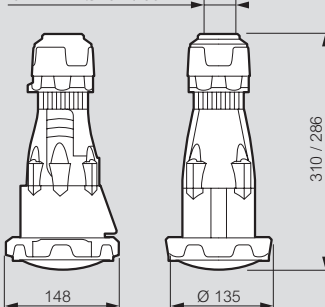
3P+T : Ø23.8 / 47.5  
3P+N+T : Ø26.4 / 50



#### Mobile sockets

Cat.Nos 5 556 08/09

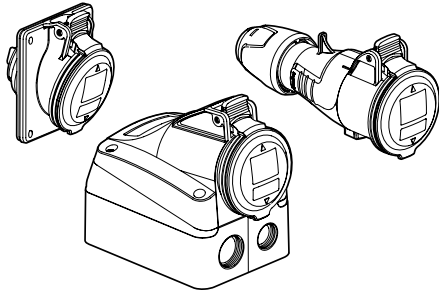
3P+T : Ø23.8 / 47.5  
3P+N+T : Ø26.4 / 50



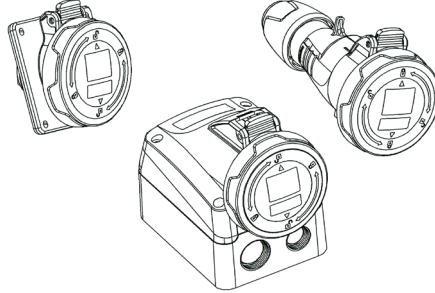
**Plugs, mobile sockets,  
panel mounting sockets,  
surface mounting sockets,  
P17 Tempra Pro IP44 and low voltage 66/67**

Catalogue number(s): 5 551 01/02/04/05/06/07/08/09/10/12/13/21/  
22/24/25/ 26/27/28/29/30/32/33/51/52/54/55/  
56/57/58/59/60/62/63/81/84/85/86/88/89/90/  
92/93 - 5 552 11/14/15/16/17/18/19/20/22/23/  
31/34/35/36/37/38/39/40/42/43/51/54/55/56/  
57/58/59/60/62/63/81/84/85/86/88/89/90/92/  
93 - 5 553 01/04/05/06/08/09/12/21/24/25/26/  
28/29/32/51/54/55/56/58/59/62/81/84/85/86/  
88/89/92 - 5 554 14/15/16/18/19/21/22/31/34/  
35/36/38/39/41/42/43/51/54/55/56/58/59/62/  
63/81/84/85/86/88/89/91/92

**IP44**



**IP66/67**



**CONTENTS**

Page

1. General characteristics .....	1
2. Use .....	1
3. Range/Equivalence table .....	1
4. Dimensions .....	3
5. Technical characteristics .....	6
6. Installation .....	7
7. Connection .....	9
8. Standards & regulations .....	10
9. Accessories .....	10

**1. GENERAL CHARACTERISTICS**

- 16 to 32A IP44 AND IP66/67
  - Material: PA6 RAL 7042
  - IK 09
- The surface mounting sockets and mobile sockets are used for current distribution  
The plugs are to be equipped with portable or mobile electrical equipment (i.e.: lamp, air compressor, welding units, etc...)  
Connected to a mobile socket, they together form an extension.

**2. USE**

- A. Panel mounting sockets and surface mounting sockets**
- For fixing using captive screws
  - 5.5 screw PZ2 with mixed head (flat or Pozidriv screwdriver 5.5)
  - Incline:
    - 15° for panel mounting sockets
    - 5 or 25° for surface mounting sockets
  - Removable contact support for surface mounting sockets.
  - On surface mounting sockets, 4 sealed and threaded entries for cable gland ISO mounting.
- B. Mobile plugs and sockets**
- For fixing using captive screws
  - 5.5 screw PZ2 with mixed head (flat or Pozidriv screwdriver 5.5)
  - Quarter-turn closing of the product without fixing screw and locking (supplied unlocked) by locking slat
  - Integrated cable gland with locknut claws
  - Automatic sealing with cable insertion
  - Cable splicing with simple tightening of the cable gland
  - Captive cable gland
  - Number of openings/closures tested: 30

**2. USE (CONTINUED)**

**Easy and quick cabling**

Automatic sealing with cable insertion



1/4 turn closing without fixing screw and locking by metal slat

**3. RANGE/EQUIVALENCE TABLE**

**16A straight plug**



		IP44			IP66/67	
	Name	P17 Tempra Pro IP 44	P17 Tempra IP 44	P17 Sherpa IP 44	P17 Tempra Pro IP 66/67	P17 Tempra IP 66/67
100/130V	2P+E	5 551 21	0 574 21	0 574 31	5 553 21	0 563 00
	3P+E	5 551 22	0 574 22			
200/250V	2P+E	5 551 24	0 574 24	0 574 34	5 553 24	0 563 03
	3P+E	5 551 25	0 574 25		5 553 25	0 563 04
	4P+E	5 551 26	0 574 26		5 553 26	0 563 05
380/415V	2P+E	5 551 27	0 574 27			
	3P+E	5 551 28	0 574 28	0 574 38	5 553 28	0 563 07
	4P+E	5 551 29	0 574 29	0 574 39	5 553 29	0 563 08
440/460V	3P+E	5 551 30	6 573 07			
480/500V	3P+E	5 551 32	0 563 59		5 553 32	
	4P+E	5 551 33	0 563 60			

**Plugs, mobile sockets,  
panel mounting sockets,  
surface mounting sockets,  
P17 Tempra Pro IP44 and low voltage 66/67**



Catalogue number(s): 5 551 01/02/04/05/06/07/08/09/10/12/13/21/  
22/24/25/ 26/27/28/29/30/32/33/51/52/54/55/  
56/57/58/59/60/62/63/81/84/85/86/88/89/90/  
92/93 - 5 552 11/14/15/16/17/18/19/20/22/23/  
31/34/35/36/37/38/39/40/42/43/51/54/55/56/  
57/58/59/60/62/63/81/84/85/86/88/89/90/92/  
93 - 5 553 01/04/05/06/08/09/12/21/24/25/26/  
28/29/32/51/54/55/56/58/59/62/81/84/85/86/  
88/89/92 - 5 554 14/15/16/18/19/21/22/31/34/  
35/36/38/39/41/42/43/51/54/55/56/58/59/62/  
63/81/84/85/86/88/89/91/92

**3. RANGE/EQUIVALENCE TABLE (CONTINUED)**



**16A mobile socket**

		IP44			IP66/67	
						
	Name	P17 Tempra Pro IP44	P17 Tempra IP44	P17 Sherpa IP44	P17 Tempra Pro IP 66/67	P17 Tempra IP 66/67
100/130V	2P+E	5 551 01	0 575 01	0 575 11	5 553 01	0 562 00
	3P+E	5 551 02	0 575 02			
200/250V	2P+E	5 551 04	0 575 04	0 575 14	5 553 04	0 562 03
	3P+E	5 551 05	0 575 05		5 553 05	0 562 04
	4P+E	5 551 06	0 575 06		5 553 06	0 562 05
380/415V	2P+E	5 551 07	0 575 07			
	3P+E	5 551 08	0 575 08	0 575 18	5 553 08	0 562 07
	4P+E	5 551 09	0 575 09	0 575 19	5 553 09	0 562 08
440/460V	3P+E	5 551 10	6 574 07			
480/500V	3P+E	5 551 12	0 562 59		5 553 12	
	4P+E	5 551 13	0 562 60			



**16A panel mounting socket**

		IP44			IP66/67	
						
	Name	P17 Tempra Pro IP44	P17 Tempra IP44	P17 Sherpa IP44	P17 Tempra Pro IP 66/67	P17 Tempra IP 66/67
100/130V	2P+E	5 551 51	0 553 50	0 555 50	5 553 01	0 553 00
	3P+E	5 551 52	0 553 51			
200/250V	2P+E	5 551 54	0 553 53	0 555 53	5 553 54	0 553 03
	3P+E	5 551 55	0 553 54		5 553 55	0 553 04
	4P+E	5 551 56	0 553 55		5 553 56	0 553 05
380/415V	2P+E	5 551 57	0 553 56			
	3P+E	5 551 58	0 553 57	0 555 57	5 553 58	0 553 07
	4P+E	5 551 59	0 553 58	0 555 58	5 553 59	0 553 08
440/460V	3P+E	5 551 60	6 572 07			
480/500V	3P+E	5 551 62	0 553 59		5 553 62	
	4P+E	5 551 63	0 553 60			



**16A panel mounting socket**

		IP44			IP66/67	
						
	Name	P17 Tempra Pro IP44	P17 Tempra IP44	P17 Sherpa IP44	P17 Tempra Pro IP 66/67	P17 Tempra IP 66/67
100/130V	2P+E	5 551 81	0 576 10		5 553 81	0 576 50
	2P+E	5 551 84	0 576 11		5 553 84	0 576 51
200/250V	3P+E	5 551 85	0 576 15		5 553 85	0 576 55
	4P+E	5 551 86	0 576 21		5 553 86	0 576 61
	3P+E	5 551 88	0 576 17		5 553 88	0 576 57
380/415V	4P+E	5 551 89	0 576 23		5 553 89	0 576 63
	3P+E	5 551 90	6 571 07			
480/500V	3P+E	5 551 92	0 576 19		5 553 92	
	4P+E	5 551 93	0 576 25			



**32A straight plug**

		IP44			IP66/67	
						
	Name	P17 Tempra Pro IP44	P17 Tempra IP44	P17 Sherpa IP44	P17 Tempra Pro IP 66/67	P17 Tempra IP 66/67
100/130V	2P+E	5 552 31	0 581 21			0 563 20
	2P+E	5 552 34	0 581 24	0 581 34	5 554 34	0 563 23
200/250V	3P+E	5 552 35	0 581 25		5 554 35	0 563 24
	4P+E	5 552 36	0 581 26		5 554 36	0 563 25
380/415V	2P+E	5 552 37	0 581 27			
	3P+E	5 552 38	0 581 28	0 581 38	5 554 38	0 563 27
	4P+E	5 552 39	0 581 29	0 581 39	5 554 39	0 563 28
440/460V	3P+E	5 552 40	6 573 27			
440V	3P+E				5 554 41	6 571 26
480/500V	3P+E	5 552 42	0 563 79		5 554 42	
	4P+E	5 552 43	0 563 80		5 554 43	

**32A mobile socket**

		IP44			IP66/67	
						
	Name	P17 Tempra Pro IP44	P17 Tempra IP44	P17 Sherpa IP44	P17 Tempra Pro IP 66/67	P17 Tempra IP 66/67
100/130V	2P+E	5 552 11	0 582 01			
200/250V	2P+E	5 552 14	0 582 04	0 582 14	5 554 14	0 562 23
	3P+E	5 552 15	0 582 05		5 554 15	0 562 24
380/415V	4P+E	5 552 16	0 582 06		5 554 16	0 562 25
	2P+E	5 552 17	0 582 07			
	3P+E	5 552 18	0 582 08	0 582 18	5 554 18	0 562 27
440/460V	4P+E	5 552 19	0 582 09	0 582 19	5 554 19	0 562 28
	3P+E	5 552 20	6 574 27			
440V	3P+E				5 554 21	6 571 46
480/500V	3P+E	5 552 22	0 562 79		5 554 22	
	4P+E	5 552 23	0 562 80			

**32A panel mounting socket**



		IP44			IP66/67	
						
	Name	P17 Tempra Pro IP44	P17 Tempra IP44	P17 Sherpa IP44	P17 Tempra Pro IP 66/67	P17 Tempra IP 66/67
100/130V	2P+E	5 552 51	0 553 70		5 554 51	0 553 20
200/250V	2P+E	5 552 54	0 553 73	0 555 73	5 554 54	0 553 23
	3P+E	5 552 55	0 553 74		5 554 55	0 553 24
380/415V	4P+E	5 552 56	0 553 75		5 554 56	0 553 25
	2P+E	5 552 57	0 553 76			
	3P+E	5 552 58	0 553 77	0 555 77	5 554 58	0 553 27
440/460V	4P+E	5 552 59	0 553 78	0 555 78	5 554 59	0 553 28
	3P+E	5 552 60	6 572 27			
480/500V	3P+E	5 552 62	0 553 79		5 554 62	
	4P+E	5 552 63	0 553 80		5 554 63	

**Plugs, mobile sockets,  
panel mounting sockets,  
surface mounting sockets,  
P17 Tempra Pro IP44 and low voltage 66/67**

Catalogue number(s): 5 551 01/02/04/05/06/07/08/09/10/12/13/21/  
22/24/25/ 26/27/28/29/30/32/33/51/52/54/55/  
56/57/58/59/60/62/63/81/84/85/86/88/89/90/  
92/93 - 5 552 11/14/15/16/17/18/19/20/22/23/  
31/34/35/36/37/38/39/40/42/43/51/54/55/56/  
57/58/59/60/62/63/81/84/85/86/88/89/90/92/  
93 - 5 553 01/04/05/06/08/09/12/21/24/25/26/  
28/29/32/51/54/55/56/58/59/62/81/84/85/86/  
88/89/92 - 5 554 14/15/16/18/19/21/22/31/34/  
35/36/38/39/41/42/43/51/54/55/56/58/59/62/  
63/81/84/85/86/88/89/91/92

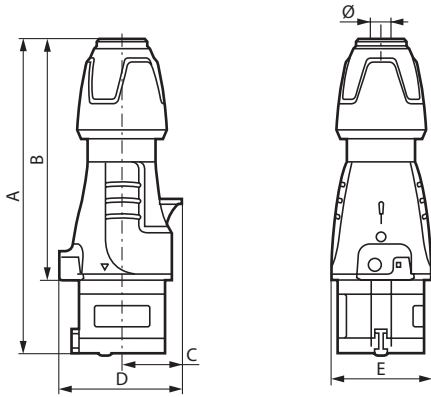
**3. RANGE/EQUIVALENCE TABLE (CONTINUED)**

**32A panel mounting socket**

		IP44			IP66/67	
						
	Name	P17 Tempra Pro IP44	P17 Tempra IP44	P17 Sherpa IP44	P17 Tempra Pro IP 66/67	P17 Tempra IP 66/67
100/130V	2P+E	5 552 81	0 576 08		5 554 81	0 576 48
200/250V	2P+E	5 552 84	0 576 12		5 554 84	0 576 52
	3P+E	5 552 85	0 576 16		5 554 85	0 576 56
	4P+E	5 552 86	0 576 22		5 554 86	0 576 62
380/415V	3P+E	5 552 88	0 576 18		5 554 88	0 576 58
	4P+E	5 552 89	0 576 24		5 554 89	0 576 64
440/460V	3P+E	5 552 90	6 571 27			
440V	3P+E				5 554 91	6 571 16
480/500V	3P+E	5 552 92	0 576 20		5 554 92	
	4P+E	5 552 93	0 576 26			

**4. DIMENSIONS**

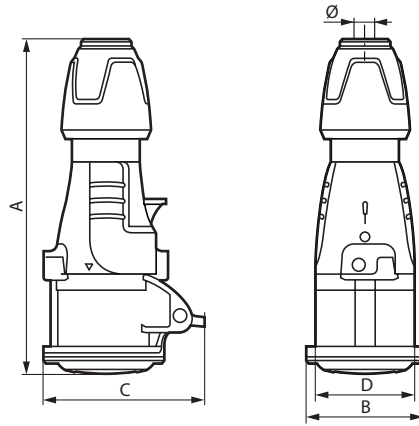
**Straight plugs 16/32A IP44**



	A	B	C	D	E	Ø
<b>LV 16 A</b>						
2P+E	146 to 157	109.5 to 120.5	30	61	50	6.5 to 14
3P+E	146 to 157	109.5 to 120.5	34	67	55	7.10 to 15.5
3P+N+E	163 to 176	126.5 to 139.5	38	76	65	8 to 20
<b>LV 32 A</b>						
2P+E	172 to 185	127 to 140	40	78	65	8 to 20
3P+E	172 to 185	127 to 140	40	78	65	8 to 20
3P+N+E	179 to 189	133 to 143	45	86	71	11.9 to 22.2

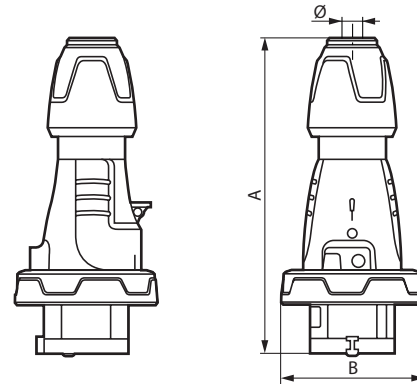
**4. DIMENSIONS (CONTINUED)**

**Straight plugs 16/32A IP44**



	A	B	C	D	Ø
<b>LV 16 A</b>					
2P+E	156 to 167	59	81	50	6.5 to 14
3P+E	157 to 168	65	88	55	7.10 to 15.5
3P+N+E	175 to 188	72	94	65	8 to 20
<b>LV 32 A</b>					
2P+E	184 to 197	73	99	65	8 to 20
3P+E	184 to 197	73.5	99	65	8 to 20
3P+N+E	190 to 203	79.5	105	71	11.9 to 22.2

**Straight plugs 16/32A IP66/67**



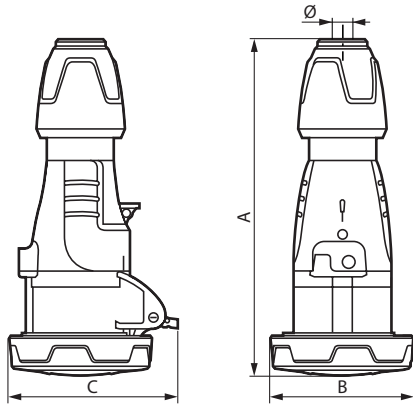
	A	B	Ø
<b>LV 16 A</b>			
2P+E	146 to 157	72.5	6.5 to 14
3P+E	146 to 157	80.5	7.10 to 15.5
3P+N+E	163 to 176	89	8 to 20
<b>LV 32 A</b>			
2P+E	172 to 185	93	8 to 20
3P+E	172 to 185	93	8 to 20
3P+N+E	179 to 189	100	11.9 to 22.2

**Plugs, mobile sockets,  
panel mounting sockets,  
surface mounting sockets,  
P17 Tempra Pro IP44 and low voltage 66/67**

Catalogue number(s): 5 551 01/02/04/05/06/07/08/09/10/12/13/21/  
22/24/25/ 26/27/28/29/30/32/33/51/52/54/55/  
56/57/58/59/60/62/63/81/84/85/86/88/89/90/  
92/93 - 5 552 11/14/15/16/17/18/19/20/22/23/  
31/34/35/36/37/38/39/40/42/43/51/54/55/56/  
57/58/59/60/62/63/81/84/85/86/88/89/90/92/  
93 - 5 553 01/04/05/06/08/09/12/21/24/25/26/  
28/29/32/51/54/55/56/58/59/62/81/84/85/86/  
88/89/92 - 5 554 14/15/16/18/19/21/22/31/34/  
35/36/38/39/41/42/43/51/54/55/56/58/59/62/  
63/81/84/85/86/88/89/91/92

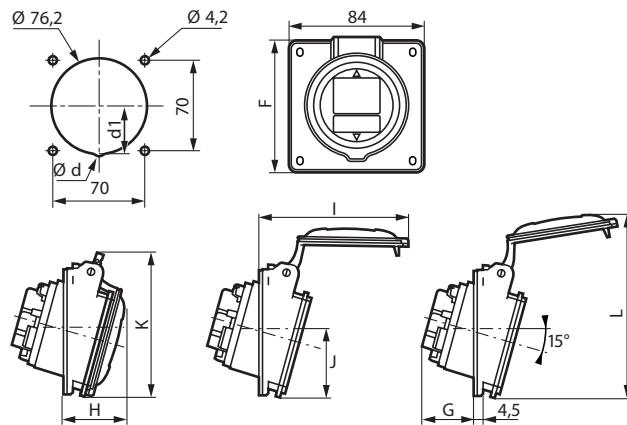
**4. DIMENSIONS (SUITE)**

**Mobile sockets 16/32A IP66/67**



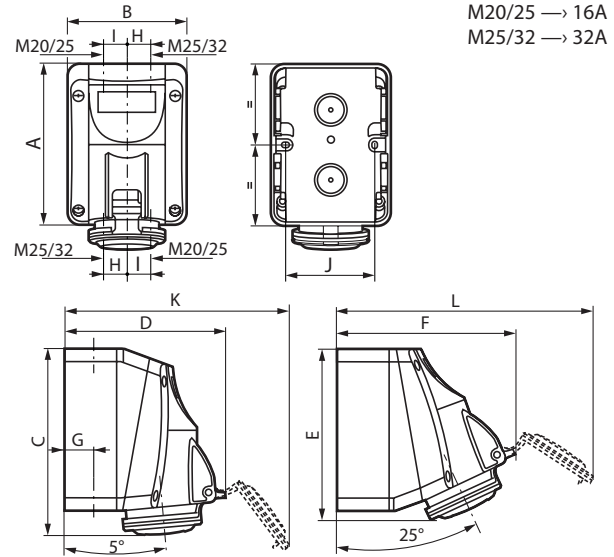
	A	B	C	Ø
<b>LV 16 A</b>				
2P+E	159 to 170	72.5	86	6.5 to 14
3P+E	159 to 170	80.5	93	7.10 to 15.5
3P+N+E	179 to 190	89	100	8 to 20
<b>LV 32 A</b>				
2P+E	187 to 200	93	104	8 to 20
3P+E	187 to 200	93	104	8 to 20
3P+N+E	192 to 205	100	110.5	11.9 to 22.2

**IP 44 panel mounting sockets with standard fixing centres**



	Ød	d1	F	G	H	I	J	K	L
<b>LV 16 A</b>									
2P+E	-	-	84	33.5	37.5	85	42	88.5	112.5
3P+E	-	-	84	35.5	38.5	93	42	91.5	118.5
3P+N+E	-	-	84	36.5	39.5	100	43.3	97	123.5
<b>LV 32 A</b>									
2P+E	-	-	94	41.5	45.5	110	47	102	131
3P+E	-	-	94	42.5	46.5	117	47	107.5	138
3P+N+E	8	36	94	42.5	46.5	117	47	107.5	138

**16/32A IP44 surface mounting sockets**



M20/25 → 16A  
M25/32 → 32A

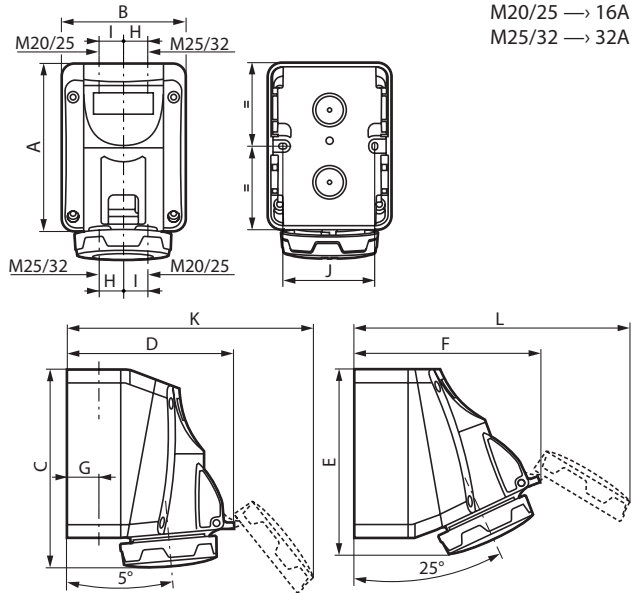
	A	B	C	D	E	F	G	H	I	J	K	L
<b>LV 16 A</b>												
2P+E	125	93	147	126	138	139	22	17	20	70	176	195
3P+E	125	93	147	134	138	147	22	17	20	70	190	210
3P+N+E	125	93	147	140	138	153	22	17	20	70	201	221
<b>LV 32 A</b>												
2P+E	150	113	174	156	163	172	28	22	26	90	220	245
3P+E	150	113	174	156	163	172	28	22	26	90	220	245
3P+N+E	150	113	174	162	163	177	28	22	26	90	230	256

**Plugs, mobile sockets,  
panel mounting sockets,  
surface mounting sockets,  
P17 Tempra Pro IP44 and low voltage 66/67**

Catalogue number(s): 5 551 01/02/04/05/06/07/08/09/10/12/13/21/  
22/24/25/ 26/27/28/29/30/32/33/51/52/54/55/  
56/57/58/59/60/62/63/81/84/85/86/88/89/90/  
92/93 - 5 552 11/14/15/16/17/18/19/20/22/23/  
31/34/35/36/37/38/39/40/42/43/51/54/55/56/  
57/58/59/60/62/63/81/84/85/86/88/89/90/92/  
93 - 5 553 01/04/05/06/08/09/12/21/24/25/26/  
28/29/32/51/54/55/56/58/59/62/81/84/85/86/  
88/89/92 - 5 554 14/15/16/18/19/21/22/31/34/  
35/36/38/39/41/42/43/51/54/55/56/58/59/62/  
63/81/84/85/86/88/89/91/92

**4. DIMENSIONS (SUITE)**

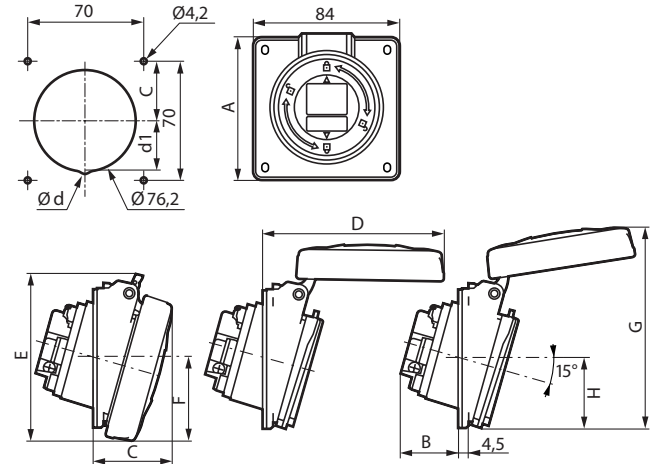
**IP66/67 surface mounting sockets**



M20/25 → 16A  
M25/32 → 32A

	A	B	C	D	E	F	G	H	I	J	K	L
<b>LV 16 A</b>												
2P+E	125	93	144	125	131	137	22	17	20	70	178	200
3P+E	125	93	144	133	131	145	22	17	20	70	194	215
3P+N+E	125	93	144	139	131	150	22	17	20	70	205	227
<b>LV 32 A</b>												
2P+E	150	113	171	155	156	170	28	22	26	90	224	250
3P+E	150	113	171	161	156	175	28	22	26	90	231	260

**IP66/67 panel mounting sockets**



	Ød	d1	A	B	C	D	E	F	G	H
<b>LV 16 A</b>										
2P+E	-	-	84	33.5	42	94	88	42.5	114	42
3P+E	-	-	84	35.5	43	101	94.5	46	118	42
3P+N+E	-	-	84	36.5	44	108.5	101	50	123	42.5
<b>LV 32 A</b>										
2P+E	-	-	94	41.5	50.5	118	105.5	54.5	129.5	47.5
3P+E	8	36	94	42.5	51.5	124.5	112	57.5	137	51

**Plugs, mobile sockets,  
panel mounting sockets,  
surface mounting sockets,  
P17 Tempra Pro IP44 and low voltage 66/67**

Catalogue number(s): 5 551 01/02/04/05/06/07/08/09/10/12/13/21/  
22/24/25/ 26/27/28/29/30/32/33/51/52/54/55/  
56/57/58/59/60/62/63/81/84/85/86/88/89/90/  
92/93 - 5 552 11/14/15/16/17/18/19/20/22/23/  
31/34/35/36/37/38/39/40/42/43/51/54/55/56/  
57/58/59/60/62/63/81/84/85/86/88/89/90/92/  
93 - 5 553 01/04/05/06/08/09/12/21/24/25/26/  
28/29/32/51/54/55/56/58/59/62/81/84/85/86/  
88/89/92 - 5 554 14/15/16/18/19/21/22/31/34/  
35/36/38/39/41/42/43/51/54/55/56/58/59/62/  
63/81/84/85/86/88/89/91/92

**5. TECHNICAL CHARACTERISTICS**

**5.1 Incandescent wire resistance**

- 850°C for live part supports
- 650°C for other components

**5.2 Isolation voltage**

- 750V
- Dielectric strength
- 3000V 50Hz

**5.3 Minimum Usage temperature (connection and disconnection)**

- 40°C / maximum + 55°C

**5.4 Minimum Installation temperature (wiring and/or fitting)**

- 5°C / maximum + 40°C

**5.5 Degree of protection**

- No penetration by water or dust in the IP66/67 products after ageing for 7 days at 80°C.

**5.6 Materials**

**Chemical agents** **Material resistance**

**Aqueous solutions**

Cold water	++
Hot water	-
Steam	--
5 % saline solution	+
Hydrogen peroxide	-
Water + washing powder	+
Water + surfactants	+
Formaldehyde	++

**Alcohols**

Ethanol	++
Methanol	-
Propanol	+
Butanol	+

**Glycols**

Ethylene glycol	-
Phenols	--
Cresols	-

**Alkalis**

Ammonia	+
Sodium hydroxide (caustic soda)	--
Sodium hypochlorite (12° bleach)	-
Potassium hydroxide (potash)	+

**Strong oxidizing acids**

Concentrated acetic acid	--
5% nitric acid	-
10 % sulphuric acid	-
30% hydrochloric acid	-
70% perchloric acid	-
70% hydrofluoric acid	--
50% chromic acid	--
30% phosphoric acid	-

**Weak acids**

Acetic acid diluted < 25%	-
Citric acid	+
Lactic acid	-
Formic acid	--
Uric acid	++

**5.6 Material Characteristics (continued)**

**Chemical agents** **Material resistance**

**Animal oils and fats**

Lard	++
Butter, cream	++

**Vegetable oils and fats**

Linseed oil	++
Groundnut/Olive oil	++
Castor oil	++
Glycerine	++

**Mineral oils and fats**

Paraffin wax (Vaseline)	++
Automotive engine oils	+
Silicone oils	+
Cutting oils	++
Hydraulic oils	++

**Hydrocarbons**

Lead-free petrol	++
Diesel	++
Kerosene	++
White spirit	+

**Chlorinated solvents**

Trichloroethylene	-
Trichloroethane	--
Perchloroethylene	-
Methylene chloride	--
Carbon tetrachloride	-
Chloroform	-

**Aromatic solvents**

Benzene	+
Toluene	+
Xylene	+

**Aliphatic solvents**

Hexane	+
--------	---

**Fluorinated solvents**

Trichlorofluoro methane	--
-------------------------	----

**Ketones**

Acetone	+
Methyl ethyl ketone	+
Ethyl acetate	+

**Terpenes**

Turpentine	-
------------	---

**Resistance to chemical agents at ambient temperature related to a risk of exposure by spraying**

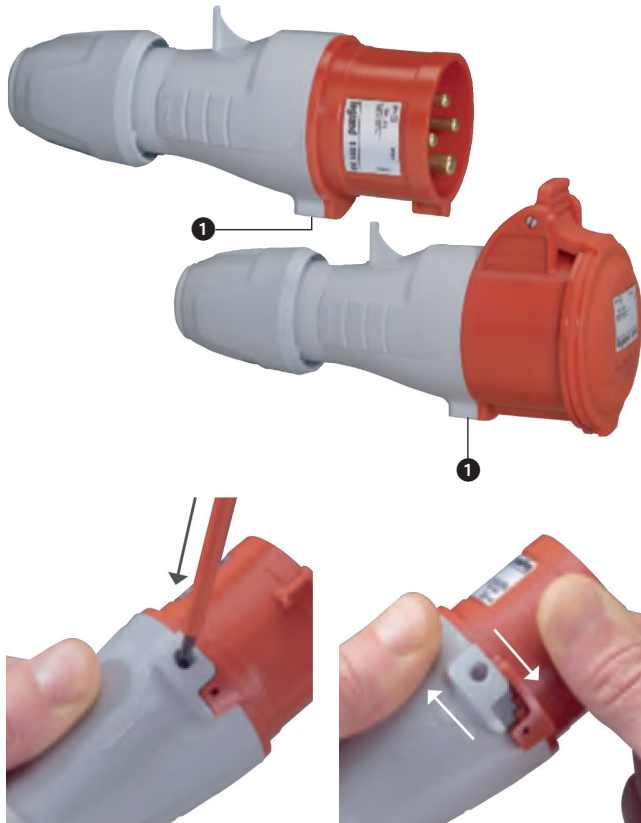
- ++ excellent resistance (continuous exposure)
- + good resistance (lasting exposure)
- limited resistance (brief exposure possible)
- poor resistance (exposure to be avoided)

**Plugs, mobile sockets,  
panel mounting sockets,  
surface mounting sockets,  
P17 Tempra Pro IP44 and low voltage 66/67**

Catalogue number(s): 5 551 01/02/04/05/06/07/08/09/10/12/13/21/  
22/24/25/ 26/27/28/29/30/32/33/51/52/54/55/  
56/57/58/59/60/62/63/81/84/85/86/88/89/90/  
92/93 - 5 552 11/14/15/16/17/18/19/20/22/23/  
31/34/35/36/37/38/39/40/42/43/51/54/55/56/  
57/58/59/60/62/63/81/84/85/86/88/89/90/92/  
93 - 5 553 01/04/05/06/08/09/12/21/24/25/26/  
28/29/32/51/54/55/56/58/59/62/81/84/85/86/  
88/89/92 - 5 554 14/15/16/18/19/21/22/31/34/  
35/36/38/39/41/42/43/51/54/55/56/58/59/62/  
63/81/84/85/86/88/89/91/92

**6. INSTALLATION**

**6.1 Plugs and sockets**



**1 - QUICK OPENING/CLOSING SYSTEM**

Unlocked by pressing with a screwdriver. Marking indicates the location for the locking clip.

Opened by turning the 2 parts in opposite directions



**2 - CABLE STRIPPING**

Marking allows the user to quickly see the length of cable to be stripped. Option of using cables with glands.



**3 - EASY HANDLING**

Gripping areas on the body of the mobile products and the cable grip.

**6.2 Surface mounting sockets**



**1 - 2 MOUNTING POSITIONS**

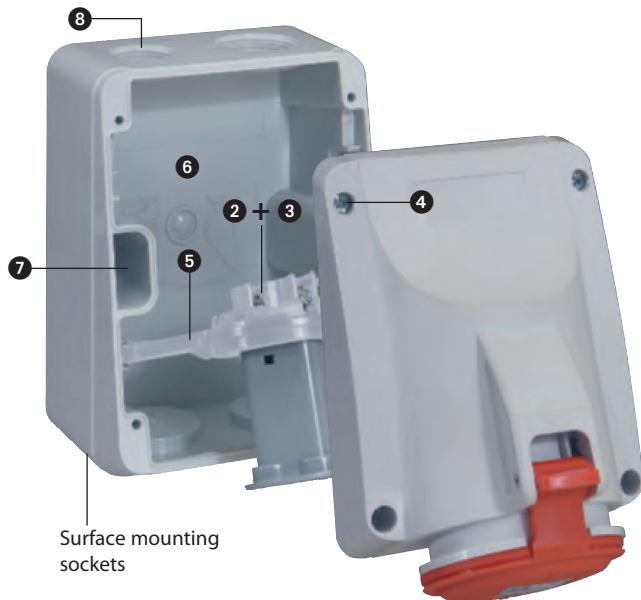
To solve the problem of limited space, the surface mounting sockets offer 2 different mounting positions (5° or 25°) which allow users to adapt to the space available without changing the box.



**Plugs, mobile sockets,  
panel mounting sockets,  
surface mounting sockets,  
P17 Tempra Pro IP44 and low voltage 66/67**

Catalogue number(s): 5 551 01/02/04/05/06/07/08/09/10/12/13/21/  
22/24/25/ 26/27/28/29/30/32/33/51/52/54/55/  
56/57/58/59/60/62/63/81/84/85/86/88/89/90/  
92/93 - 5 552 11/14/15/16/17/18/19/20/22/23/  
31/34/35/36/37/38/39/40/42/43/51/54/55/56/  
57/58/59/60/62/63/81/84/85/86/88/89/90/92/  
93 - 5 553 01/04/05/06/08/09/12/21/24/25/26/  
28/29/32/51/54/55/56/58/59/62/81/84/85/86/  
88/89/92 - 5 554 14/15/16/18/19/21/22/31/34/  
35/36/38/39/41/42/43/51/54/55/56/58/59/62/  
63/81/84/85/86/88/89/91/92

**6. INSTALLATION (CONTINUED)**

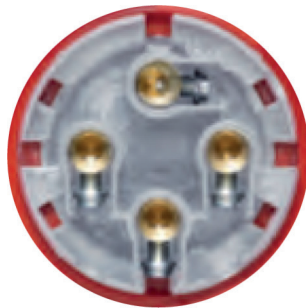


Surface mounting sockets



**2 - CABLE STRIPPING**

Marking allows the user to quickly see the length of the cable to be stripped.  
Option of using cables with glands.



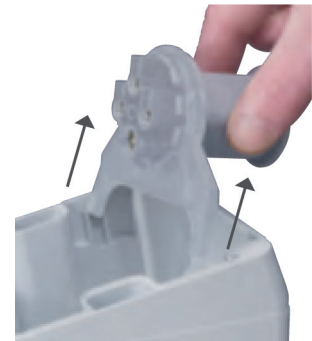
**3 - JUST ONE SCREW PER TERMINAL**

A single captive mixed head PZ 2 screw, via connection terminal. Same type of screw for both ratings, 16 and 32A.



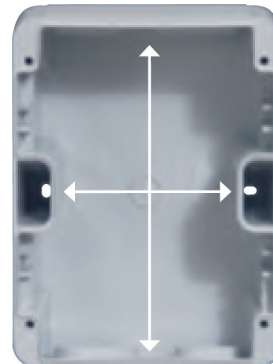
**4 - QUICK COVER FIXING**

Stainless steel captive screws with mixed head for PZ2 or flat screwdriver, tightening torque between 1.6 Nm and 1.8 Nm for a good seal and corrosion resistance.



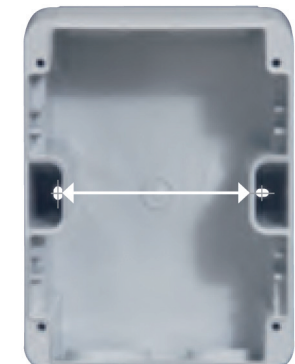
**5 - EASY REMOVAL**

The active parts of the product can be removed from the base for easier wiring and changing the socket angle.



**6 - EASY WIRING**

Optimum wiring area for easier connections.



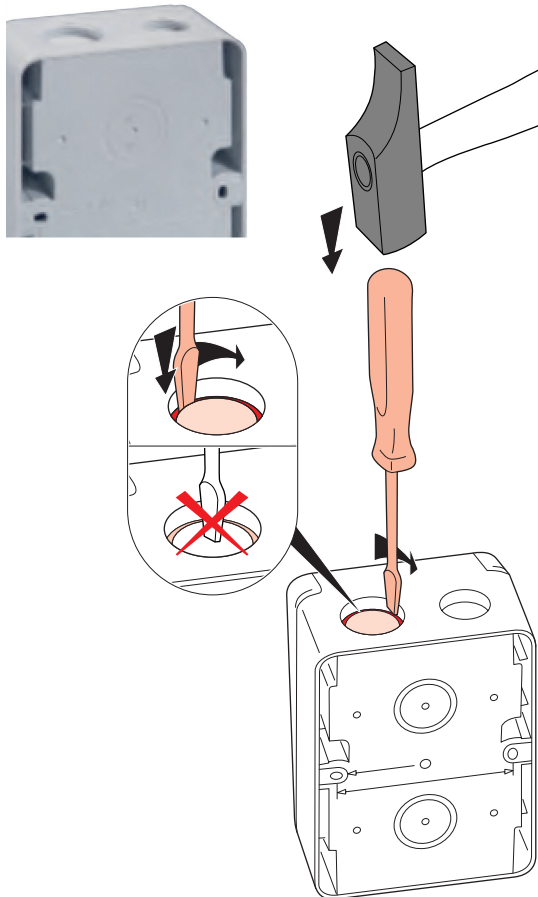
**7 - EASY MAINTENANCE**

Fixing centres that are identical to the old range (70 mm) for the 16A rating and marking in the base of the box for the 32A rating.

**Plugs, mobile sockets,  
panel mounting sockets,  
surface mounting sockets,  
P17 Tempra Pro IP44 and low voltage 66/67**

Catalogue number(s): 5 551 01/02/04/05/06/07/08/09/10/12/13/21/  
22/24/25/ 26/27/28/29/30/32/33/51/52/54/55/  
56/57/58/59/60/62/63/81/84/85/86/88/89/90/  
92/93 - 5 552 11/14/15/16/17/18/19/20/22/23/  
31/34/35/36/37/38/39/40/42/43/51/54/55/56/  
57/58/59/60/62/63/81/84/85/86/88/89/90/92/  
93 - 5 553 01/04/05/06/08/09/12/21/24/25/26/  
28/29/32/51/54/55/56/58/59/62/81/84/85/86/  
88/89/92 - 5 554 14/15/16/18/19/21/22/31/34/  
35/36/38/39/41/42/43/51/54/55/56/58/59/62/  
63/81/84/85/86/88/89/91/92

**6. INSTALLATION (CONTINUED)**



**8 - CABLE ENTRY POINTS**

4 threaded and sealed cable entries at the top and the bottom and marking at the back of the box for ISO cable glands or trunking.



**9 - OPENING LEVER**

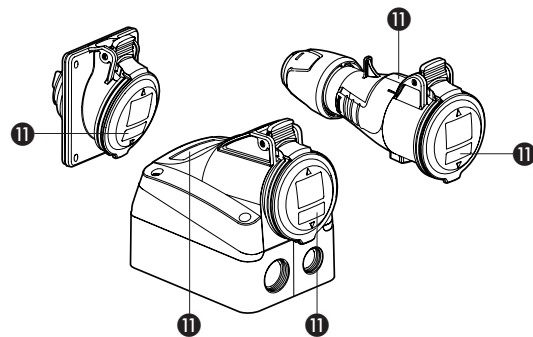
For easier connections/disconnections. Cover held open on panel sockets and surface mounting sockets.

**6. INSTALLATION (CONTINUED)**



**10 - POSITION MARKS**

Information engraved on the ring cover of IP66/67 products means the user can quickly check whether it is in the open or closed position. Marking area on the socket flap cover or on the plug skirt for easy identification by the user.



**11 - Marking/identification area**

**7. CONNECTION**

**7.1 Connection capacity**

Connection cross-section for pilot wire

Type	Intensity	Size of conductors (mm ≤)	Size of conductors
Surface mounting socket and panel mounting socket	16A	1.5 to 4	Rigid
	16A	1 to 2.5	Rigid
Mobile plugs and sockets	32A	2.5 to 6	Flexible
	32A	2.5 to 10	Flexible

**7.2 Tightening torque of connection terminal screws**

- 16A LV: 0.8 to 1.2 Nm
- 32A LV: 1.2 to 1.5 Nm

**Plugs, mobile sockets,  
panel mounting sockets,  
surface mounting sockets,  
P17 Tempra Pro IP44 and low voltage 66/67**

Catalogue number(s): 5 551 01/02/04/05/06/07/08/09/10/12/13/21/  
22/24/25/ 26/27/28/29/30/32/33/51/52/54/55/  
56/57/58/59/60/62/63/81/84/85/86/88/89/90/  
92/93 - 5 552 11/14/15/16/17/18/19/20/22/23/  
31/34/35/36/37/38/39/40/42/43/51/54/55/56/  
57/58/59/60/62/63/81/84/85/86/88/89/90/92/  
93 - 5 553 01/04/05/06/08/09/12/21/24/25/26/  
28/29/32/51/54/55/56/58/59/62/81/84/85/86/  
88/89/92 - 5 554 14/15/16/18/19/21/22/31/34/  
35/36/38/39/41/42/43/51/54/55/56/58/59/62/  
63/81/84/85/86/88/89/91/92

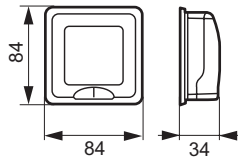
**8. STANDARDS & REGULATIONS**

- IEC 60309-1 and EN 60309-1 (design rules)
- IEC 60309-2 and EN 60309-2 (interchangeability requirements)
- IEC 60529 and NF EN 60529 (IP)
- IEC 62262 and NF EN 62262 (IK)
- Decree of 14/11/88 (safety of workers)
- Directive 2002/95/CE (ROHS)

**9. ACCESSORIES**

**IP 55 adaptor base** for Mosaic 2-module mechanisms (except special surface mounting type).

Cat. No.: 0 539 48



**IEC pin / domestic pin (NFC) adaptor**

Example of an adaptor



Allows a 16A 2P+E 250V NFC plug to be connected to a 16A 2P+E 200/250V socket outlet with IEC pin configuration

- 0 521 00: NFC pin
- 0 521 01: British standard pin
- 0 521 02: German standard pin
- 0 521 03: NFC pin (with flap cover)
- 0 521 05: empty for MOSAIC 2-module mechanisms

**Flush-mounting boxes for masonry IP55**

Allows the socket outlet(s) to be installed to standard fixing centres (70 x 70), or to domestic sockets 0 576 71/72.

0 577 21 for 2 16A sockets



0 577 22 for 1 16 or 32A socket



32A socket to be installed horizontally (see user manual)