









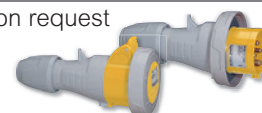
P 17 Tempra Pro IP 66/67 - LV 16, 32, 63 and 125 A

selection chart

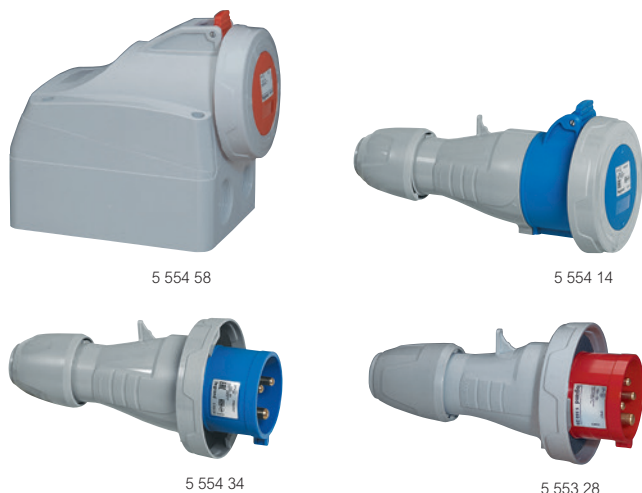
| Conform to IEC 60309-1 and IEC 60309-2 IP 44 according to IEC 60529 IK 09 according to IEC 62262 Material: polyamide 6 Self-extinguishing: 850 °C (support of active parts) / 650 °C (plastic housing) | | | FUNCTIONS | | | | | | |
|---|--|--------|---|---|---|---|--|---|---|
| | | | SURFACE MOUNTING SOCKETS | PANEL MOUNTING SOCKETS | INTERLOCKED SWITCHED SOCKETS WITH SMALL FLANGE | MOBILE SOCKETS | STRAIGHT PLUGS | ANGLED PLUGS | APPLIANCE INLETS |
| LV | | |  |  |  |  |  |  |  |
| | | | Female connector | Female connector | Female connector | Female connector | Male connector | Male connector | Male connector |
| 200 to 250 V _~ 50/60 Hz | 16 A | 2P+E | 5 553 54 | 5 553 84 | 0 573 20 ⁽¹⁾⁽²⁾ | 5 553 04 | 5 553 24 | 0 565 03 | 0 568 03 |
| | | 3P+E | 5 553 55 | 5 553 85 | | 5 553 05 | 5 553 25 | | 0 568 04 |
| | | 3P+N+E | 5 553 56 | 5 553 86 | | 5 553 06 | 5 553 26 | | |
| | 32 A | 2P+E | 5 554 54 | 5 554 84 | | 5 554 14 | 5 554 34 | 0 565 23 | 0 568 23 |
| | | 3P+E | 5 554 55 | 5 554 85 | | 5 554 15 | 5 554 35 | | |
| | | 3P+N+E | 5 554 56 | 5 554 86 | | 5 554 16 | 5 554 36 | | |
| | 63 A | 2P+E | 5 555 54 | 5 555 84 | | 5 555 04 | 5 555 24 | | 5 555 14 |
| | | 3P+E | 5 555 55 | 5 555 85 | | 5 555 05 | 5 555 25 | | |
| | | 3P+N+E | 5 555 56 | 5 555 86 | | 5 555 06 | 5 555 26 | | |
| 380 to 415 V _~ 50/60 Hz | 16 A | 3P+E | 5 553 58 | 5 553 88 | 0 573 21 ⁽¹⁾⁽²⁾ | 5 553 08 | 5 553 28 | | 0 568 07 |
| | | 3P+N+E | 5 553 59 | 5 553 89 | 0 573 22 ⁽¹⁾⁽²⁾ | 5 553 09 | 5 553 29 | | 0 568 08 |
| | 32 A | 3P+E | 5 554 58 | 5 554 88 | | 5 554 18 | 5 554 38 | | 0 568 27 |
| | | 3P+N+E | 5 554 59 | 5 554 89 | | 5 554 19 | 5 554 39 | 0 565 28 | 0 568 28 |
| | 63 A | 3P+E | 5 555 58 | 5 555 88 | | 5 555 08 | 5 555 28 | | 5 555 18 |
| | | 3P+N+E | 5 555 59 | 5 555 89 | | 5 555 09 | 5 555 29 | | 5 555 19 |
| | 125 A | 3P+E | 5 556 58 | 5 556 88 | | 5 556 08 | 5 556 28 | | 5 556 18 |
| | | 3P+N+E | 5 556 59 | 5 556 89 | | 5 556 09 | 5 556 29 | | 5 556 19 |
| | 440 V _~ 50/60 Hz for refrigerated containers | 32 A | 3P+E | | 5 554 91 | | 5 554 21 | 5 554 41 | |

1: IP 55 - 2: Can be fitted only on faceplate Cat.No 0 577 23 (p. 346)

 Other voltages available on request
Please, consult us



P 17 Tempra Pro IP 66/67 LV 16 and 32 A



Technical characteristics [see e-catalogue](#)

| Pack | Cat.Nos | | Surface mounting sockets |
|------|----------|----------|---------------------------------|
| | 16 A | 32 A | Two possible angles (5° or 25°) |
| 5 | 5 553 54 | 5 554 54 | 200/250 V~ 2P+E |
| 5 | 5 553 55 | 5 554 55 | 3P+E |
| 5 | 5 553 56 | 5 554 56 | 3P+N+E |
| 5 | 5 553 58 | 5 554 58 | 380/415 V~ 3P+E |
| 5 | 5 553 59 | 5 554 59 | 3P+N+E |

| Pack | Cat.Nos | | Panel mounting sockets |
|------|----------|----------|---|
| | 16 A | 32 A | Can be fixed on the faceplates (p. 346) |
| 5 | 5 553 84 | 5 554 84 | 200/250 V~ 2P+E |
| 5 | 5 553 85 | 5 554 85 | 3P+E |
| 5 | 5 553 86 | 5 554 86 | 3P+N+E |
| 5 | 5 553 88 | 5 554 88 | 380/415 V~ 3P+E |
| 5 | 5 553 89 | 5 554 89 | 3P+N+E |

| Pack | Cat.Nos | | Mobile sockets |
|------|----------|----------|---------------------------|
| | 16 A | 32 A | Supplied unlocked |
| 5 | 5 553 04 | 5 554 14 | 200/250 V~ 2P+E |
| 5 | 5 553 05 | 5 554 15 | 3P+E |
| 5 | 5 553 06 | 5 554 16 | 3P+N+E |
| 5 | 5 553 08 | 5 554 18 | 380/415 V~ 3P+E |
| 5 | 5 553 09 | 5 554 19 | 3P+N+E |

| Pack | Cat.Nos | | Straight plugs |
|------|----------|----------|---------------------------|
| | 16 A | 32 A | Supplied unlocked |
| 5 | 5 553 24 | 5 554 34 | 200/250 V~ 2P+E |
| 5 | 5 553 25 | 5 554 35 | 3P+E |
| 5 | 5 553 26 | 5 554 36 | 3P+N+E |
| 5 | 5 553 28 | 5 554 38 | 380/415 V~ 3P+E |
| 5 | 5 553 29 | 5 554 39 | 3P+N+E |

| Pack | Cat.Nos | | Appliance inlets |
|------|----------|----------|---------------------------|
| | 16 A | 32 A | 200/250 V~ |
| 5 | 0 568 03 | 0 568 23 | 2P+E |
| 5 | 0 568 04 | - | 3P+E |
| 5 | 0 568 07 | 0 568 27 | 380/415 V~ 3P+E |
| 5 | 0 568 08 | 0 568 28 | 3P+N+E |

P 17 Tempra Pro IP 66/67 LV 32 A for refrigerated containers



| Pack | Cat.Nos | Combined unit, plug and mobile socket for refrigerated containers |
|------|----------|---|
| 1 | 6 571 06 | 32 A - 440 V~ - 50/60 Hz - 3P+E - 3 hours IK 09 Plastic body and cover - Stainless steel screws Combined unit with interlocked switched socket - Double mechanical interlock - Cable glands are not supplied |
| 5 | 5 554 91 | Panel mounting socket |
| 5 | 5 554 21 | Mobile socket With cable grip Ø12 to 21.5 mm |
| 5 | 5 554 41 | Straight plug With cable grip Ø12 to 21.5 mm |

P 17 Tempra Pro IP 44 - LV 16 and 32 A

Characteristics

Terminal connection:

- Panel and surface mounting sockets

- 16 A: max. 1 x 4 mm² rigid

- 32 A: max. 1 x 10 mm² rigid

- Appliance inlets:

- 16 A: max. 1 x 2.5 mm² rigid

- 32 A: max. 1 x 6 mm² rigid

- Plugs and mobile sockets:

- 16 A: max. 1 x 2.5 mm² flexible

- 32 A: max. 1 x 6 mm² flexible

IP 44 according to IEC and EN 60529

IK 08 according to EN 50102 for interlocked switched sockets with small flange

IK 09 according to IEC 62262 and EN 62262

Material: polyamide 6

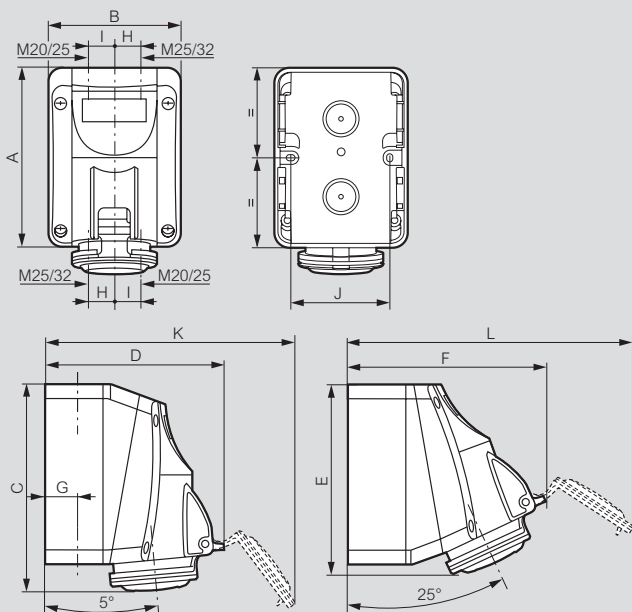
Self-extinguishing: 850 °C (support of active parts) / 650 °C (plastic housing)

- 25 °C to + 40 °C according to IEC 60309-1

Dimensions

Surface mounting sockets

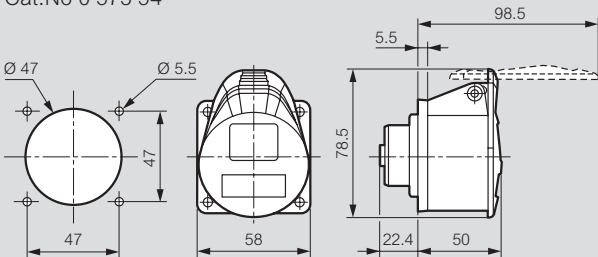
Cat.Nos 5 551 54/55/56/57/58/59 and 5 552 54/55/56/57/58/59



| | A | B | C | D | E | F | G | H | I | J | K | L |
|----------------|-----|-----|-----|-----|-----|-----|----|----|----|----|-----|-----|
| LV 16 A | | | | | | | | | | | | |
| 2P+E | 125 | 93 | 147 | 126 | 138 | 139 | 22 | 17 | 20 | 70 | 176 | 195 |
| 3P+E | 125 | 93 | 147 | 134 | 138 | 147 | 22 | 17 | 20 | 70 | 190 | 210 |
| 3P+N+E | 125 | 93 | 147 | 140 | 138 | 153 | 22 | 17 | 20 | 70 | 201 | 221 |
| LV 32 A | | | | | | | | | | | | |
| 2P+E | 150 | 113 | 174 | 156 | 163 | 172 | 28 | 22 | 26 | 90 | 220 | 245 |
| 3P+E | 150 | 113 | 174 | 156 | 163 | 172 | 28 | 22 | 26 | 90 | 220 | 245 |
| 3P+N+E | 150 | 113 | 174 | 162 | 163 | 177 | 28 | 22 | 26 | 90 | 230 | 256 |

Panel mounting socket straight outlet small flange

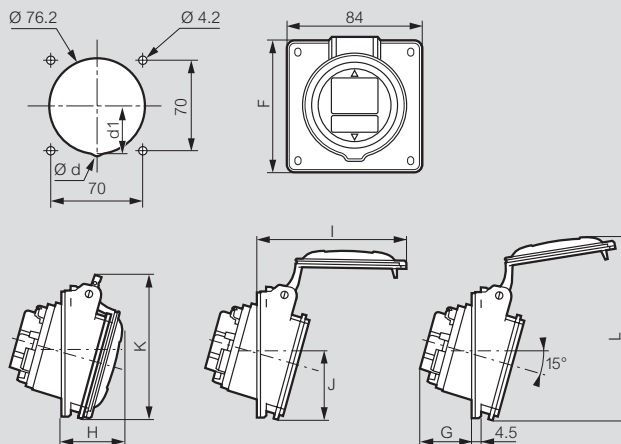
Cat.No 0 573 54



Weight (kg) = 0.105

Panel mounting sockets inclined outlet

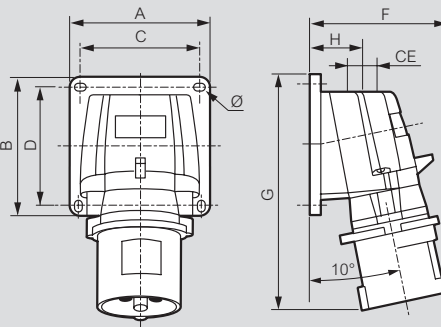
Cat.Nos 0 551 84/85/86/88/89 and 5 552 84/85/86/88/89



| | Ød | d1 | F | G | H | I | J | K | L |
|----------------|----|----|----|------|------|-----|------|-------|-------|
| LV 16 A | | | | | | | | | |
| 2P+E | - | - | 84 | 33.5 | 37.5 | 85 | 42 | 88.5 | 112.5 |
| 3P+E | - | - | 84 | 35.5 | 38.5 | 93 | 42 | 91.5 | 118.5 |
| 3P+N+E | - | - | 84 | 36.5 | 39.5 | 100 | 43.3 | 97 | 123.5 |
| LV 32 A | | | | | | | | | |
| 2P+E | - | - | 94 | 41.5 | 45.5 | 110 | 47 | 102 | 131 |
| 3P+E | - | - | 94 | 42.5 | 46.5 | 117 | 47 | 107.5 | 138 |

Appliance inlets

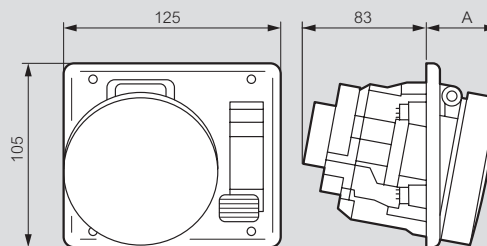
Cat.Nos 0 575 84/88/89 and 0 582 84/88/89



| | Weight (kg) | A | B | C | D | F | G | H | CE | Ø |
|----------------|-------------|-----|-----|----|----|-----|-----|----|-----|-----|
| LV 16 A | | | | | | | | | | |
| 2P+E | 0.168 | 84 | 84 | 72 | 72 | 77 | 126 | 34 | M20 | 4.3 |
| 3P+E | 0.232 | 84 | 84 | 72 | 72 | 84 | 134 | 34 | M20 | 4.3 |
| 3P+N+E | 0.256 | 84 | 84 | 72 | 72 | 91 | 141 | 34 | M20 | 4.3 |
| LV 32 A | | | | | | | | | | |
| 2P+E | 0.325 | 110 | 110 | 98 | 98 | 96 | 168 | 39 | M25 | 5.3 |
| 3P+E | 0.364 | 110 | 110 | 98 | 98 | 102 | 168 | 39 | M25 | 5.3 |

Interlocked switched sockets with small flange

Cat.Nos 0 573 00/01/02 and 0 573 20/21/22



| | 16 A | IP | A | IP | A |
|--------|------|----|----|----|---|
| 2P+E | 44 | 38 | 55 | 45 | |
| 3P+E | 44 | 38 | 55 | 45 | |
| 3P+N+E | 44 | 38 | 55 | 45 | |

P 17 Tempra Pro IP 44 - LV 16 and 32 A

mobile products

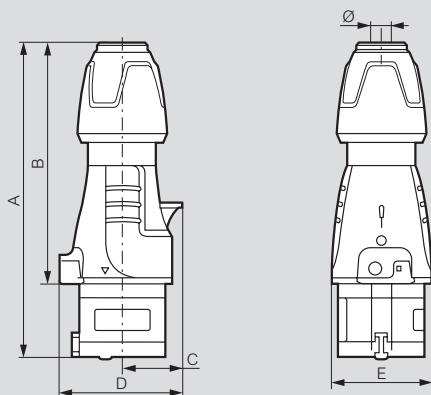
P 17 Tempra domestic pin configuration

16 A - 250 V

Dimensions

Straight plugs

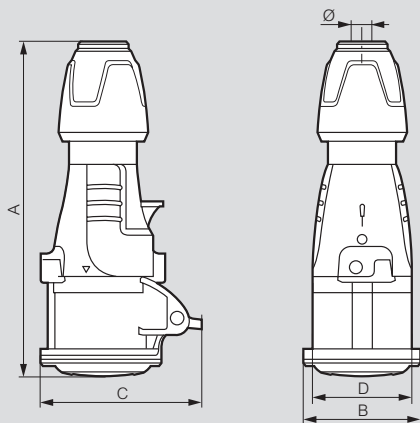
Cat.Nos 5 551 24/25/26/27/28/29 and 5 552 34/35/36/37/38/39



| | A | B | C | D | E | Ø |
|----------------|------------|----------------|----|----|----|--------------|
| LV 16 A | | | | | | |
| 2P+E | 146 to 157 | 109.5 to 120.5 | 30 | 61 | 50 | 6.5 to 14 |
| 3P+E | 146 to 157 | 109.5 to 120.5 | 34 | 67 | 55 | 7.10 to 15.5 |
| 3P+N+E | 163 to 176 | 126.5 to 139.5 | 38 | 76 | 65 | 8 to 20 |
| LV 32 A | | | | | | |
| 2P+E | 172 to 185 | 127 to 140 | 40 | 78 | 65 | 8 to 20 |
| 3P+E | 172 to 185 | 127 to 140 | 40 | 78 | 65 | 8 to 20 |
| 3P+N+E | 179 to 189 | 133 to 143 | 45 | 86 | 71 | 11.9 to 22.2 |

Mobile sockets

Cat.Nos 5 551 04/05/06/07/08/09 and 5 552 34/35/36/37/38/39

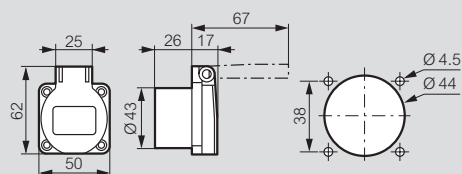


| | A | B | C | D | Ø |
|----------------|------------|------|-----|----|--------------|
| LV 16 A | | | | | |
| 2P+E | 156 to 167 | 59 | 81 | 50 | 6.5 to 14 |
| 3P+E | 157 to 168 | 65 | 88 | 55 | 7.10 to 15.5 |
| 3P+N+E | 175 to 188 | 72 | 94 | 65 | 8 to 20 |
| LV 32 A | | | | | |
| 2P+E | 184 to 197 | 73 | 99 | 65 | 8 to 20 |
| 3P+E | 184 to 197 | 73.5 | 99 | 65 | 8 to 20 |
| 3P+N+E | 190 to 203 | 79.5 | 105 | 71 | 11.9 to 22.2 |

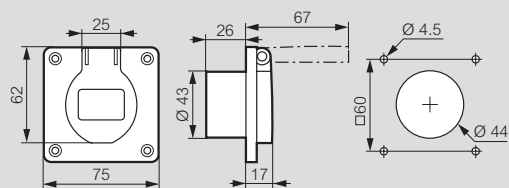
Dimensions

Domestic pin configuration sockets

Cat.Nos 0 576 69/75

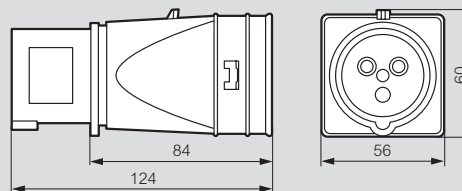


Cat.Nos 0 576 72/76



Adaptor 16 A - 230 V

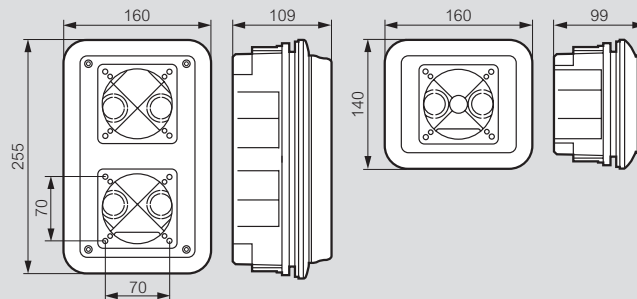
Cat.No 0 521 05



Flush mounting boxes

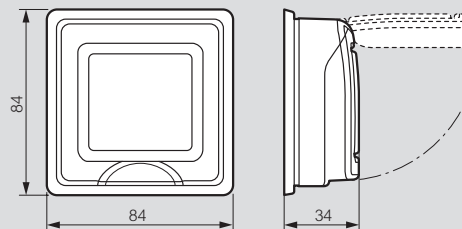
Cat.No 0 577 21

Cat.No 0 577 22



Panel mounting adaptor

Cat.No 0 539 48



P 17 Tempra IP 44 - ELV 16 and 32 A

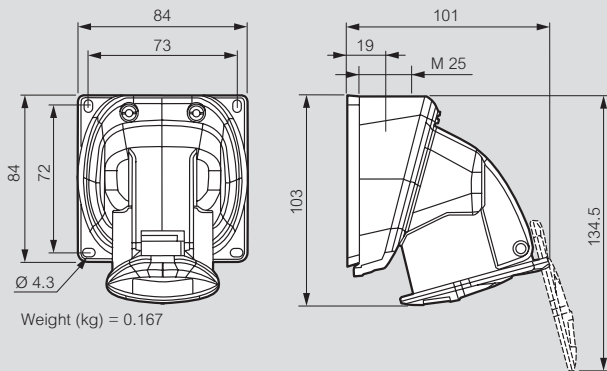
Characteristics

Terminal connection:
 Max. 1 x 10 mm² (rigid for fixed products flexible for mobile products)
 IP 44 according to IEC 60529 and EN 60529
 IK 09 according to IEC 62262 and EN 62262
 Material: plastic
 Self-extinguishing: 850 °C (support of active parts) / 650 °C (plastic housing)
 Temp. rating: - 25 °C to + 40 °C
 Conform to IEC 60309-1 / IEC 60309-2 and EN 60309-1 / EN 60309-2

Dimensions

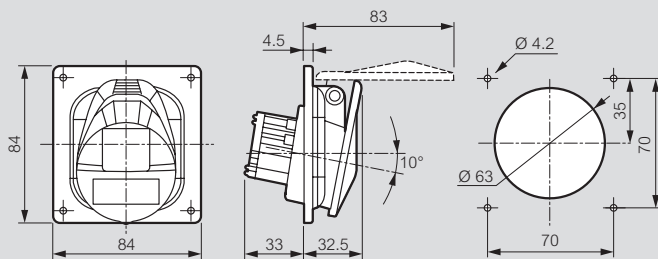
Surface mounting sockets

Cat.Nos 0 552 06/56



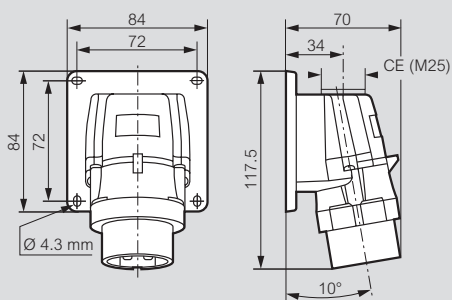
Panel mounting sockets

Cat.Nos 0 552 45/95



Appliance inlets

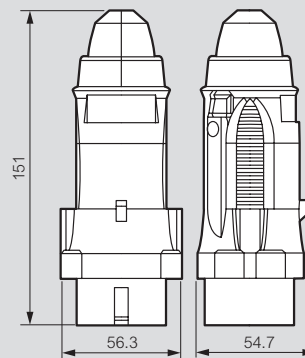
Cat.Nos 0 552 41/91



Dimensions ELV 16 and 32 A

Straight plugs

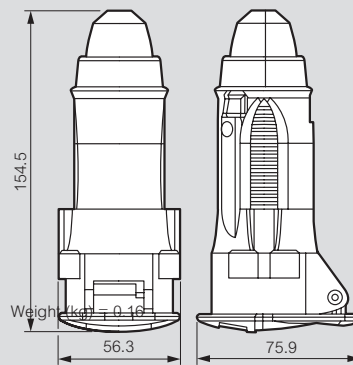
Cat.Nos 0 555 21/71



Weight (kg) = 0.132

Mobile sockets

Cat.Nos 0 552 31/81



P 17 Tempra Pro IP 66/67 - LV 16 and 32 A

Characteristics

Terminal connection:

- Panel and surface mounting sockets
- 16 A: max. 1 x 4 mm² rigid - 32 A: max. 1 x 10 mm² rigid
- Plugs, mobile sockets:
- 16 A: max. 1 x 2,5 mm² flexible - 32 A: max. 1 x 6 mm² flexible

• Appliance inlets:

16 A: max. 1 x 2.5 mm² rigid - 32 A: max. 1 x 6 mm² rigid

IP 66/67 according to IEC 60529 and EN 60529

IK 09 according to IEC 62262 and EN 62262

Material: polyamide 6

Self-extinguishing: 850 °C (support of active parts) / 650 °C (plastic housing)

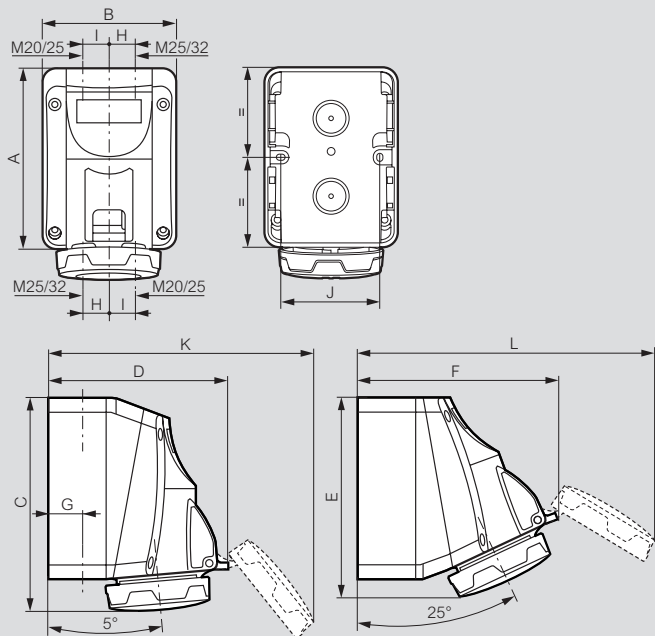
Temp. rating: - 25 °C to + 40 °C

Conform to IEC 60309-1 and IEC 60309-2

Dimensions

Surface mounting sockets

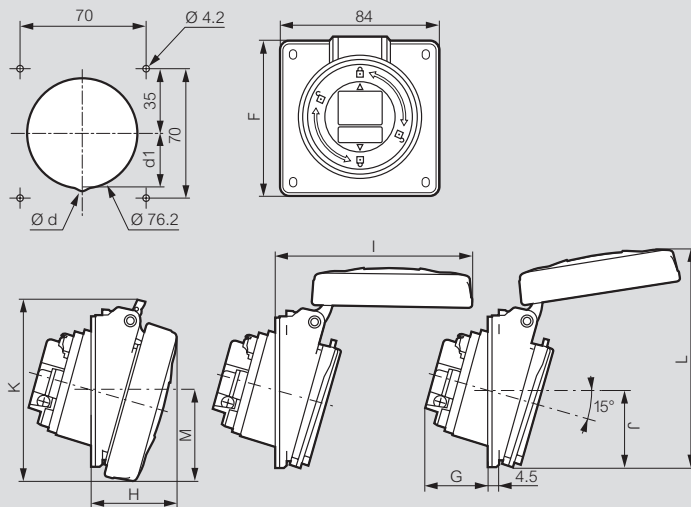
Cat.Nos 5 553 54/55/56/58/59 and 5 554 54/55/56/58/59



| | A | B | C | D | E | F | G | H | I | J | K | L |
|----------------|-----|-----|-----|-----|-----|-----|----|----|----|----|-----|-----|
| LV 16 A | | | | | | | | | | | | |
| 2P+E | 125 | 93 | 144 | 125 | 131 | 137 | 22 | 17 | 20 | 70 | 178 | 200 |
| 3P+E | 125 | 93 | 144 | 133 | 131 | 145 | 22 | 17 | 20 | 70 | 194 | 215 |
| 3P+N+E | 125 | 93 | 144 | 139 | 131 | 150 | 22 | 17 | 20 | 70 | 205 | 227 |
| LV 32 A | | | | | | | | | | | | |
| 2P+E | 150 | 113 | 171 | 155 | 156 | 170 | 28 | 22 | 26 | 90 | 224 | 250 |
| 3P+E | 150 | 113 | 171 | 161 | 156 | 175 | 28 | 22 | 26 | 90 | 231 | 260 |
| 3P+N+E | 150 | 113 | 171 | 161 | 156 | 175 | 28 | 22 | 26 | 90 | 231 | 260 |

Panel mounting sockets

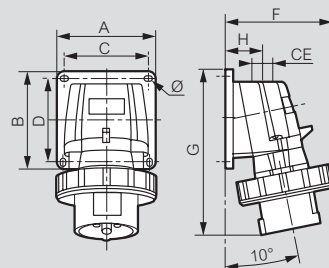
Cat.Nos 5 553 84/85/86/88/89 and 5 554 84/85/86/88/89



| | Dimensions (mm) | | | | | | | | | |
|----------------|-----------------|----|----|------|------|-------|------|------|-------|-------|
| | Ød | d1 | F | G | H | I | M | J | L | K |
| LV 16 A | | | | | | | | | | |
| 2P+E | - | - | 84 | 33.5 | 42 | 94 | 42.5 | 42 | 114 | 88 |
| 3P+E | - | - | 84 | 35.5 | 43 | 101 | 46 | 42 | 118 | 94.5 |
| 3P+N+E | - | - | 84 | 36.5 | 44 | 108.5 | 50 | 42.5 | 123 | 101 |
| LV 32 A | | | | | | | | | | |
| 2P+E/ 3P+E | - | - | 94 | 41.5 | 50.5 | 118 | 54.5 | 47.5 | 129.5 | 105.5 |
| 3P+N+E | 8 | 36 | 94 | 42.5 | 51.5 | 124.5 | 57.5 | 51 | 137 | 112 |

Appliance inlets

Cat.Nos 0 568 03/04/07/08/23/27/28



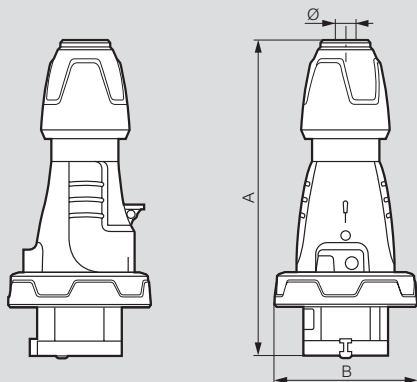
| | Weight (kg) | A/B | C/D | F | G | H | CE | Ø |
|----------------|-------------|-----|-----|-----|-----|----|------|-----|
| LV 16 A | | | | | | | | |
| 2P+E | 0.188 | 84 | 72 | 87 | 126 | 34 | M 20 | 4.3 |
| 3P+E | 0.257 | 84 | 72 | 95 | 134 | 34 | M 20 | 4.3 |
| 3P+N+E | 0.297 | 84 | 72 | 100 | 141 | 34 | M 20 | 4.3 |
| LV 32 A | | | | | | | | |
| 2P+E | 0.370 | 110 | 98 | 107 | 168 | 39 | M 25 | 5.3 |
| 3P+E | 0.413 | 110 | 98 | 113 | 168 | 39 | M 25 | 5.3 |

P 17 Tempra Pro IP 66/67 LV 16 and 32 A - mobile products

■ Dimensions

Straight plugs

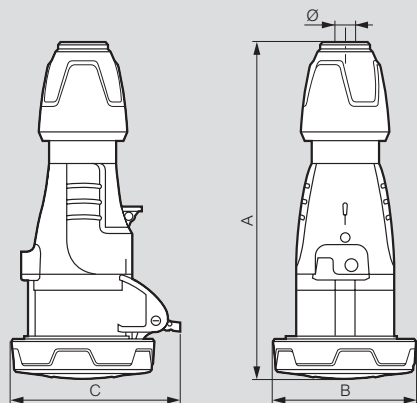
Cat.Nos 5 553 24/25/26/28/29 and 5 554 34/35/36/38/39



| | A | B | Ø |
|----------------|------------|------|--------------|
| LV 16 A | | | |
| 2P+E | 146 to 157 | 72.5 | 6.5 to 14 |
| 3P+E | 146 to 157 | 80.5 | 7.10 to 15.5 |
| 3P+N+E | 163 to 176 | 89 | 8 to 20 |
| LV 32 A | | | |
| 2P+E | 172 to 185 | 93 | 8 to 20 |
| 3P+E | 172 to 185 | 93 | 8 to 20 |
| 3P+N+E | 179 to 189 | 100 | 11.9 to 22.2 |

Mobile sockets

Cat.Nos 5 553 04/05/06/08/09 and 5 554 14/15/16/18/19



| | A | B | C | Ø |
|----------------|------------|------|-------|--------------|
| LV 16 A | | | | |
| 2P+E | 159 to 170 | 72.5 | 86 | 6.5 to 14 |
| 3P+E | 159 to 170 | 80.5 | 93 | 7.1 to 15.5 |
| 3P+N+E | 179 to 190 | 89 | 100 | 8 to 20 |
| LV 32 A | | | | |
| 2P+E | 187 to 200 | 93 | 104 | 8 to 20 |
| 3P+E | 187 to 200 | 93 | 104 | 8 to 20 |
| 3P+N+E | 192 to 205 | 100 | 110.5 | 11.9 to 22.2 |

P 17 Tempra Pro IP 66/67 - LV 63 A

■ Characteristics

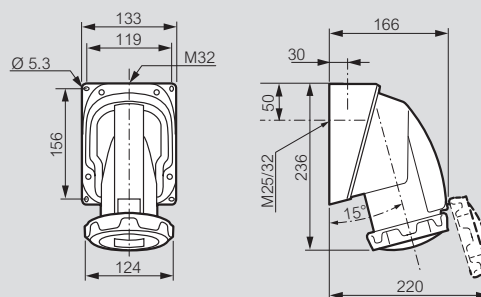
Terminal connection:

- Panel and surface mounting sockets
63 A: max. 1 x 25 mm² rigid - 125 A: max. 1 x 70 mm² rigid
 - Appliance inlets:
63 A: max. 1 x 16 mm² rigid - 125 A: max. 1 x 50 mm² rigid
 - Plugs and mobile sockets:
63 A: max. 1 x 16 mm² flexible - 125 A: max. 1 x 50 mm² flexible
- IP 66/67 according to IEC 60529 and EN 60529
IK 09 according to IEC 62262 and EN 62262
Material: plastic
Self-extinguishing: 850 °C (support of active parts) / 650 °C (plastic housing)
Temp. rating: - 25 °C to + 40 °C. According to IEC 60309-1 and IEC 60309-2

■ Dimensions

Surface mounting sockets

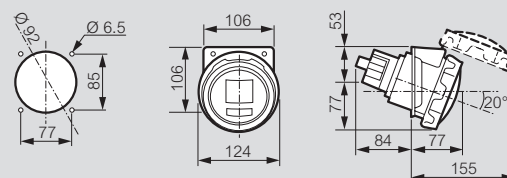
Cat.Nos 5 555 54/55/56/58/59



| | Weight (kg) |
|--------|-------------|
| 3P+E | 0.900 |
| 3P+N+E | 0.950 |

Panel mounting sockets (inclined outlet)

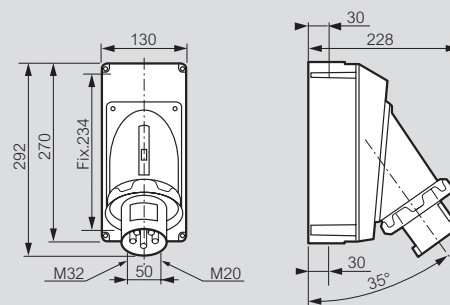
Cat.Nos 5 555 84/85/86/88/89



| | Weight (kg) |
|--------|-------------|
| 3P+E | 0.710 |
| 3P+N+E | 0.770 |

Appliance inlets

Cat.Nos 5 555 14/18/19



| | Weight (kg) |
|--------|-------------|
| 3P+E | 1.540 |
| 3P+N+E | 1.610 |

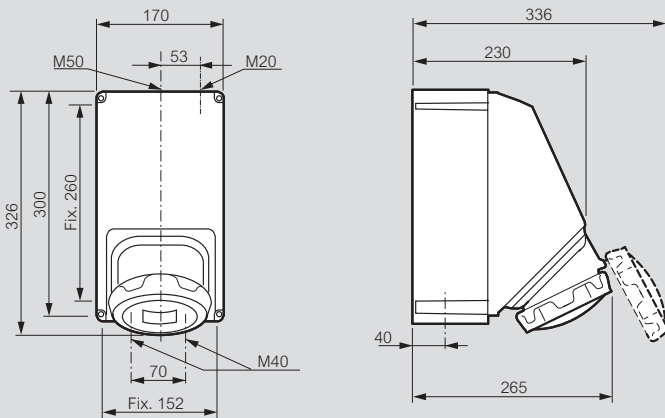
P 17 Tempra Pro IP 66/67 - LV 125 A

P 17 Tempra Pro IP 66/67 - LV 63 and 125 A mobile products

■ Dimensions

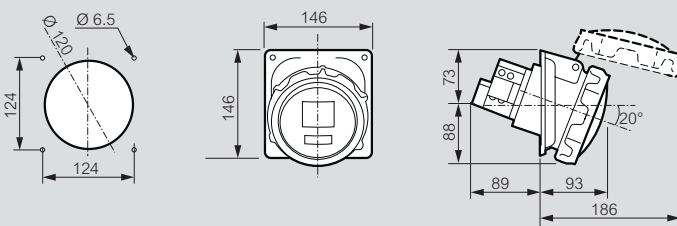
Surface mounting sockets

Cat.Nos 5 556 58/59



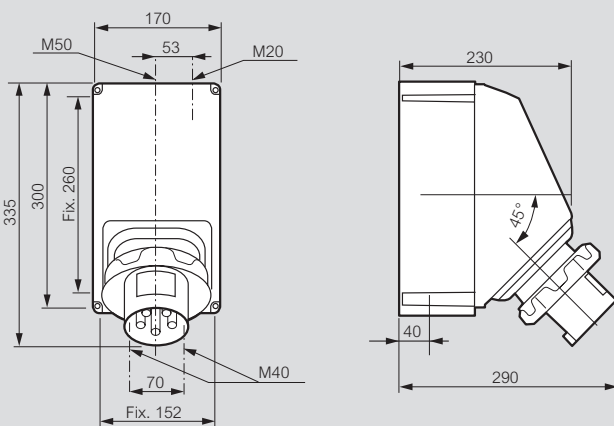
Panel mounting sockets

Cat.Nos 5 556 88/89



Appliance inlets

Cat.Nos 5 556 18/19

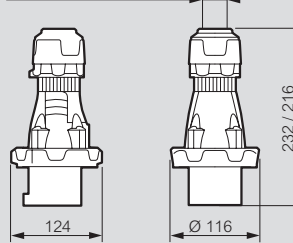


■ Dimensions LV 63 A

Straight plugs

Cat.Nos 5 555 24/25/26/28/29

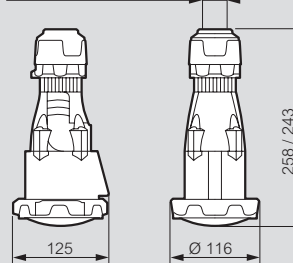
2P+T : Ø14.1 / 27.6
3P+T : Ø15.7 / 30.1
3P+N+T : Ø17.5 / 33



Mobile sockets

Cat.Nos 5 555 04/05/06/08/09

2P+T : Ø14.1 / 27.6
3P+T : Ø15.7 / 30.1
3P+N+T : Ø17.5 / 33

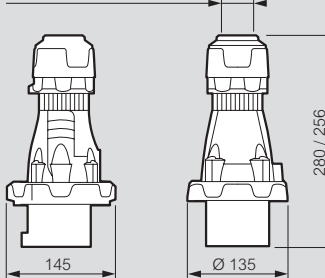


■ Dimensions LV 125 A

Straight plugs

Cat.Nos 5 556 28/29

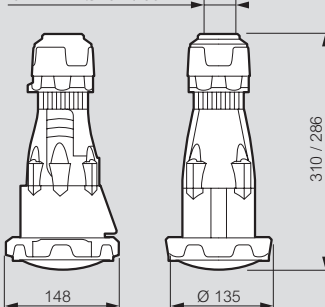
3P+T : Ø23.8 / 47.5
3P+N+T : Ø26.4 / 50



Mobile sockets

Cat.Nos 5 556 08/09

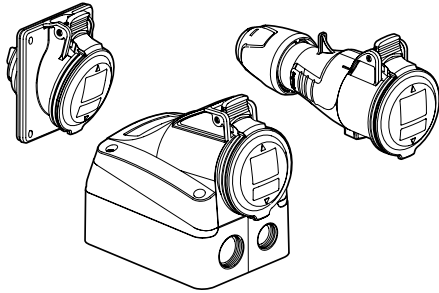
3P+T : Ø23.8 / 47.5
3P+N+T : Ø26.4 / 50



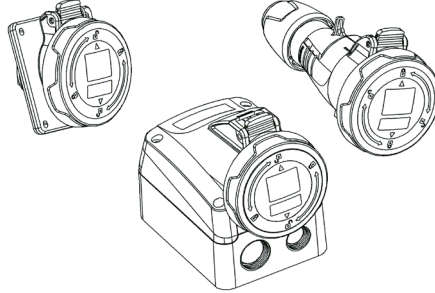
**Plugs, mobile sockets,
panel mounting sockets,
surface mounting sockets,
P17 Tempra Pro IP44 and low voltage 66/67**

Catalogue number(s): 5 551 01/02/04/05/06/07/08/09/10/12/13/21/
22/24/25/ 26/27/28/29/30/32/33/51/52/54/55/
56/57/58/59/60/62/63/81/84/85/86/88/89/90/
92/93 - 5 552 11/14/15/16/17/18/19/20/22/23/
31/34/35/36/37/38/39/40/42/43/51/54/55/56/
57/58/59/60/62/63/81/84/85/86/88/89/90/92/
93 - 5 553 01/04/05/06/08/09/12/21/24/25/26/
28/29/32/51/54/55/56/58/59/62/81/84/85/86/
88/89/92 - 5 554 14/15/16/18/19/21/22/31/34/
35/36/38/39/41/42/43/51/54/55/56/58/59/62/
63/81/84/85/86/88/89/91/92

IP44



IP66/67



CONTENTS

Page

| | |
|------------------------------------|----|
| 1. General characteristics | 1 |
| 2. Use | 1 |
| 3. Range/Equivalence table | 1 |
| 4. Dimensions | 3 |
| 5. Technical characteristics | 6 |
| 6. Installation | 7 |
| 7. Connection | 9 |
| 8. Standards & regulations | 10 |
| 9. Accessories | 10 |

1. GENERAL CHARACTERISTICS

- 16 to 32A IP44 AND IP66/67
 - Material: PA6 RAL 7042
 - IK 09
- The surface mounting sockets and mobile sockets are used for current distribution
The plugs are to be equipped with portable or mobile electrical equipment (i.e.: lamp, air compressor, welding units, etc...)
Connected to a mobile socket, they together form an extension.

2. USE

- A. Panel mounting sockets and surface mounting sockets**
- For fixing using captive screws
 - 5.5 screw PZ2 with mixed head (flat or Pozidriv screwdriver 5.5)
 - Incline:
 - 15° for panel mounting sockets
 - 5 or 25° for surface mounting sockets
 - Removable contact support for surface mounting sockets.
 - On surface mounting sockets, 4 sealed and threaded entries for cable gland ISO mounting.
- B. Mobile plugs and sockets**
- For fixing using captive screws
 - 5.5 screw PZ2 with mixed head (flat or Pozidriv screwdriver 5.5)
 - Quarter-turn closing of the product without fixing screw and locking (supplied unlocked) by locking slat
 - Integrated cable gland with locknut claws
 - Automatic sealing with cable insertion
 - Cable splicing with simple tightening of the cable gland
 - Captive cable gland
 - Number of openings/closures tested: 30

2. USE (CONTINUED)

Easy and quick cabling

Automatic sealing with cable insertion



1/4 turn closing without fixing screw and locking by metal slat

3. RANGE/EQUIVALENCE TABLE

16A straight plug



| | | IP44 | | | IP66/67 | |
|----------|------|----------------------|------------------|------------------|-------------------------|---------------------|
| | | | | | | |
| | Name | P17 Tempra Pro IP 44 | P17 Tempra IP 44 | P17 Sherpa IP 44 | P17 Tempra Pro IP 66/67 | P17 Tempra IP 66/67 |
| 100/130V | 2P+E | 5 551 21 | 0 574 21 | 0 574 31 | 5 553 21 | 0 563 00 |
| | 3P+E | 5 551 22 | 0 574 22 | | | |
| 200/250V | 2P+E | 5 551 24 | 0 574 24 | 0 574 34 | 5 553 24 | 0 563 03 |
| | 3P+E | 5 551 25 | 0 574 25 | | 5 553 25 | 0 563 04 |
| | 4P+E | 5 551 26 | 0 574 26 | | 5 553 26 | 0 563 05 |
| 380/415V | 2P+E | 5 551 27 | 0 574 27 | | | |
| | 3P+E | 5 551 28 | 0 574 28 | 0 574 38 | 5 553 28 | 0 563 07 |
| | 4P+E | 5 551 29 | 0 574 29 | 0 574 39 | 5 553 29 | 0 563 08 |
| 440/460V | 3P+E | 5 551 30 | 6 573 07 | | | |
| 480/500V | 3P+E | 5 551 32 | 0 563 59 | | 5 553 32 | |
| | 4P+E | 5 551 33 | 0 563 60 | | | |

**Plugs, mobile sockets,
panel mounting sockets,
surface mounting sockets,
P17 Tempra Pro IP44 and low voltage 66/67**



Catalogue number(s): 5 551 01/02/04/05/06/07/08/09/10/12/13/21/
22/24/25/ 26/27/28/29/30/32/33/51/52/54/55/
56/57/58/59/60/62/63/81/84/85/86/88/89/90/
92/93 - 5 552 11/14/15/16/17/18/19/20/22/23/
31/34/35/36/37/38/39/40/42/43/51/54/55/56/
57/58/59/60/62/63/81/84/85/86/88/89/90/92/
93 - 5 553 01/04/05/06/08/09/12/21/24/25/26/
28/29/32/51/54/55/56/58/59/62/81/84/85/86/
88/89/92 - 5 554 14/15/16/18/19/21/22/31/34/
35/36/38/39/41/42/43/51/54/55/56/58/59/62/
63/81/84/85/86/88/89/91/92

3. RANGE/EQUIVALENCE TABLE (CONTINUED)



16A mobile socket

| | | IP44 | | | IP66/67 | |
|----------|------|---|-----------------|-----------------|---|---------------------|
| | |  | | |  | |
| | Name | P17 Tempra Pro IP44 | P17 Tempra IP44 | P17 Sherpa IP44 | P17 Tempra Pro IP 66/67 | P17 Tempra IP 66/67 |
| 100/130V | 2P+E | 5 551 01 | 0 575 01 | 0 575 11 | 5 553 01 | 0 562 00 |
| | 3P+E | 5 551 02 | 0 575 02 | | | |
| 200/250V | 2P+E | 5 551 04 | 0 575 04 | 0 575 14 | 5 553 04 | 0 562 03 |
| | 3P+E | 5 551 05 | 0 575 05 | | 5 553 05 | 0 562 04 |
| | 4P+E | 5 551 06 | 0 575 06 | | 5 553 06 | 0 562 05 |
| 380/415V | 2P+E | 5 551 07 | 0 575 07 | | | |
| | 3P+E | 5 551 08 | 0 575 08 | 0 575 18 | 5 553 08 | 0 562 07 |
| | 4P+E | 5 551 09 | 0 575 09 | 0 575 19 | 5 553 09 | 0 562 08 |
| 440/460V | 3P+E | 5 551 10 | 6 574 07 | | | |
| 480/500V | 3P+E | 5 551 12 | 0 562 59 | | 5 553 12 | |
| | 4P+E | 5 551 13 | 0 562 60 | | | |



16A panel mounting socket

| | | IP44 | | | IP66/67 | |
|----------|------|---|-----------------|-----------------|---|---------------------|
| | |  | | |  | |
| | Name | P17 Tempra Pro IP44 | P17 Tempra IP44 | P17 Sherpa IP44 | P17 Tempra Pro IP 66/67 | P17 Tempra IP 66/67 |
| 100/130V | 2P+E | 5 551 51 | 0 553 50 | 0 555 50 | 5 553 01 | 0 553 00 |
| | 3P+E | 5 551 52 | 0 553 51 | | | |
| 200/250V | 2P+E | 5 551 54 | 0 553 53 | 0 555 53 | 5 553 54 | 0 553 03 |
| | 3P+E | 5 551 55 | 0 553 54 | | 5 553 55 | 0 553 04 |
| | 4P+E | 5 551 56 | 0 553 55 | | 5 553 56 | 0 553 05 |
| 380/415V | 2P+E | 5 551 57 | 0 553 56 | | | |
| | 3P+E | 5 551 58 | 0 553 57 | 0 555 57 | 5 553 58 | 0 553 07 |
| | 4P+E | 5 551 59 | 0 553 58 | 0 555 58 | 5 553 59 | 0 553 08 |
| 440/460V | 3P+E | 5 551 60 | 6 572 07 | | | |
| 480/500V | 3P+E | 5 551 62 | 0 553 59 | | 5 553 62 | |
| | 4P+E | 5 551 63 | 0 553 60 | | | |



16A panel mounting socket

| | | IP44 | | | IP66/67 | |
|----------|------|---|-----------------|-----------------|---|---------------------|
| | |  | | |  | |
| | Name | P17 Tempra Pro IP44 | P17 Tempra IP44 | P17 Sherpa IP44 | P17 Tempra Pro IP 66/67 | P17 Tempra IP 66/67 |
| 100/130V | 2P+E | 5 551 81 | 0 576 10 | | 5 553 81 | 0 576 50 |
| | 2P+E | 5 551 84 | 0 576 11 | | 5 553 84 | 0 576 51 |
| 200/250V | 3P+E | 5 551 85 | 0 576 15 | | 5 553 85 | 0 576 55 |
| | 4P+E | 5 551 86 | 0 576 21 | | 5 553 86 | 0 576 61 |
| | 3P+E | 5 551 88 | 0 576 17 | | 5 553 88 | 0 576 57 |
| 380/415V | 4P+E | 5 551 89 | 0 576 23 | | 5 553 89 | 0 576 63 |
| | 3P+E | 5 551 90 | 6 571 07 | | | |
| 480/500V | 3P+E | 5 551 92 | 0 576 19 | | 5 553 92 | |
| | 4P+E | 5 551 93 | 0 576 25 | | | |



32A straight plug

| | | IP44 | | | IP66/67 | |
|----------|------|---|-----------------|-----------------|---|---------------------|
| | |  | | |  | |
| | Name | P17 Tempra Pro IP44 | P17 Tempra IP44 | P17 Sherpa IP44 | P17 Tempra Pro IP 66/67 | P17 Tempra IP 66/67 |
| 100/130V | 2P+E | 5 552 31 | 0 581 21 | | | 0 563 20 |
| | 2P+E | 5 552 34 | 0 581 24 | 0 581 34 | 5 554 34 | 0 563 23 |
| 200/250V | 3P+E | 5 552 35 | 0 581 25 | | 5 554 35 | 0 563 24 |
| | 4P+E | 5 552 36 | 0 581 26 | | 5 554 36 | 0 563 25 |
| 380/415V | 2P+E | 5 552 37 | 0 581 27 | | | |
| | 3P+E | 5 552 38 | 0 581 28 | 0 581 38 | 5 554 38 | 0 563 27 |
| | 4P+E | 5 552 39 | 0 581 29 | 0 581 39 | 5 554 39 | 0 563 28 |
| 440/460V | 3P+E | 5 552 40 | 6 573 27 | | | |
| 440V | 3P+E | | | | 5 554 41 | 6 571 26 |
| 480/500V | 3P+E | 5 552 42 | 0 563 79 | | 5 554 42 | |
| | 4P+E | 5 552 43 | 0 563 80 | | 5 554 43 | |

32A mobile socket

| | | IP44 | | | IP66/67 | |
|----------|------|---|-----------------|-----------------|---|---------------------|
| | |  | | |  | |
| | Name | P17 Tempra Pro IP44 | P17 Tempra IP44 | P17 Sherpa IP44 | P17 Tempra Pro IP 66/67 | P17 Tempra IP 66/67 |
| 100/130V | 2P+E | 5 552 11 | 0 582 01 | | | |
| | 2P+E | 5 552 14 | 0 582 04 | 0 582 14 | 5 554 14 | 0 562 23 |
| 200/250V | 3P+E | 5 552 15 | 0 582 05 | | 5 554 15 | 0 562 24 |
| | 4P+E | 5 552 16 | 0 582 06 | | 5 554 16 | 0 562 25 |
| 380/415V | 2P+E | 5 552 17 | 0 582 07 | | | |
| | 3P+E | 5 552 18 | 0 582 08 | 0 582 18 | 5 554 18 | 0 562 27 |
| | 4P+E | 5 552 19 | 0 582 09 | 0 582 19 | 5 554 19 | 0 562 28 |
| 440/460V | 3P+E | 5 552 20 | 6 574 27 | | | |
| 440V | 3P+E | | | | 5 554 21 | 6 571 46 |
| 480/500V | 3P+E | 5 552 22 | 0 562 79 | | 5 554 22 | |
| | 4P+E | 5 552 23 | 0 562 80 | | | |

32A panel mounting socket



| | | IP44 | | | IP66/67 | |
|----------|------|---|-----------------|-----------------|---|---------------------|
| | |  | | |  | |
| | Name | P17 Tempra Pro IP44 | P17 Tempra IP44 | P17 Sherpa IP44 | P17 Tempra Pro IP 66/67 | P17 Tempra IP 66/67 |
| 100/130V | 2P+E | 5 552 51 | 0 553 70 | | 5 554 51 | 0 553 20 |
| | 2P+E | 5 552 54 | 0 553 73 | 0 555 73 | 5 554 54 | 0 553 23 |
| 200/250V | 3P+E | 5 552 55 | 0 553 74 | | 5 554 55 | 0 553 24 |
| | 4P+E | 5 552 56 | 0 553 75 | | 5 554 56 | 0 553 25 |
| 380/415V | 2P+E | 5 552 57 | 0 553 76 | | | |
| | 3P+E | 5 552 58 | 0 553 77 | 0 555 77 | 5 554 58 | 0 553 27 |
| | 4P+E | 5 552 59 | 0 553 78 | 0 555 78 | 5 554 59 | 0 553 28 |
| 440/460V | 3P+E | 5 552 60 | 6 572 27 | | | |
| 480/500V | 3P+E | 5 552 62 | 0 553 79 | | 5 554 62 | |
| | 4P+E | 5 552 63 | 0 553 80 | | 5 554 63 | |

**Plugs, mobile sockets,
panel mounting sockets,
surface mounting sockets,
P17 Tempra Pro IP44 and low voltage 66/67**

Catalogue number(s): 5 551 01/02/04/05/06/07/08/09/10/12/13/21/
22/24/25/ 26/27/28/29/30/32/33/51/52/54/55/
56/57/58/59/60/62/63/81/84/85/86/88/89/90/
92/93 - 5 552 11/14/15/16/17/18/19/20/22/23/
31/34/35/36/37/38/39/40/42/43/51/54/55/56/
57/58/59/60/62/63/81/84/85/86/88/89/90/92/
93 - 5 553 01/04/05/06/08/09/12/21/24/25/26/
28/29/32/51/54/55/56/58/59/62/81/84/85/86/
88/89/92 - 5 554 14/15/16/18/19/21/22/31/34/
35/36/38/39/41/42/43/51/54/55/56/58/59/62/
63/81/84/85/86/88/89/91/92

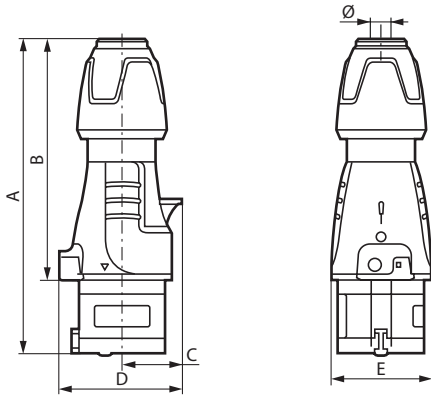
3. RANGE/EQUIVALENCE TABLE (CONTINUED)

32A panel mounting socket

| | | IP44 | | | IP66/67 | |
|----------|------|---|-----------------|-----------------|---|---------------------|
| | |  | | |  | |
| | Name | P17 Tempra Pro IP44 | P17 Tempra IP44 | P17 Sherpa IP44 | P17 Tempra Pro IP 66/67 | P17 Tempra IP 66/67 |
| 100/130V | 2P+E | 5 552 81 | 0 576 08 | | 5 554 81 | 0 576 48 |
| 200/250V | 2P+E | 5 552 84 | 0 576 12 | | 5 554 84 | 0 576 52 |
| | 3P+E | 5 552 85 | 0 576 16 | | 5 554 85 | 0 576 56 |
| | 4P+E | 5 552 86 | 0 576 22 | | 5 554 86 | 0 576 62 |
| 380/415V | 3P+E | 5 552 88 | 0 576 18 | | 5 554 88 | 0 576 58 |
| | 4P+E | 5 552 89 | 0 576 24 | | 5 554 89 | 0 576 64 |
| 440/460V | 3P+E | 5 552 90 | 6 571 27 | | | |
| 440V | 3P+E | | | | 5 554 91 | 6 571 16 |
| 480/500V | 3P+E | 5 552 92 | 0 576 20 | | 5 554 92 | |
| | 4P+E | 5 552 93 | 0 576 26 | | | |

4. DIMENSIONS

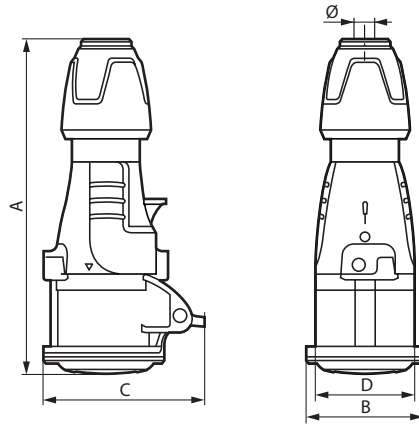
Straight plugs 16/32A IP44



| | A | B | C | D | E | Ø |
|----------------|------------|----------------|----|----|----|--------------|
| LV 16 A | | | | | | |
| 2P+E | 146 to 157 | 109.5 to 120.5 | 30 | 61 | 50 | 6.5 to 14 |
| 3P+E | 146 to 157 | 109.5 to 120.5 | 34 | 67 | 55 | 7.10 to 15.5 |
| 3P+N+E | 163 to 176 | 126.5 to 139.5 | 38 | 76 | 65 | 8 to 20 |
| LV 32 A | | | | | | |
| 2P+E | 172 to 185 | 127 to 140 | 40 | 78 | 65 | 8 to 20 |
| 3P+E | 172 to 185 | 127 to 140 | 40 | 78 | 65 | 8 to 20 |
| 3P+N+E | 179 to 189 | 133 to 143 | 45 | 86 | 71 | 11.9 to 22.2 |

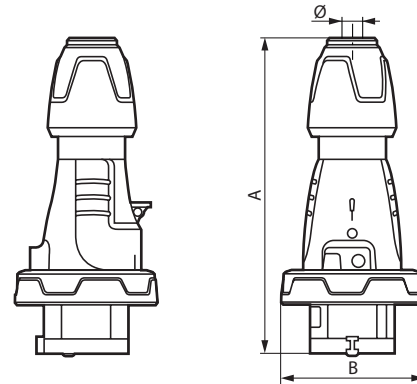
4. DIMENSIONS (CONTINUED)

Straight plugs 16/32A IP44



| | A | B | C | D | Ø |
|----------------|------------|------|-----|----|--------------|
| LV 16 A | | | | | |
| 2P+E | 156 to 167 | 59 | 81 | 50 | 6.5 to 14 |
| 3P+E | 157 to 168 | 65 | 88 | 55 | 7.10 to 15.5 |
| 3P+N+E | 175 to 188 | 72 | 94 | 65 | 8 to 20 |
| LV 32 A | | | | | |
| 2P+E | 184 to 197 | 73 | 99 | 65 | 8 to 20 |
| 3P+E | 184 to 197 | 73.5 | 99 | 65 | 8 to 20 |
| 3P+N+E | 190 to 203 | 79.5 | 105 | 71 | 11.9 to 22.2 |

Straight plugs 16/32A IP66/67



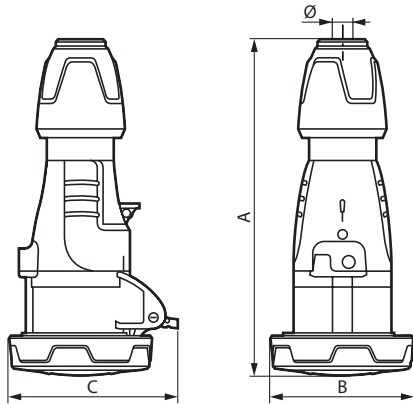
| | A | B | Ø |
|----------------|------------|------|--------------|
| LV 16 A | | | |
| 2P+E | 146 to 157 | 72.5 | 6.5 to 14 |
| 3P+E | 146 to 157 | 80.5 | 7.10 to 15.5 |
| 3P+N+E | 163 to 176 | 89 | 8 to 20 |
| LV 32 A | | | |
| 2P+E | 172 to 185 | 93 | 8 to 20 |
| 3P+E | 172 to 185 | 93 | 8 to 20 |
| 3P+N+E | 179 to 189 | 100 | 11.9 to 22.2 |

**Plugs, mobile sockets,
panel mounting sockets,
surface mounting sockets,
P17 Tempra Pro IP44 and low voltage 66/67**

Catalogue number(s): 5 551 01/02/04/05/06/07/08/09/10/12/13/21/
22/24/25/ 26/27/28/29/30/32/33/51/52/54/55/
56/57/58/59/60/62/63/81/84/85/86/88/89/90/
92/93 - 5 552 11/14/15/16/17/18/19/20/22/23/
31/34/35/36/37/38/39/40/42/43/51/54/55/56/
57/58/59/60/62/63/81/84/85/86/88/89/90/92/
93 - 5 553 01/04/05/06/08/09/12/21/24/25/26/
28/29/32/51/54/55/56/58/59/62/81/84/85/86/
88/89/92 - 5 554 14/15/16/18/19/21/22/31/34/
35/36/38/39/41/42/43/51/54/55/56/58/59/62/
63/81/84/85/86/88/89/91/92

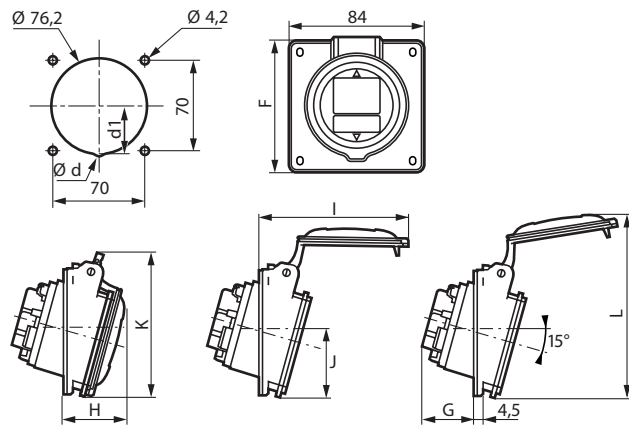
4. DIMENSIONS (SUITE)

Mobile sockets 16/32A IP66/67



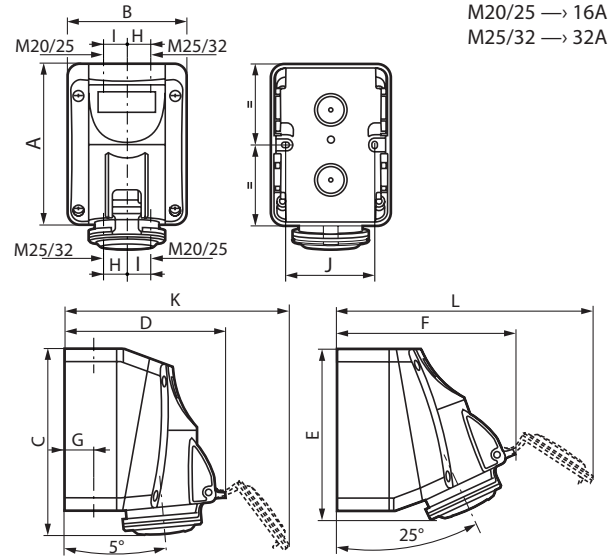
| | A | B | C | Ø |
|----------------|------------|------|-------|--------------|
| LV 16 A | | | | |
| 2P+E | 159 to 170 | 72.5 | 86 | 6.5 to 14 |
| 3P+E | 159 to 170 | 80.5 | 93 | 7.10 to 15.5 |
| 3P+N+E | 179 to 190 | 89 | 100 | 8 to 20 |
| LV 32 A | | | | |
| 2P+E | 187 to 200 | 93 | 104 | 8 to 20 |
| 3P+E | 187 to 200 | 93 | 104 | 8 to 20 |
| 3P+N+E | 192 to 205 | 100 | 110.5 | 11.9 to 22.2 |

IP 44 panel mounting sockets with standard fixing centres



| | Ød | d1 | F | G | H | I | J | K | L |
|----------------|----|----|----|------|------|-----|------|-------|-------|
| LV 16 A | | | | | | | | | |
| 2P+E | - | - | 84 | 33.5 | 37.5 | 85 | 42 | 88.5 | 112.5 |
| 3P+E | - | - | 84 | 35.5 | 38.5 | 93 | 42 | 91.5 | 118.5 |
| 3P+N+E | - | - | 84 | 36.5 | 39.5 | 100 | 43.3 | 97 | 123.5 |
| LV 32 A | | | | | | | | | |
| 2P+E | - | - | 94 | 41.5 | 45.5 | 110 | 47 | 102 | 131 |
| 3P+E | - | - | 94 | 42.5 | 46.5 | 117 | 47 | 107.5 | 138 |

16/32A IP44 surface mounting sockets



M20/25 → 16A
M25/32 → 32A

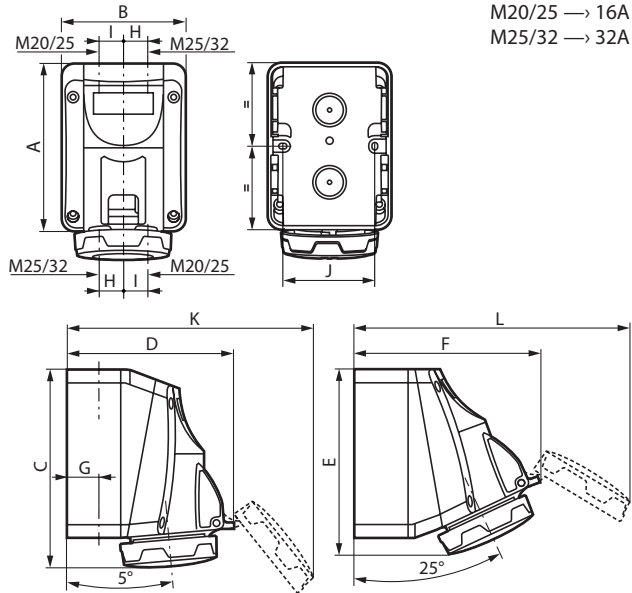
| | A | B | C | D | E | F | G | H | I | J | K | L |
|----------------|-----|-----|-----|-----|-----|-----|----|----|----|----|-----|-----|
| LV 16 A | | | | | | | | | | | | |
| 2P+E | 125 | 93 | 147 | 126 | 138 | 139 | 22 | 17 | 20 | 70 | 176 | 195 |
| 3P+E | 125 | 93 | 147 | 134 | 138 | 147 | 22 | 17 | 20 | 70 | 190 | 210 |
| 3P+N+E | 125 | 93 | 147 | 140 | 138 | 153 | 22 | 17 | 20 | 70 | 201 | 221 |
| LV 32 A | | | | | | | | | | | | |
| 2P+E | 150 | 113 | 174 | 156 | 163 | 172 | 28 | 22 | 26 | 90 | 220 | 245 |
| 3P+E | 150 | 113 | 174 | 156 | 163 | 172 | 28 | 22 | 26 | 90 | 220 | 245 |
| 3P+N+E | 150 | 113 | 174 | 162 | 163 | 177 | 28 | 22 | 26 | 90 | 230 | 256 |

**Plugs, mobile sockets,
panel mounting sockets,
surface mounting sockets,
P17 Tempra Pro IP44 and low voltage 66/67**

Catalogue number(s): 5 551 01/02/04/05/06/07/08/09/10/12/13/21/
22/24/25/ 26/27/28/29/30/32/33/51/52/54/55/
56/57/58/59/60/62/63/81/84/85/86/88/89/90/
92/93 - 5 552 11/14/15/16/17/18/19/20/22/23/
31/34/35/36/37/38/39/40/42/43/51/54/55/56/
57/58/59/60/62/63/81/84/85/86/88/89/90/92/
93 - 5 553 01/04/05/06/08/09/12/21/24/25/26/
28/29/32/51/54/55/56/58/59/62/81/84/85/86/
88/89/92 - 5 554 14/15/16/18/19/21/22/31/34/
35/36/38/39/41/42/43/51/54/55/56/58/59/62/
63/81/84/85/86/88/89/91/92

4. DIMENSIONS (SUITE)

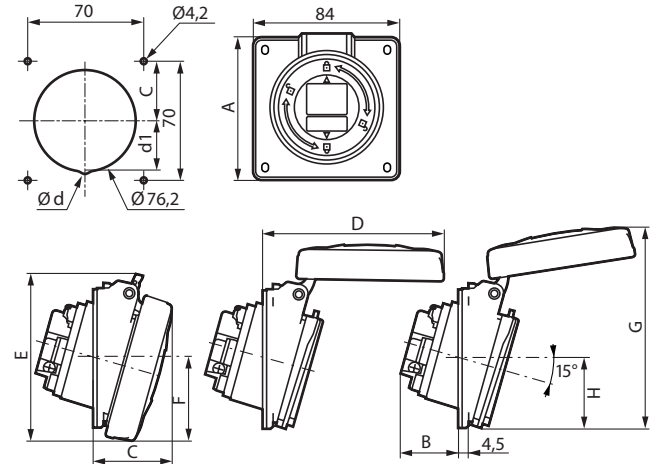
IP66/67 surface mounting sockets



M20/25 → 16A
M25/32 → 32A

| | A | B | C | D | E | F | G | H | I | J | K | L |
|----------------|-----|-----|-----|-----|-----|-----|----|----|----|----|-----|-----|
| LV 16 A | | | | | | | | | | | | |
| 2P+E | 125 | 93 | 144 | 125 | 131 | 137 | 22 | 17 | 20 | 70 | 178 | 200 |
| 3P+E | 125 | 93 | 144 | 133 | 131 | 145 | 22 | 17 | 20 | 70 | 194 | 215 |
| 3P+N+E | 125 | 93 | 144 | 139 | 131 | 150 | 22 | 17 | 20 | 70 | 205 | 227 |
| LV 32 A | | | | | | | | | | | | |
| 2P+E | 150 | 113 | 171 | 155 | 156 | 170 | 28 | 22 | 26 | 90 | 224 | 250 |
| 3P+E | 150 | 113 | 171 | 161 | 156 | 175 | 28 | 22 | 26 | 90 | 231 | 260 |

IP66/67 panel mounting sockets



| | Ød | d1 | A | B | C | D | E | F | G | H |
|----------------|----|----|----|------|------|-------|-------|------|-------|------|
| LV 16 A | | | | | | | | | | |
| 2P+E | - | - | 84 | 33.5 | 42 | 94 | 88 | 42.5 | 114 | 42 |
| 3P+E | - | - | 84 | 35.5 | 43 | 101 | 94.5 | 46 | 118 | 42 |
| 3P+N+E | - | - | 84 | 36.5 | 44 | 108.5 | 101 | 50 | 123 | 42.5 |
| LV 32 A | | | | | | | | | | |
| 2P+E | - | - | 94 | 41.5 | 50.5 | 118 | 105.5 | 54.5 | 129.5 | 47.5 |
| 3P+E | 8 | 36 | 94 | 42.5 | 51.5 | 124.5 | 112 | 57.5 | 137 | 51 |

**Plugs, mobile sockets,
panel mounting sockets,
surface mounting sockets,
P17 Tempra Pro IP44 and low voltage 66/67**

Catalogue number(s): 5 551 01/02/04/05/06/07/08/09/10/12/13/21/
22/24/25/ 26/27/28/29/30/32/33/51/52/54/55/
56/57/58/59/60/62/63/81/84/85/86/88/89/90/
92/93 - 5 552 11/14/15/16/17/18/19/20/22/23/
31/34/35/36/37/38/39/40/42/43/51/54/55/56/
57/58/59/60/62/63/81/84/85/86/88/89/90/92/
93 - 5 553 01/04/05/06/08/09/12/21/24/25/26/
28/29/32/51/54/55/56/58/59/62/81/84/85/86/
88/89/92 - 5 554 14/15/16/18/19/21/22/31/34/
35/36/38/39/41/42/43/51/54/55/56/58/59/62/
63/81/84/85/86/88/89/91/92

5. TECHNICAL CHARACTERISTICS

5.1 Incandescent wire resistance

- 850°C for live part supports
- 650°C for other components

5.2 Isolation voltage

- 750V
- Dielectric strength
- 3000V 50Hz

5.3 Minimum Usage temperature (connection and disconnection)

- 40°C / maximum + 55°C

5.4 Minimum Installation temperature (wiring and/or fitting)

- 5°C / maximum + 40°C

5.5 Degree of protection

- No penetration by water or dust in the IP66/67 products after ageing for 7 days at 80°C.

5.6 Materials

Chemical agents **Material resistance**

Aqueous solutions

| | |
|------------------------------|----|
| Cold water | ++ |
| Hot water | - |
| Steam | -- |
| 5 % saline solution | + |
| Hydrogen peroxide | - |
| Water + washing powder | + |
| Water + surfactants | + |
| Formaldehyde | ++ |

Alcohols

| | |
|----------------|----|
| Ethanol | ++ |
| Methanol | - |
| Propanol | + |
| Butanol | + |

Glycols

| | |
|-----------------------|----|
| Ethylene glycol | - |
| Phenols | -- |
| Cresols | - |

Alkalis

| | |
|--|----|
| Ammonia | + |
| Sodium hydroxide (caustic soda) | -- |
| Sodium hypochlorite (12° bleach) | - |
| Potassium hydroxide (potash) | + |

Strong oxidizing acids

| | |
|--------------------------------|----|
| Concentrated acetic acid | -- |
| 5% nitric acid | - |
| 10 % sulphuric acid | - |
| 30% hydrochloric acid | - |
| 70% perchloric acid | - |
| 70% hydrofluoric acid | -- |
| 50% chromic acid | -- |
| 30% phosphoric acid | - |

Weak acids

| | |
|---------------------------------|----|
| Acetic acid diluted < 25% | - |
| Citric acid | + |
| Lactic acid | - |
| Formic acid | -- |
| Uric acid | ++ |

5.6 Material Characteristics (continued)

Chemical agents **Material resistance**

Animal oils and fats

| | |
|---------------------|----|
| Lard | ++ |
| Butter, cream | ++ |

Vegetable oils and fats

| | |
|---------------------------|----|
| Linseed oil | ++ |
| Groundnut/Olive oil | ++ |
| Castor oil | ++ |
| Glycerine | ++ |

Mineral oils and fats

| | |
|-------------------------------|----|
| Paraffin wax (Vaseline) | ++ |
| Automotive engine oils | + |
| Silicone oils | + |
| Cutting oils | ++ |
| Hydraulic oils | ++ |

Hydrocarbons

| | |
|------------------------|----|
| Lead-free petrol | ++ |
| Diesel | ++ |
| Kerosene | ++ |
| White spirit | + |

Chlorinated solvents

| | |
|----------------------------|----|
| Trichloroethylene | - |
| Trichloroethane | -- |
| Perchloroethylene | - |
| Methylene chloride | -- |
| Carbon tetrachloride | - |
| Chloroform | - |

Aromatic solvents

| | |
|---------------|---|
| Benzene | + |
| Toluene | + |
| Xylene | + |

Aliphatic solvents

| | |
|--------------|---|
| Hexane | + |
|--------------|---|

Fluorinated solvents

| | |
|-------------------------------|----|
| Trichlorofluoro methane | -- |
|-------------------------------|----|

Ketones

| | |
|---------------------------|---|
| Acetone | + |
| Methyl ethyl ketone | + |
| Ethyl acetate | + |

Terpenes

| | |
|------------------|---|
| Turpentine | - |
|------------------|---|

Resistance to chemical agents at ambient temperature related to a risk of exposure by spraying

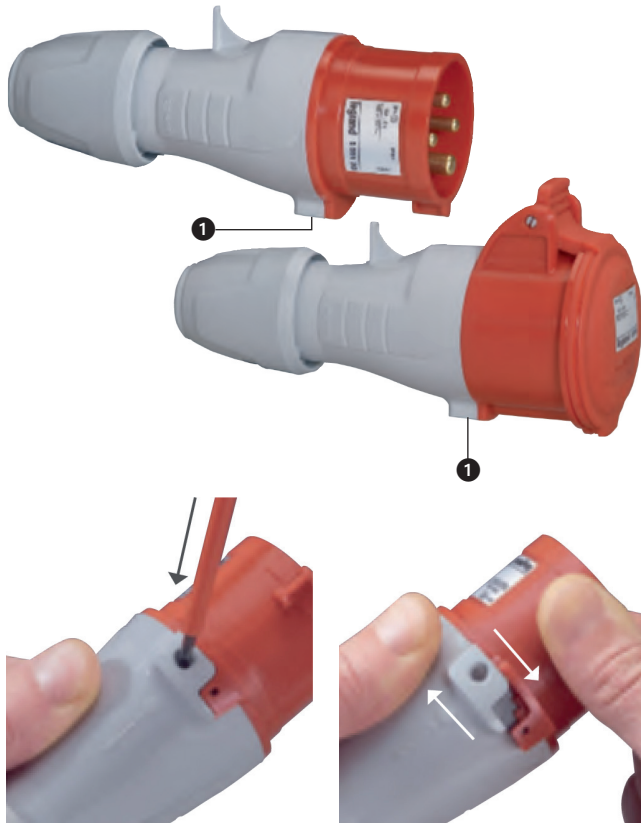
- ++ excellent resistance (continuous exposure)
- + good resistance (lasting exposure)
- limited resistance (brief exposure possible)
- poor resistance (exposure to be avoided)

**Plugs, mobile sockets,
panel mounting sockets,
surface mounting sockets,
P17 Tempra Pro IP44 and low voltage 66/67**

Catalogue number(s): 5 551 01/02/04/05/06/07/08/09/10/12/13/21/
22/24/25/ 26/27/28/29/30/32/33/51/52/54/55/
56/57/58/59/60/62/63/81/84/85/86/88/89/90/
92/93 - 5 552 11/14/15/16/17/18/19/20/22/23/
31/34/35/36/37/38/39/40/42/43/51/54/55/56/
57/58/59/60/62/63/81/84/85/86/88/89/90/92/
93 - 5 553 01/04/05/06/08/09/12/21/24/25/26/
28/29/32/51/54/55/56/58/59/62/81/84/85/86/
88/89/92 - 5 554 14/15/16/18/19/21/22/31/34/
35/36/38/39/41/42/43/51/54/55/56/58/59/62/
63/81/84/85/86/88/89/91/92

6. INSTALLATION

6.1 Plugs and sockets



1 - QUICK OPENING/CLOSING SYSTEM

Unlocked by pressing with a screwdriver. Marking indicates the location for the locking clip.

Opened by turning the 2 parts in opposite directions



2 - CABLE STRIPPING

Marking allows the user to quickly see the length of cable to be stripped. Option of using cables with glands.



3 - EASY HANDLING

Gripping areas on the body of the mobile products and the cable grip.

6.2 Surface mounting sockets



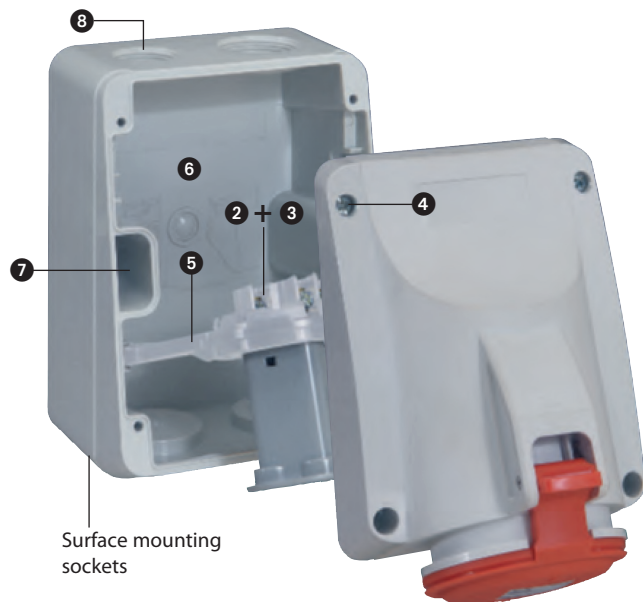
1 - 2 MOUNTING POSITIONS

To solve the problem of limited space, the surface mounting sockets offer 2 different mounting positions (5° or 25°) which allow users to adapt to the space available without changing the box.

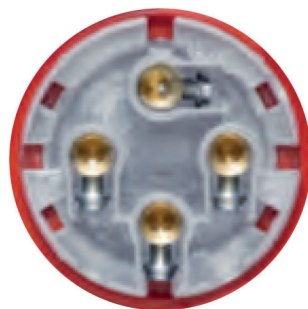
**Plugs, mobile sockets,
panel mounting sockets,
surface mounting sockets,
P17 Tempra Pro IP44 and low voltage 66/67**

Catalogue number(s): 5 551 01/02/04/05/06/07/08/09/10/12/13/21/
22/24/25/ 26/27/28/29/30/32/33/51/52/54/55/
56/57/58/59/60/62/63/81/84/85/86/88/89/90/
92/93 - 5 552 11/14/15/16/17/18/19/20/22/23/
31/34/35/36/37/38/39/40/42/43/51/54/55/56/
57/58/59/60/62/63/81/84/85/86/88/89/90/92/
93 - 5 553 01/04/05/06/08/09/12/21/24/25/26/
28/29/32/51/54/55/56/58/59/62/81/84/85/86/
88/89/92 - 5 554 14/15/16/18/19/21/22/31/34/
35/36/38/39/41/42/43/51/54/55/56/58/59/62/
63/81/84/85/86/88/89/91/92

6. INSTALLATION (CONTINUED)



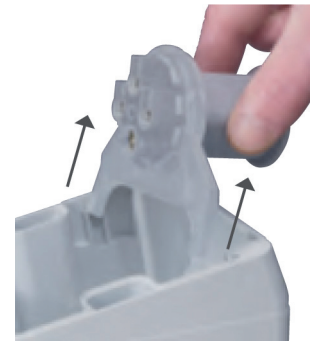
2 - CABLE STRIPPING
Marking allows the user to quickly see the length of the cable to be stripped.
Option of using cables with glands.



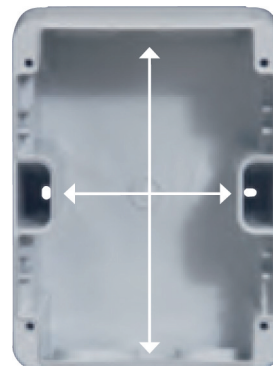
3 - JUST ONE SCREW PER TERMINAL
A single captive mixed head PZ 2 screw, via connection terminal. Same type of screw for both ratings, 16 and 32A.



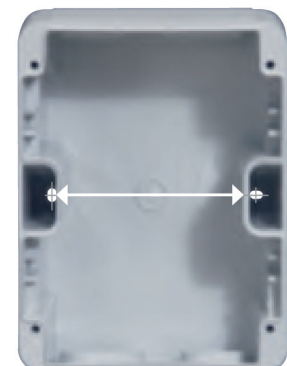
4 - QUICK COVER FIXING
Stainless steel captive screws with mixed head for PZ2 or flat screwdriver, tightening torque between 1.6 Nm and 1.8 Nm for a good seal and corrosion resistance.



5 - EASY REMOVAL
The active parts of the product can be removed from the base for easier wiring and changing the socket angle.



6 - EASY WIRING
Optimum wiring area for easier connections.

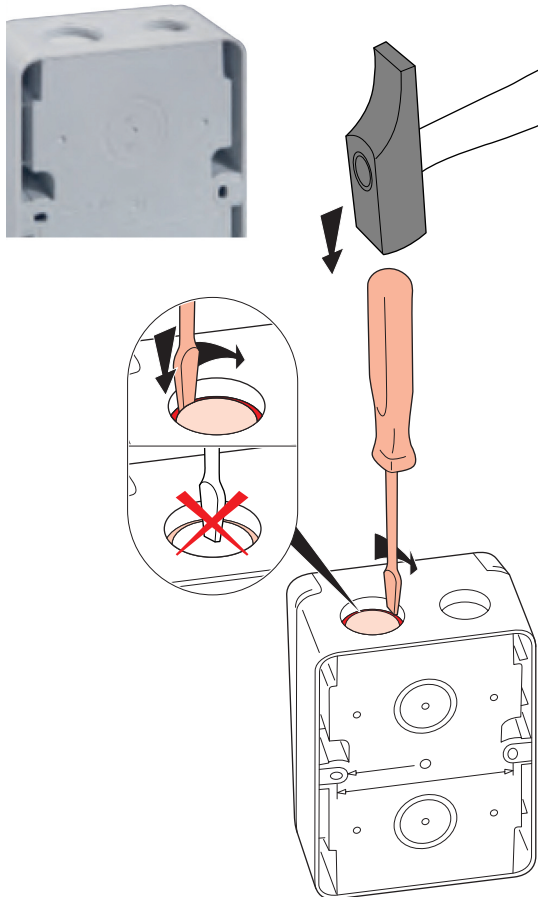


7 - EASY MAINTENANCE
Fixing centres that are identical to the old range (70 mm) for the 16A rating and marking in the base of the box for the 32A rating.

**Plugs, mobile sockets,
panel mounting sockets,
surface mounting sockets,
P17 Tempra Pro IP44 and low voltage 66/67**

Catalogue number(s): 5 551 01/02/04/05/06/07/08/09/10/12/13/21/
22/24/25/ 26/27/28/29/30/32/33/51/52/54/55/
56/57/58/59/60/62/63/81/84/85/86/88/89/90/
92/93 - 5 552 11/14/15/16/17/18/19/20/22/23/
31/34/35/36/37/38/39/40/42/43/51/54/55/56/
57/58/59/60/62/63/81/84/85/86/88/89/90/92/
93 - 5 553 01/04/05/06/08/09/12/21/24/25/26/
28/29/32/51/54/55/56/58/59/62/81/84/85/86/
88/89/92 - 5 554 14/15/16/18/19/21/22/31/34/
35/36/38/39/41/42/43/51/54/55/56/58/59/62/
63/81/84/85/86/88/89/91/92

6. INSTALLATION (CONTINUED)



8 - CABLE ENTRY POINTS

4 threaded and sealed cable entries at the top and the bottom and marking at the back of the box for ISO cable glands or trunking.



9 - OPENING LEVER

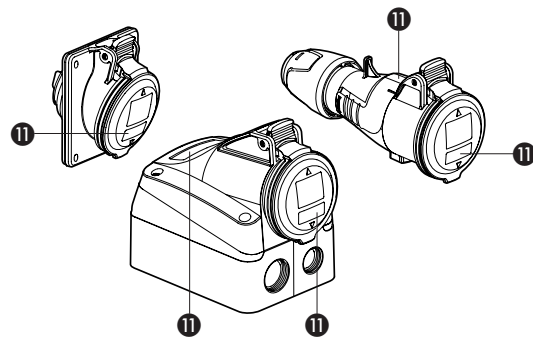
For easier connections/disconnections. Cover held open on panel sockets and surface mounting sockets.

6. INSTALLATION (CONTINUED)



10 - POSITION MARKS

Information engraved on the ring cover of IP66/67 products means the user can quickly check whether it is in the open or closed position. Marking area on the socket flap cover or on the plug skirt for easy identification by the user.



11 - Marking/identification area

7. CONNECTION

7.1 Connection capacity

Connection cross-section for pilot wire

| Type | Intensity | Size of conductors (mm ≤) | Size of conductors |
|---|-----------|---------------------------|--------------------|
| Surface mounting socket and panel mounting socket | 16A | 1.5 to 4 | Rigid |
| | 16A | 1 to 2.5 | Rigid |
| Mobile plugs and sockets | 32A | 2.5 to 6 | Flexible |
| | 32A | 2.5 to 10 | Flexible |

7.2 Tightening torque of connection terminal screws

- 16A LV: 0.8 to 1.2 Nm
- 32A LV: 1.2 to 1.5 Nm

**Plugs, mobile sockets,
panel mounting sockets,
surface mounting sockets,
P17 Tempra Pro IP44 and low voltage 66/67**

Catalogue number(s): 5 551 01/02/04/05/06/07/08/09/10/12/13/21/
22/24/25/ 26/27/28/29/30/32/33/51/52/54/55/
56/57/58/59/60/62/63/81/84/85/86/88/89/90/
92/93 - 5 552 11/14/15/16/17/18/19/20/22/23/
31/34/35/36/37/38/39/40/42/43/51/54/55/56/
57/58/59/60/62/63/81/84/85/86/88/89/90/92/
93 - 5 553 01/04/05/06/08/09/12/21/24/25/26/
28/29/32/51/54/55/56/58/59/62/81/84/85/86/
88/89/92 - 5 554 14/15/16/18/19/21/22/31/34/
35/36/38/39/41/42/43/51/54/55/56/58/59/62/
63/81/84/85/86/88/89/91/92

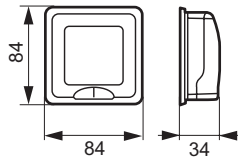
8. STANDARDS & REGULATIONS

- IEC 60309-1 and EN 60309-1 (design rules)
- IEC 60309-2 and EN 60309-2 (interchangeability requirements)
- IEC 60529 and NF EN 60529 (IP)
- IEC 62262 and NF EN 62262 (IK)
- Decree of 14/11/88 (safety of workers)
- Directive 2002/95/CE (ROHS)

9. ACCESSORIES

IP 55 adaptor base for Mosaic 2-module mechanisms (except special surface mounting type).

Cat. No.: 0 539 48



IEC pin / domestic pin (NFC) adaptor

Example of an adaptor



Allows a 16A 2P+E 250V NFC plug to be connected to a 16A 2P+E 200/250V socket outlet with IEC pin configuration

- 0 521 00: NFC pin
- 0 521 01: British standard pin
- 0 521 02: German standard pin
- 0 521 03: NFC pin (with flap cover)
- 0 521 05: empty for MOSAIC 2-module mechanisms

Flush-mounting boxes for masonry IP55

Allows the socket outlet(s) to be installed to standard fixing centres (70 x 70), or to domestic sockets 0 576 71/72.

0 577 21 for 2 16A sockets



0 577 22 for 1 16 or 32A socket



32A socket to be installed horizontally (see user manual)