

## plugs & sockets - P17 Tempra

16 to 32 A







LV														
			Surface mounting sockets		Panel mounting sockets - inclined		Panel mounting sockets straight		Mobile sockets		Straight Plugs		Angled Plugs	
			IP 44		IP 44		IP 44		IP 44		IP 44		IP 44	
			Cat nos.	Pack	Cat nos.	Pack	Cat nos.	Pack	Cat nos.	Pack	Cat nos.	Pack	Cat nos.	Pack
200 to 250 V ~ 50/60 Hz	16 A / 20 A	2 P + ⊕	0555 53	10	0576 11	5/50	0573 54	5/50	0575 14	10	0574 34	10	0564 53	5/50
	32 A	2 P + ⊕	0555 73	10	0576 12	5/25	0580 54	5/25	0582 14	10	0581 34	10	0564 73	5/50
380 to 415 V ~ 50/60 Hz	16 A / 20 A	3 P + ⊕	0555 57	10	0576 17	5/25	0573 58	5/50	0575 18	10	0574 38	10	0564 57	5/50
		3 P + N + ⊕	0555 58	10	0576 23	5/50	0573 59	5/50	0575 19	10	0574 39	10	0564 58	5/50
	32 A	3 P + ⊕	0555 77	10	0576 18	5/25	0580 58	5/50	0582 18	10	0581 38	10	0564 77	5/50
		3 P + N + ⊕	0555 78	10	0576 24	5/25	0580 59	5/25	0582 19	10	0581 39	10	0564 78	5/50

◇ - With isometric threaded cable entries : 16 A = M 20, 32 A = M 25, 63 A = M 32.

\* In IEC 38, the network voltage value of 230/400 V AC has been standardised. This value should progressively supercede the values of 220/380 V AC and 240/415 V AC. Wherever there is a reference to 230 V or 400 V, they may be read as 220 V or 240 V and 380 V or 415 V respectively.

## plugs & sockets - interlocked switched sockets

16 to 63 A

LV														
			Surface mounting				Surface mounting				Surface mounting without protection			
			Without protection 125 X 220 mm				With din rail 125 X 280 mm				Panel mounting 125 x 220 mm			
			IP 44		IP 55		IP 44		IP 66		IP 55			
Cat nos.	Pack	Cat nos.	Pack	Cat nos.	Pack	Cat nos.	Pack	Cat nos.	Pack	Cat nos.	Pack			
200 to 250 V ~ 50 Hz	16 A / 20 A	2 P + ⊕	0566 01	1	0566 21	1	0566 41	1	0566 61	1	0572 21	1		
	32 A	2 P + ⊕	0566 09	1	0566 29	1	0566 49	1	0566 69	1	0572 29	1		
380 to 415 V ~ 50 Hz	32 A	3 P + ⊕	0566 13	1	0566 33	1	0566 53	1	0566 73	1	0572 33	1		
		3 P + N + ⊕	0566 14	1	0566 34	1	0566 54	1	0566 74	1	0572 34	1		
380 to 415 V ~ 50/60 Hz	63 A	3 P + ⊕												
			125 x 421 mm		125 x 501 mm									
		IP 66		IP 66										
		Cat nos.	Pack	Cat nos.	Pack									
		3 P + N + ⊕	0572 98	1	0589 18	1								
		3 P + N + ⊕	0589 10	1	0572 99	1								

**Bold catalogue numbers** are products normally available with Legrand (India) stockists.

**Cat. nos. that are not bold** - delivery within 4 - 8 weeks from the date of order.

**Bold packing quantity** is our mandatory packing. Orders to be placed by Legrand (India) stockists in multiples of the same.

# P17 Tempra Pro IP 44 - LV 16 and 32 A

## Characteristics

Terminal connection:

• Panel and surface mounting sockets

16 A: max. 1 x 4 mm<sup>2</sup> rigid

32 A: max. 1 x 10 mm<sup>2</sup> rigid

• Appliance inlets:

16 A: max. 1 x 2.5 mm<sup>2</sup> rigid

32 A: max. 1 x 6 mm<sup>2</sup> rigid

• Plugs and mobile sockets:

16 A: max. 1 x 2.5 mm<sup>2</sup> flexible

32 A: max. 1 x 6 mm<sup>2</sup> flexible

IP 44 according to IEC and EN 60529

IK 08 according to EN 50102 for interlocked switched sockets with small flange

IK 09 according to IEC 62262 and EN 62262

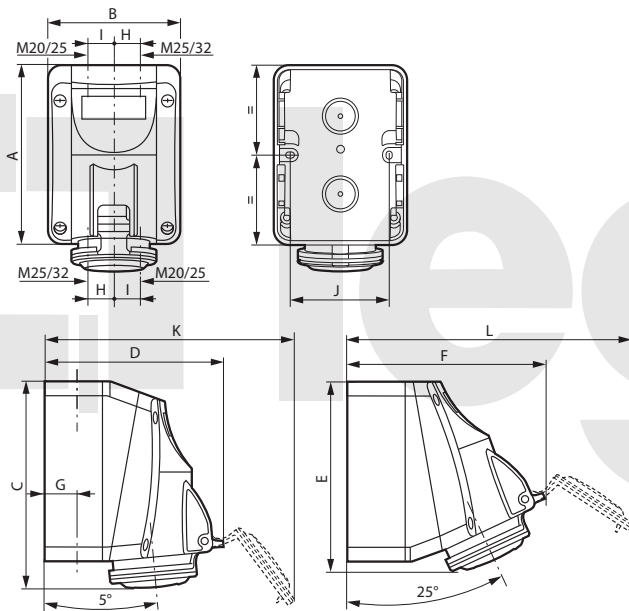
Material: polyamide 6

Self-extinguishing: 850 °C (support of active parts) / 650 °C (plastic housing)

- 25 °C to + 40 °C according to IEC 60309-1

## Dimensions

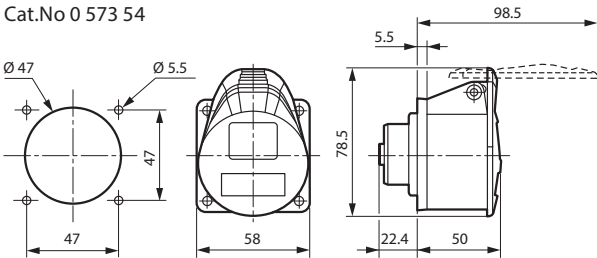
### Surface mounting sockets



	A	B	C	D	E	F	G	H	I	J	K	L
<b>LV 16 A</b>												
2P+E	125	93	147	126	138	139	22	17	20	70	176	195
3P+E	125	93	147	134	138	147	22	17	20	70	190	210
3P+N+E	125	93	147	140	138	153	22	17	20	70	201	221
<b>LV 32 A</b>												
2P+E	150	113	174	156	163	172	28	22	26	90	220	245
3P+E	150	113	174	156	163	172	28	22	26	90	220	245
3P+N+E	150	113	174	162	163	177	28	22	26	90	230	256

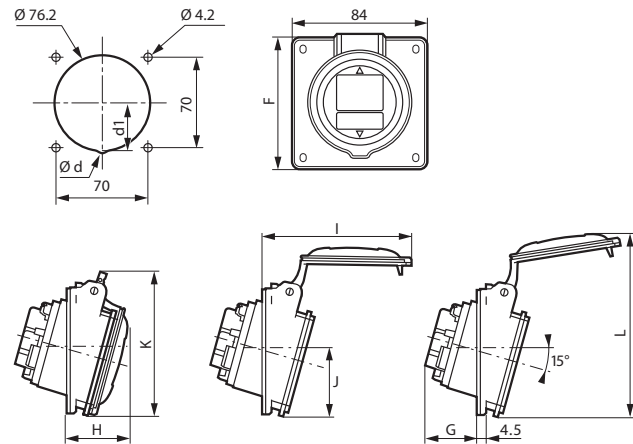
### Panel mounting socket straight outlet small flange

Cat.No 0 573 54



Weight (kg) = 0.105

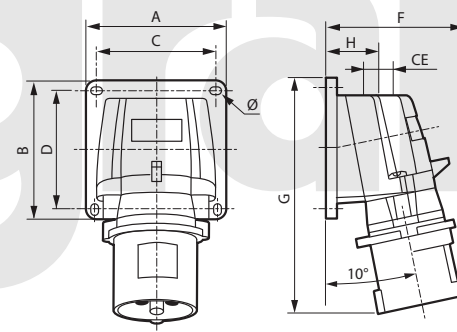
### Panel mounting sockets inclined outlet



	Ød	d1	F	G	H	I	J	K	L
<b>LV 16 A</b>									
2P+E	-	-	84	33.5	37.5	85	42	88.5	112.5
3P+E	-	-	84	35.5	38.5	93	42	91.5	118.5
3P+N+E	-	-	84	36.5	39.5	100	43.3	97	123.5
<b>LV 32 A</b>									
2P+E	-	-	94	41.5	45.5	110	47	102	131
3P+E	-	-	94	42.5	46.5	117	47	107.5	138

### Appliance inlets

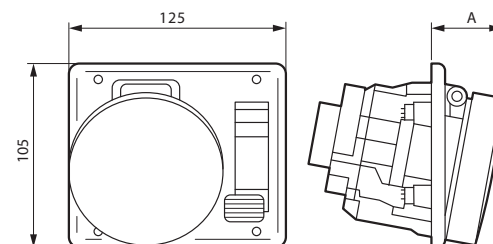
Cat.Nos 0 575 84/88/89 and 0 582 84/88/89



	Weight (kg)	A	B	C	D	F	G	H	CE	Ø
<b>LV 16 A</b>										
2P+E	0.168	84	84	72	72	77	126	34	M20	4.3
3P+E	0.232	84	84	72	72	84	134	34	M20	4.3
3P+N+E	0.256	84	84	72	72	91	141	34	M20	4.3
<b>LV 32 A</b>										
2P+E	0.325	110	110	98	98	96	168	39	M25	5.3
3P+E	0.364	110	110	98	98	102	168	39	M25	5.3

### Interlocked switched sockets with small flange

Cat.Nos 0 573 00/01/02 and 0 573 20/21/22

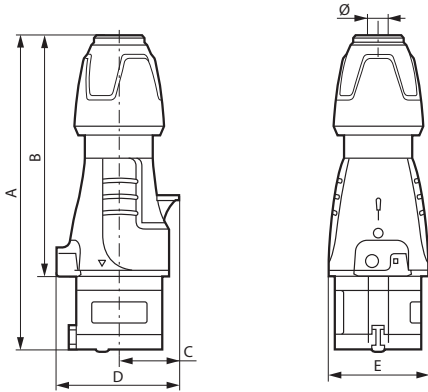


	16 A	IP	A	IP	A
2P+E	44	38	55	45	
3P+E	44	38	55	45	
3P+N+E	44	38	55	45	

## P17 Tempra Pro IP 44 - LV 16 and 32 A mobile products

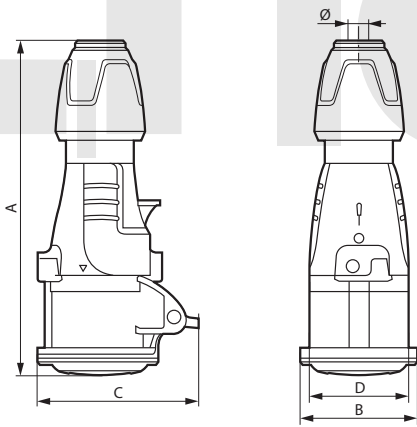
## P17 Tempra domestic pin configuration 16 A - 250 VA

### Dimensions Straight plugs



	A	B	C	D	E	Ø
<b>LV 16 A</b>						
2P+E	146 to 157	109.5 to 120.5	30	61	50	6.5 to 14
3P+E	146 to 157	109.5 to 120.5	34	67	55	7.10 to 15.5
3P+N+E	163 to 176	126.5 to 139.5	38	76	65	8 to 20
<b>LV 32 A</b>						
2P+E	172 to 185	127 to 140	40	78	65	8 to 20
3P+E	172 to 185	127 to 140	40	78	65	8 to 20
3P+N+E	179 to 189	133 to 143	45	86	71	11.9 to 22.2

### Mobile sockets

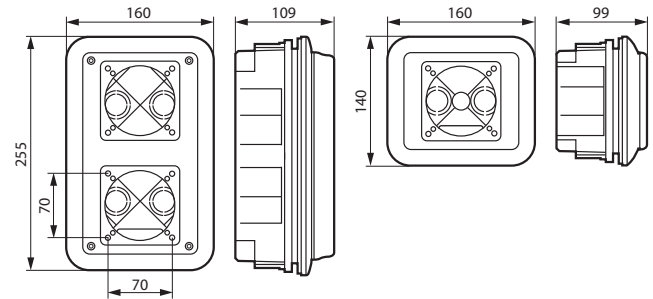


	A	B	C	D	Ø
<b>LV 16 A</b>					
2P+E	156 to 167	59	81	50	6.5 to 14
3P+E	157 to 168	65	88	55	7.10 to 15.5
3P+N+E	175 to 188	72	94	65	8 to 20
<b>LV 32 A</b>					
2P+E	184 to 197	73	99	65	8 to 20
3P+E	184 to 197	73.5	99	65	8 to 20
3P+N+E	190 to 203	79.5	105	71	11.9 to 22.2

### Dimensions Flush mounting boxes

Cat.No 0 577 21

Cat.No 0 577 22



legrand

# P17 Tempra IP 44 - ELV 16 and 32 A

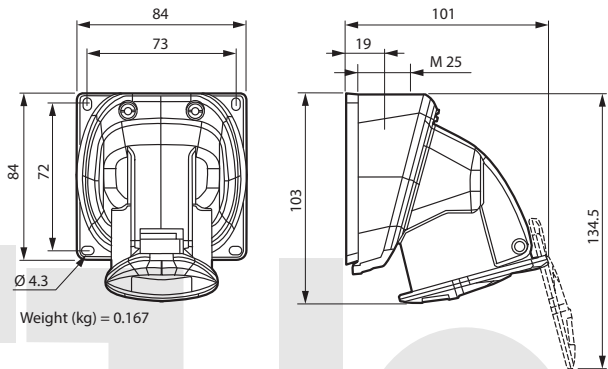
## Characteristics

Terminal connection:  
 Max.  $1 \times 10 \text{ mm}^2$  (rigid for fixed products flexible for mobile products)  
 IP 44 according to IEC 60529 and EN 60529  
 IK 09 according to IEC 62262 and EN 62262  
 Material: plastic  
 Self-extinguishing: 850 °C (support of active parts) / 650 °C (plastic housing)  
 Temp. rating: - 25 °C to + 40 °C  
 Conform to IEC 60309-1 / IEC 60309-2 and EN 60309-1 / EN 60309-2

## Dimensions

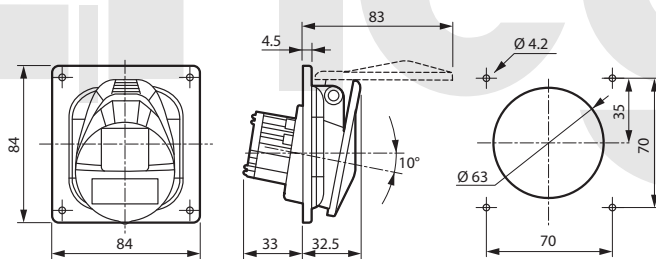
### Surface mounting sockets

Cat.Nos 0 552 06/56



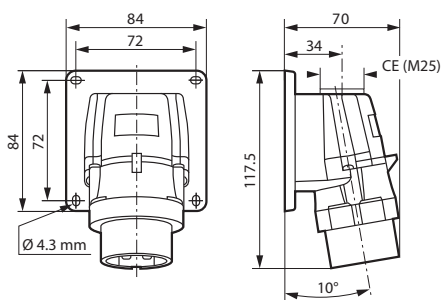
### Panel mounting sockets

Cat.Nos 0 552 45/95



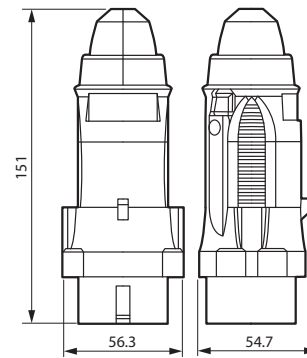
### Appliance inlets

Cat.Nos 0 552 41/91



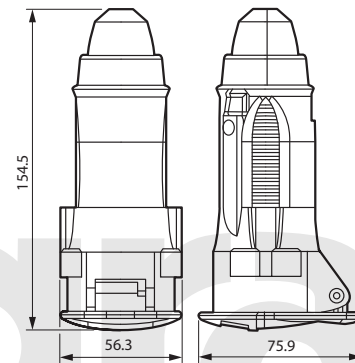
## Dimensions ELV 16 and 32 A

### Straight plugs



Weight (kg) = 0.132

### Mobile sockets



Weight (kg) = 0.16



## Characteristics

Terminal connection:

• Panel and surface mounting sockets

16 A: max. 1 x 4 mm<sup>2</sup> rigid - 32 A: max. 1 x 10 mm<sup>2</sup> rigid

• Plugs, mobile sockets:

16 A: max. 1 x 2,5 mm<sup>2</sup> flexible - 32 A: max. 1 x 6 mm<sup>2</sup> flexible

• Appliance inlets:

16 A: max. 1 x 2.5 mm<sup>2</sup> rigid - 32 A: max. 1 x 6 mm<sup>2</sup> rigid

IP 66/67 according to IEC 60529 and EN 60529

IK 09 according to IEC 62262 and EN 62262

Material: polyamide 6

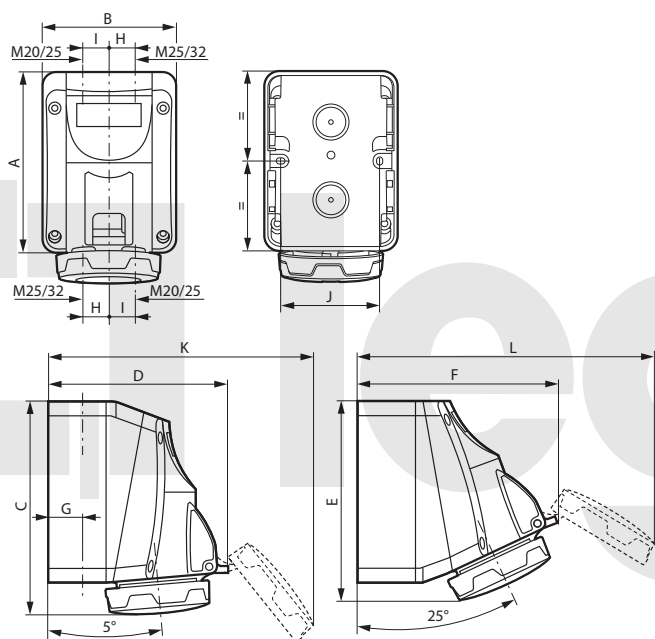
Self-extinguishing: 850 °C (support of active parts) / 650 °C (plastic housing)

Temp. rating: - 25 °C to + 40 °C

Conform to IEC 60309-1 and IEC 60309-2

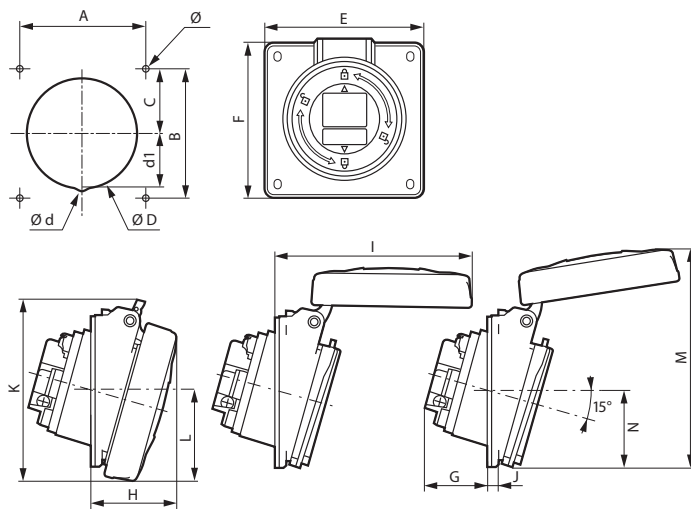
## Dimensions

### Surface mounting sockets



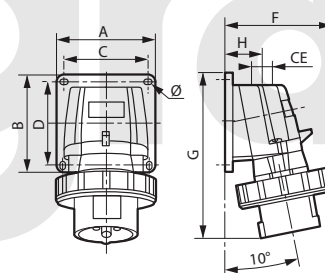
	A	B	C	D	E	F	G	H	I	J	K	L
<b>LV 16 A</b>												
2P+E	125	93	144	125	131	137	22	17	20	70	178	200
3P+E	125	93	144	133	131	145	22	17	20	70	194	215
3P+N+E	125	93	144	139	131	150	22	17	20	70	205	227
<b>LV 32 A</b>												
2P+E	150	113	171	155	156	170	28	22	26	90	224	250
3P+E	150	113	171	161	156	175	28	22	26	90	231	260

### Panel mounting sockets



	Dimensions (mm)																
	A	B	C	ØD	Ød	d1	E	F	G	H	I	J	K	L	M	N	Ø
<b>LV 16 A</b>																	
2P+E	70	70	35	76.2	-	-	84	84	33.5	42	94	4.5	88	42.5	114	42	4.2
3P+E	70	70	35	76.2	-	-	84	84	35.5	43	101	4.5	94.5	46	118	42	4.2
3P+N+E	70	70	35	76.2	-	-	84	84	36.5	44	108.5	4.5	101	50	123	42.5	4.2
<b>LV 32 A</b>																	
2P+E/ 3P+E	70	70	35	76.2	-	-	84	94	41.5	50.5	118	4.5	105.5	54.5	129.5	47.5	4.2
3P+N+E	70	70	35	76.2	8	36	84	94	42.5	51.5	124.5	4.5	112	57.5	137	51	4.2

### Appliance inlets



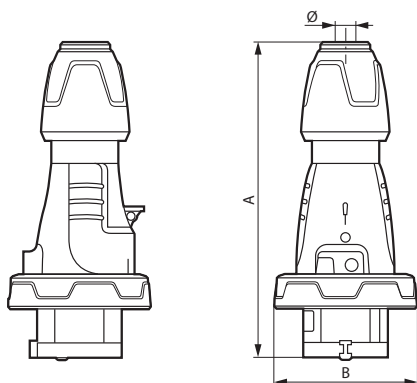
	Weight (kg)	A/B	C/D	F	G	H	CE	Ø
<b>LV 16 A</b>								
2P+E	0.188	84	72	87	126	34	M 20	4.3
3P+E	0.257	84	72	95	134	34	M 20	4.3
3P+N+E	0.297	84	72	100	141	34	M 20	4.3
<b>LV 32 A</b>								
2P+E	0.370	110	98	107	168	39	M 25	5.3
3P+E	0.413	110	98	113	168	39	M 25	5.3

# P17 Tempra Pro IP 66/67 LV 16 and 32 A - mobile products



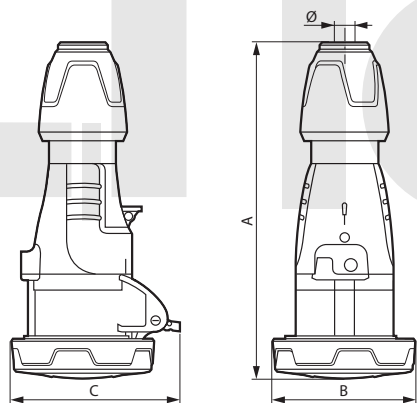
# P17 Tempra IP 66/67 - LV 63 A

## Dimensions Straight plugs



	A	B	Ø
<b>LV 16 A</b>			
2P+E	146 to 157	72.5	6.5 to 14
3P+E	146 to 157	80.5	7.1 to 15.5
3P+N+E	163 to 176	89	8 to 20
<b>LV 32 A</b>			
2P+E	172 to 185	93	8 to 20
3P+E	172 to 185	93	8 to 20
3P+N+E	179 to 189	100	1.9 to 22.2

## Mobile sockets



	A	B	C	Ø
<b>LV 16 A</b>				
2P+E	159 to 170	72.5	86	6.5 to 14
3P+E	159 to 170	80.5	93	7.1 to 15.5
3P+N+E	179 to 190	89	100	8 to 20
<b>LV 32 A</b>				
2P+E	187 to 200	93	104	8 to 20
3P+E	187 to 200	93	104	8 to 20
3P+N+E	192 to 205	100	110.5	1.9 to 22.2

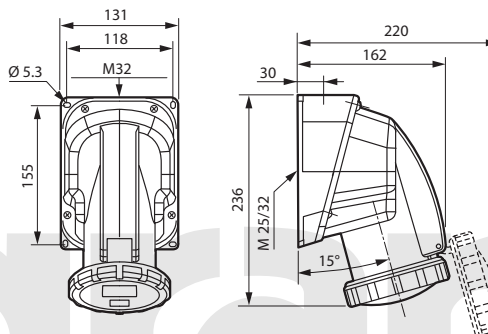
## Characteristics

Terminal connection:  
 • Panel and surface mounting sockets  
 63 A: max. 1 x 25 mm<sup>2</sup> rigid - 125 A: max. 1 x 70 mm<sup>2</sup> rigid  
 • Appliance inlets:  
 63 A: max. 1 x 16 mm<sup>2</sup> rigid - 125 A: max. 1 x 50 mm<sup>2</sup> rigid  
 • Plugs and mobile sockets:  
 63 A: max. 1 x 16 mm<sup>2</sup> flexible - 125 A: max. 1 x 50 mm<sup>2</sup> flexible  
 IP 66/67 according to IEC 60529 and EN 60529  
 IK 09 according to IEC 62262 and EN 62262  
 Material: plastic  
 Self-extinguishing: 850 °C (support of active parts) / 650 °C (plastic housing)  
 Temp. rating: - 25 °C to + 40 °C. Conform to IEC 60309-1 and IEC 60309-2

## Dimensions

### Surface mounting sockets

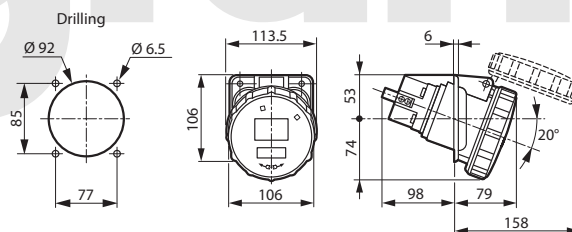
Cat.Nos 0 587 40/44/45



	Weight (kg)
3P+E	0.900
3P+N+E	0.950

### Panel mounting sockets (inclined outlet)

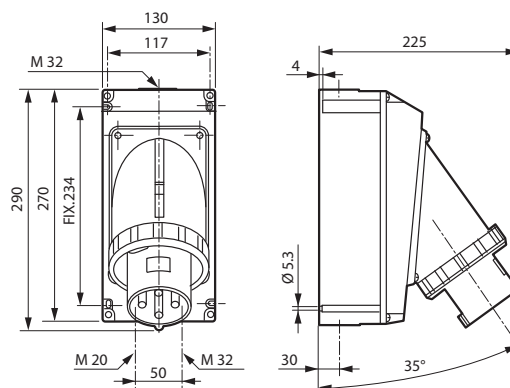
Cat.Nos 0 587 20/24/25



	Weight (kg)
3P+E	0.710
3P+N+E	0.770

### Appliance inlets

Cat.Nos 0 587 30/34/35



	Weight (kg)
3P+E	1.540
3P+N+E	1.610

## P17 Tempra IP 66/67 - LV 125 A

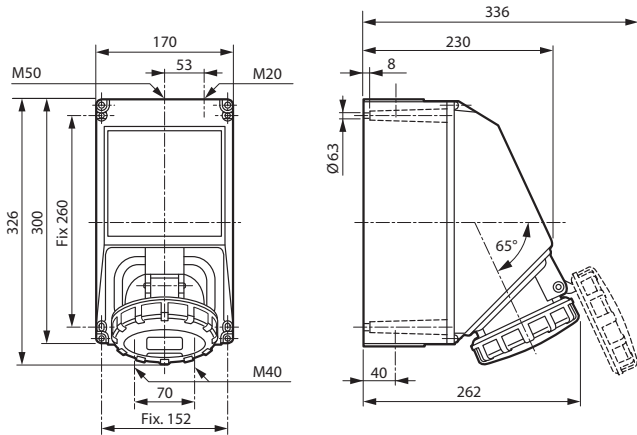
## P17 Tempra IP 66/67 - LV 63 and 125 A

mobile products

### Dimensions

#### Surface mounting sockets

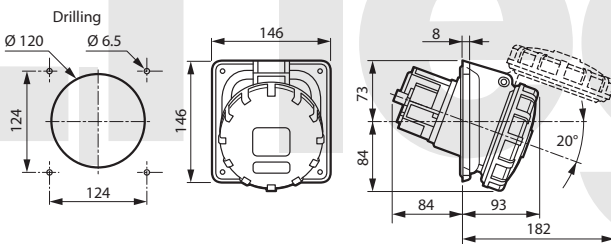
Cat.Nos 0 591 06/07



	Weight (kg)
3P+E	2.600
3P+N+E	2.730

#### Surface mounting sockets

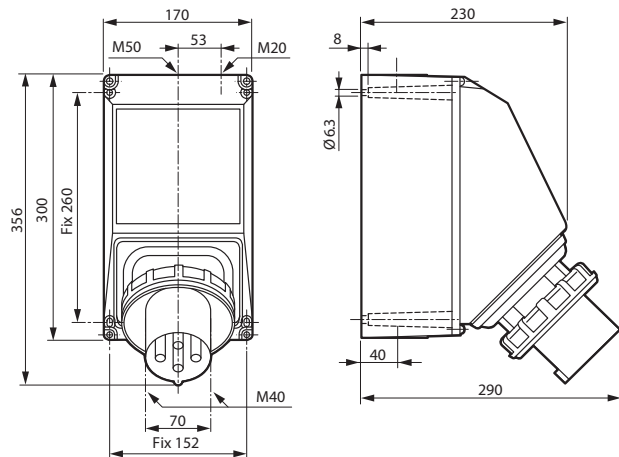
Cat.Nos 0 591 16/17



	Weight (kg)
3P+E	1.000
3P+N+E	1.200

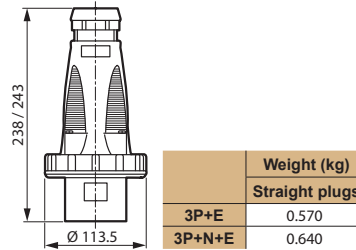
#### Appliance inlets

Cat.Nos 0 591 46/47



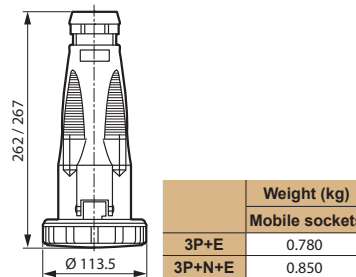
### Dimensions LV 63 A

#### Straight plugs



	Weight (kg)
<b>Straight plugs</b>	
3P+E	0.570
3P+N+E	0.640

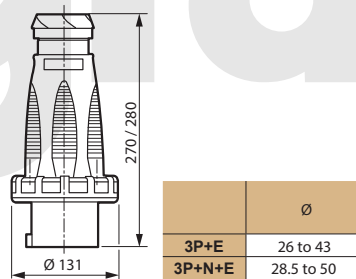
#### Mobile sockets



	Weight (kg)
<b>Mobile sockets</b>	
3P+E	0.780
3P+N+E	0.850

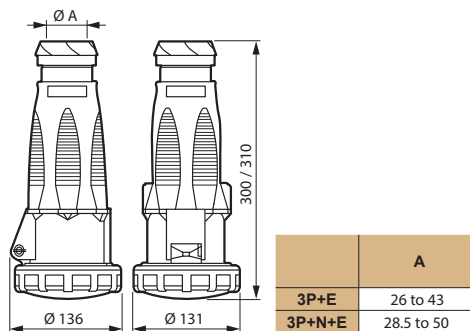
### Dimensions LV 125 A

#### Straight plugs



	$\varnothing$
3P+E	26 to 43
3P+N+E	28.5 to 50

#### Mobile sockets



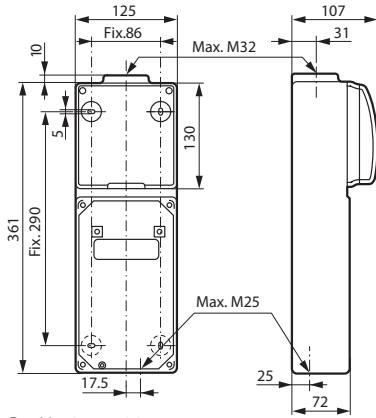
	A
3P+E	26 to 43
3P+N+E	28.5 to 50

**Dimensions**

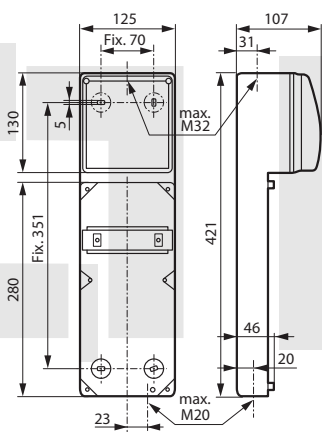
Cable glands are not supplied  
Entries to drill

**Bases**

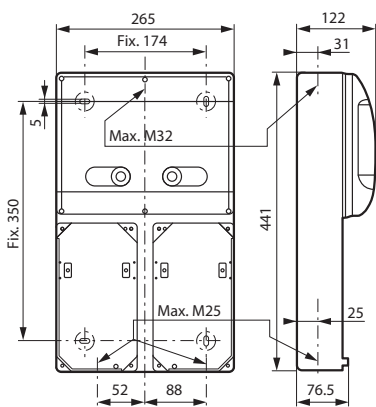
Cat.No 0 589 38



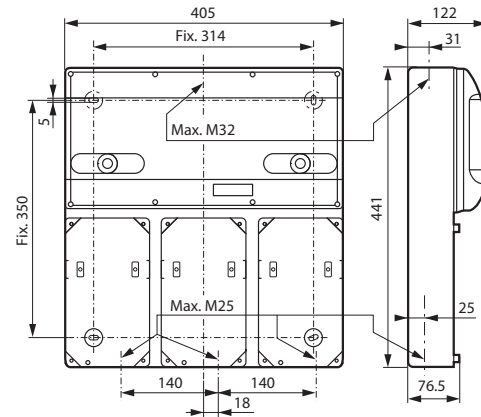
Cat.No 0 577 20



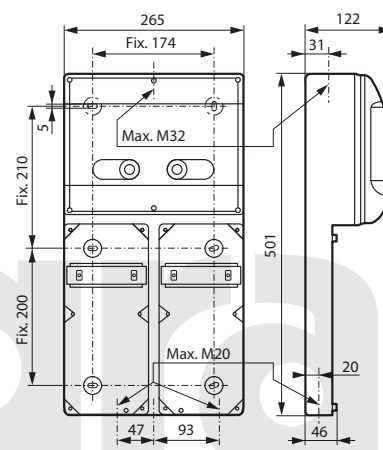
Cat.No 0 577 05



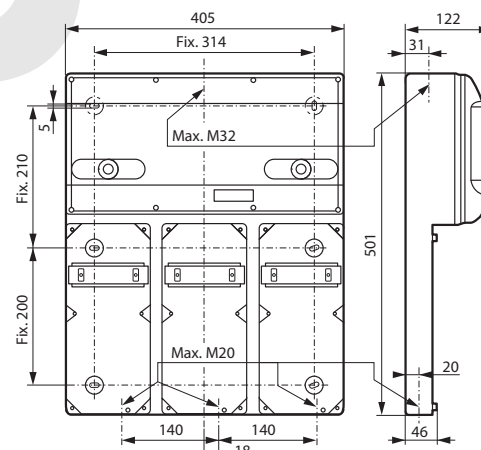
Cat.No 0 577 06



Cat.No 0 577 03

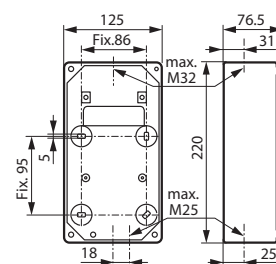


Cat.No 0 577 04

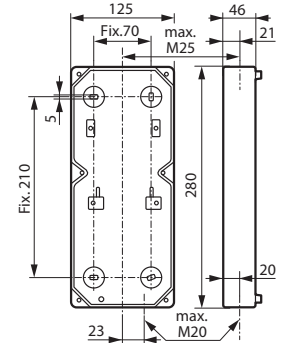


**Surface mounting boxes**

Cat.No 0 577 10



Cat.No 0 577 11



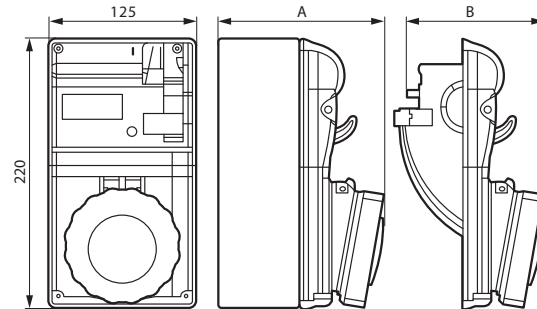
## P17 Tempra combined units LV 16 to 63 A interlocked switched sockets

16-32 A		without rail		with empty Din rail						
<ul style="list-style-type: none"> <li>• IP 44, IP 55, IP 66 according to IEC 60529 and EN 60529</li> <li>• IK 08 according to IEC 62262</li> <li>• Conform to IEC 60439-1</li> <li>• Supplied without cable glands</li> <li>• Self-extinguishing: 650 °C</li> </ul>		125 x 220 mm		125 x 280 mm						
		IP 44		IP 55		IP 44		IP 66		
		Pack	Cat.Nos	Pack	Cat.Nos	Pack	Cat.Nos	Pack	Cat.Nos	
200 to 250 V $\pm$ 50/60 Hz	16 A	2P+E	1	0 566 01	1	0 566 21	1	0 566 41	1	0 566 61
	32 A	2P+E	1	0 566 09	1	0 566 29	1	0 566 49	1	0 566 69
380 to 415 V $\pm$ 50/60 Hz	16 A	3P+E	1	0 566 05	1	0 566 25	1	0 566 45	1	0 566 65
		3P+N+E	1	0 566 06	1	0 566 26	1	0 566 46	1	0 566 66
	32 A	3P+E	1	0 566 13	1	0 566 33	1	0 566 53	1	0 566 73
		3P+N+E	1	0 566 14	1	0 566 34	1	0 566 54	1	0 566 74
63 A		without rail		with empty Din rail						
<ul style="list-style-type: none"> <li>• IP 66 according to IEC 60529 and EN 60529</li> <li>• IK 08 according to IEC 62262</li> <li>• Conform to IEC 60439-1</li> <li>• Supplied without cable glands</li> <li>• Self-extinguishing: 650 °C</li> </ul>		IP 66		IP 66						
		Pack	Cat.Nos	Pack	Cat.Nos	Pack	Cat.Nos	Pack	Cat.Nos	
		380 to 415 V $\pm$ 50/60 Hz	63 A	3P+E	1	0 572 98	1	0 589 18	1	0 572 99
3P+N+E	1			0 589 10	1	0 572 99	1	0 589 18	1	0 572 99

## P17 Tempra combined units LV 16 to 63 A interlocked switched sockets

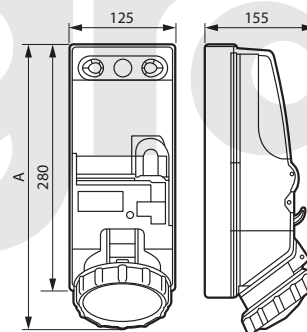
### ■ Dimensions

#### Without rail LV 16/32 A



	IP 44 Cat.Nos	Dimensions (mm)		IP 55 Cat.Nos	Dimensions (mm)		
		A	B		A	B	
LV 16 A	2P+E	0 566 01	127	122	0 566 21	133	128
	3P+E	0 566 05	129	124	0 566 25	134	129
	3P+N+E	0 566 06	130	125	0 566 26	135	130
LV 32 A	2P+E	0 566 09	138	133	0 566 29	143	138
	3P+E	0 566 13	138	133	0 566 33	143	138
	3P+N+E	0 566 14	139	134	0 566 34	144	139

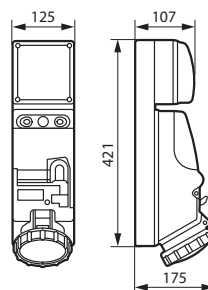
#### With empty Din rail LV 16/32 A



	A	
	IP 44	IP 66
LV 16 A	290	300
LV 32 A	295	310

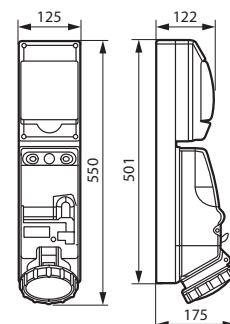
#### LV 63 A

Cat.Nos 0 572 98 and 0 589 10



#### LV 63 A

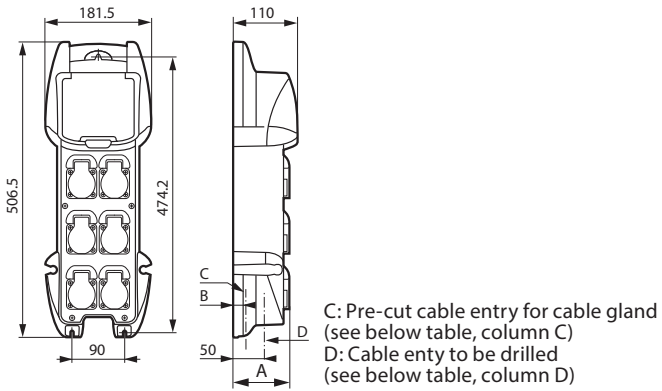
Cat.Nos 0 589 18 and 0 572 99



# P17 worksites combined units

## Dimensions of individual units

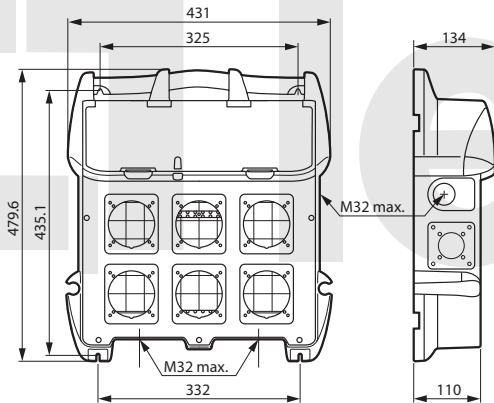
Cat.Nos 0 589 43/44/45



Cat.Nos	A	B	C	D
0 589 43	-	20	M20	max M20
0 589 44	96	20	M20	max M20
0 589 45	125	22.5	M25	-

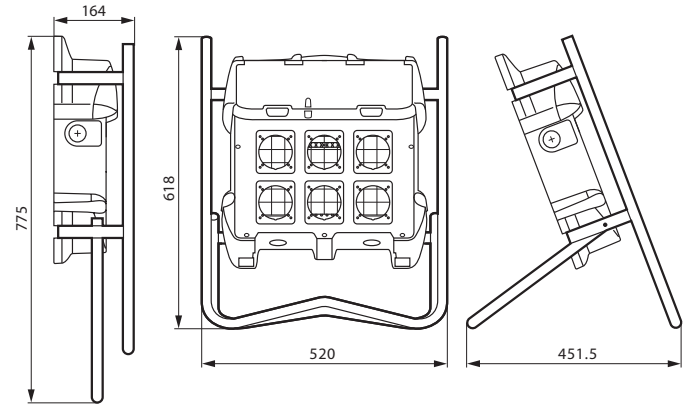
## Dimensions of floor cabinets

Cat.No 0 589 57



## Mounting on foldable frame

Cat.Nos 0 577 43 and 0 589 57





“The legrand group, a global specialist in electrical and digital building infrastructure has smart solutions for residential, commercial, hospitality and industrial sectors. Legrand in india has been the leader in protection business for the last four decades. It combines the latest technology to design electrical power distribution systems and guarantees efficient protection and effective service. With smart ideas, sleek designs and sheer simplicity, legrand keeps a close track of changing lifestyle and designs products with high value added content, thereby introducing the all new P17 Tempra Pro. ”



The P17 Tempra Pro range incorporates numerous benefits for optimum commissioning of installations and increased user safety. More than ever before, the new range is highly recommended for all sites involving specific constraints related to waterproofness, impact resistance or temperature conditions, both indoors and outdoors: shopping centres, hospitals, office buildings, food-processing facilities, industry, transportation, data centres, markets, etc.



IP 66/67  
mobile socket

# P17 TEMPRA PRO, always ensuring continuity of service

By updating its IP44 and IP 66/67 range of industrial sockets, Legrand is meeting the expectations of professional users. New benefits in terms of safety, implementation, design & ergonomics guarantee the longevity of this family of products, which has already proven itself over time.



## IP44

SOCKETS FOR INTERNAL AND EXTERNAL USE, PROTECTED AGAINST PROJECTIONS OF WATER (BUT NOT EXPOSED TO DIRECT JETS)



Straight plugs



Mobile sockets



Panel mounting sockets

A TRANSFORMED RANGE  
WHICH HARMONISES WITH  
THE LEGRAND INDUSTRIAL  
SOCKETS RANGE

- From 16 to 32 A
- 2 P+ E / 3 P+E / 3 P+N+E
- From 100 to 500 V A
- 50/60 Hz
- Screw connection





AIRPORTS, DATA CENTRES, HOTELS,  
ETC. P17 TEMPRA PRO IS IDEAL FOR  
ALL MAJOR PROJECTS

# IP66/67

WEATHERPROOF SOCKETS THAT CAN  
WITHSTAND TEMPORARY IMMERSION  
(RAIN, FLOODS, ETC)



Surface mounting  
sockets



Straight plugs



Mobile sockets



Panel mounting  
sockets

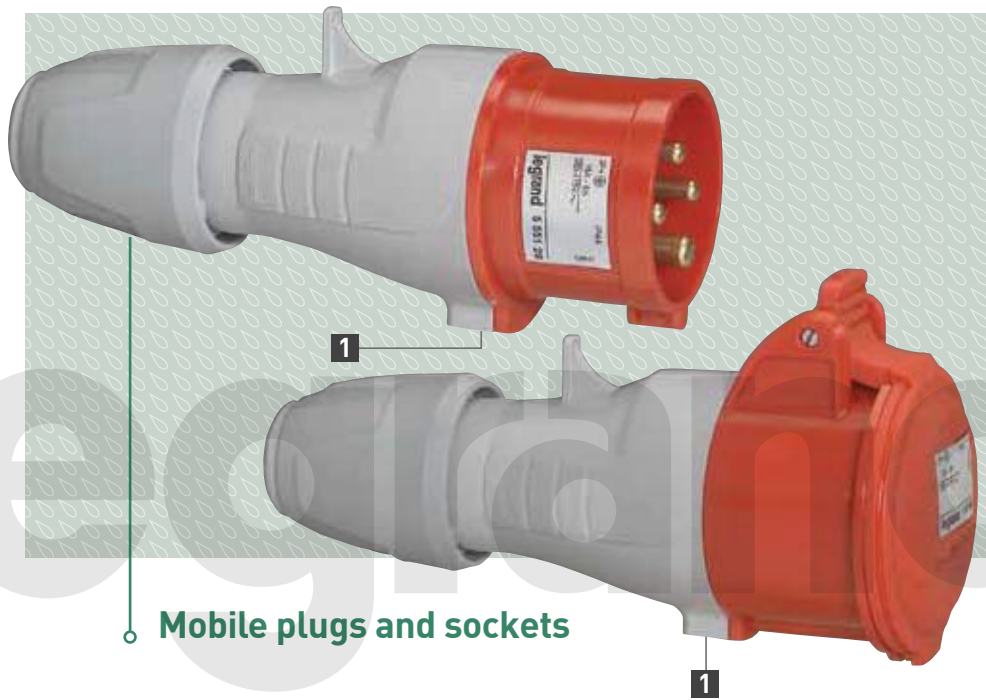


Surface mounting  
sockets

# P17 TEMPRA PRO,

## ensuring a quick installation

As competitiveness is key to success when working on a site, the P17 Tempra Pro range offers an array of essential and intuitive benefits aimed at simplifying every movement, freeing up wiring space and ensuring quick, accurate cable connection under optimum conditions.



Mobile plugs and sockets

MOBILE PRODUCTS  
ARE SUPPLIED  
ASSEMBLED AND  
UNLOCKED

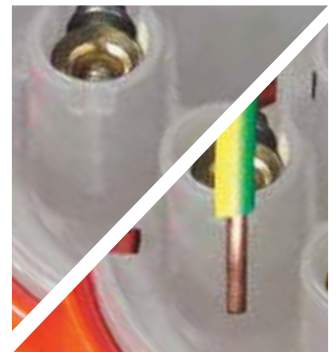


### 1 QUICK OPENING/CLOSING SYSTEM

Unlocked by pressing with a screwdriver. Marking indicates the location for the locking clip.

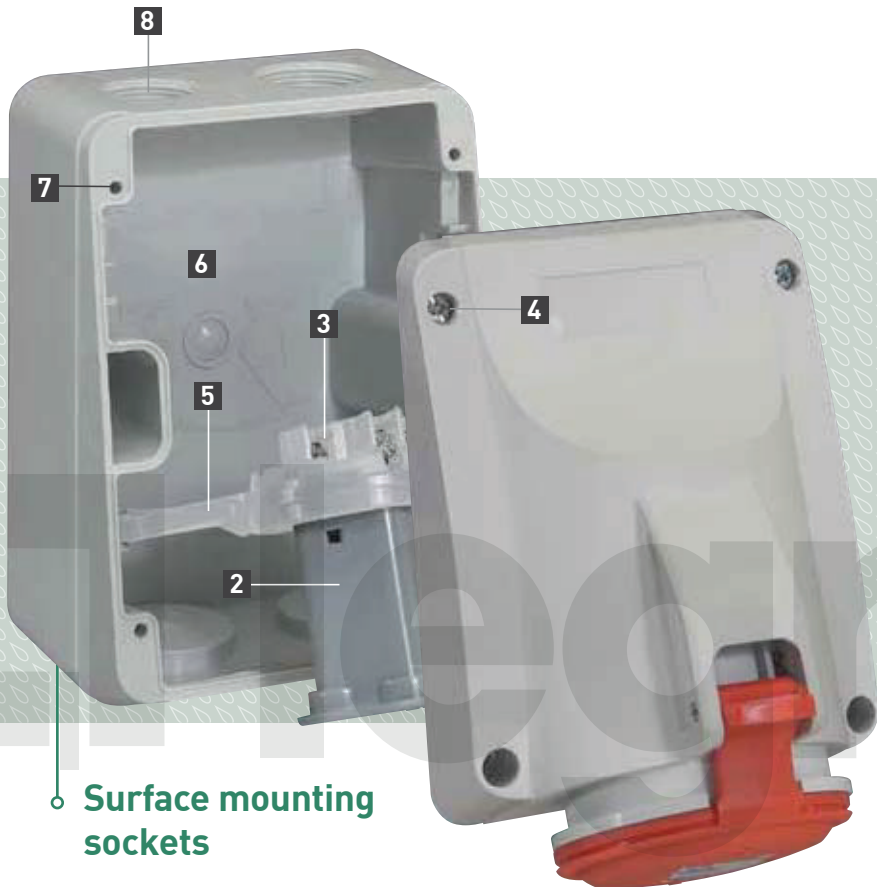


Opened by turning the 2 parts in opposite directions.



### 2 CABLE STRIPPING

Marking allows the user to see quickly the length of cable to be stripped. Option of using cables with ferrules.

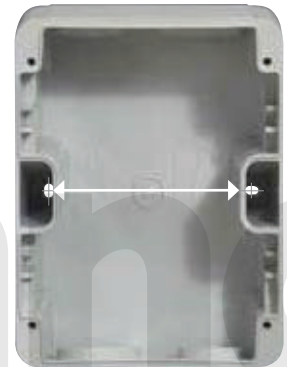


Surface mounting sockets



**8** CABLE ENTRIES

4 threaded and sealed cable entries at the top and the bottom and marking at the back of the box for ISO cable glands or conduits.



**7** EASIER MAINTENANCE

Fixing centres are identical to the old range (70 mm) for the 16 A sockets and marked at the back of the box for 32 A sockets.



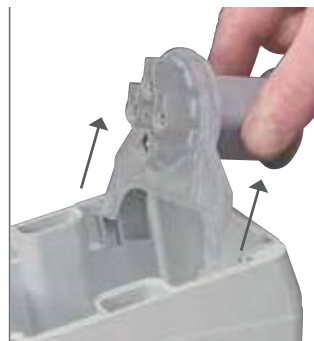
**3** JUST ONE SCREW PER TERMINAL

A single captive PZ 2 screw, per connection terminal. Same type of screw for both ratings, 16 and 32 A.



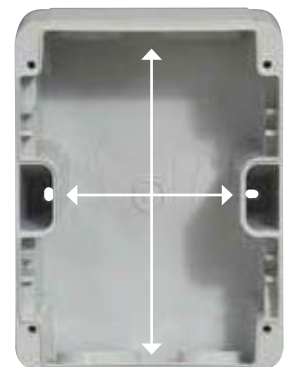
**4** EASY COVER FIXING

Stainless steel captive screws with mixed head (for cross or flat screwdriver) for a good seal and anti-corrosion resistance.



**5** EASY REMOVAL

The active parts of the product can be removed from the base for easier wiring and changing the socket angle.



**6** EASY WIRING

Optimum wiring area for easier connections.

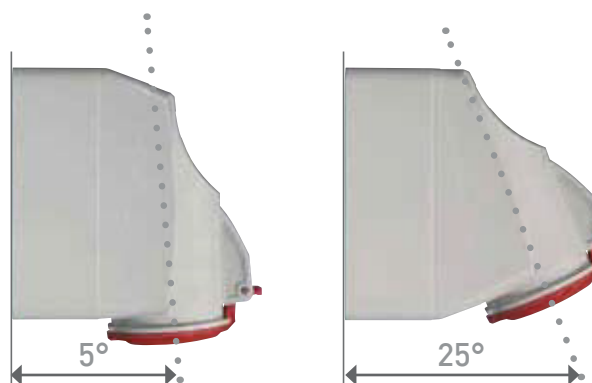
# P17 TEMPRA PRO,

## ensuring ease of use and safety

The new P17 Tempra Pro range has been subject to extensive research in terms of design and safety in order to make life safer and easier for the user. Good product gripping, compact dimensions for use in tight spaces, easier handling, etc. Compliance with standards, anti-corrosion treated materials and components, etc. A comprehensive set of solutions which comply with the standards.



AN INNOVATIVE DESIGN THAT COMPLIES WITH STANDARDS IEC 60309-1 AND 2 AND RESPECTS THE ENVIRONMENT



### 1 2 MOUNTING POSITIONS

To solve the problem of limited space, the surface mounting sockets offer 2 different mounting positions (5° or 25°) which allow users to adapt to the space available without changing the box.



### 2 CABLE GRIP

Captive cable grip with anti-vibration system holds the cable in place permanently.



## SAFETY & THE ENVIRONMENT

### SAFETY

Connection terminals compliant with standards IEC 60 309 1 & 2

Production sites certified according to ISO 14001 and ISO 9001

Very high resistance to chemical products. Plugs and sockets made of polyamide 6

Anti-corrosion treated screws, stainless steel springs for the socket covers

Resistant to temperatures of -25 °C to + 40 °C

### ENVIRONMENT

Halogen-free recyclable materials (silicone, PVC)

Grouped packaging in boxes

PEP products (Eco Passport)



### 3 EASE OF HANDLING

Gripping areas on the body of the mobile products and the cable grip.



### 4 OPENING LEVER

For easier connection/disconnection. Cover held open on panel sockets and surface mounting sockets.



### 5 POSITION MARKING

Information engraved on the ring cover of IP 66/67 products means the user can check quickly whether it is in the open or closed position. Marking area on the shutter of the sockets and on the upper part of the plugs allows easy identification by the user.

# P17 TEMPRA PRO,

## ensuring customers get exactly what they need

The P17 Tempra Pro range is fully compatible with additional products and accessories from the Legrand industrial socket range and therefore meets the needs of all site configurations. Customised configurations are also available for solutions that are even more suited to your wide-ranging needs.

### Combined units



**SINGLE-SOCKET UNITS**  
With or without DIN rail:  
16 / 32 A IP 44 et 63 A IP 66  
(see page 24)



**COMBINED UNITS TO BE COMPOSED**  
Only 16 catalogue numbers:  
8 for the bases and 8 for the faceplates  
(see page 25)

### IP55 flush-mounting boxes



**FOR IP 44 OR IP 66/67 SOCKETS**  
For 1 x 16 or 32 A  
or domestic socket  
(see page 14)



**FOR IP 44 OR IP 66/67 SOCKETS**  
For 2 x 16 A  
or domestic sockets  
(see page 14)

A COMPREHENSIVE  
RANGE OF PRODUCTS  
MATCHING THE NEW  
P17 TEMPRA PRO  
RANGE PERFECTLY

## Worksites combined units

## Interlocked sockets



**INDIVIDUAL UNITS**  
Mobile units with integrated handle (see page 28)



**FLOOR CABINETS**  
Fitted with 5, 6 or 7 sockets or in modular version (see page 28)



**ENERGY DISTRIBUTION UNITS**  
Fitted with domestic and IEC pin configuration socket from 16 to 63 A (see page 28)



**INTERLOCKED SWITCHED SOCKETS WITH SMALL FLANGE**  
125 x 105 mm (see page 24)

# P17 Tempra Pro IP 44 - LV 16 and 32 A

## selection chart








Conform to IEC 60309-1 and IEC 60309-2 IP 44 according to IEC 60529 IK 09 according to IEC 62262 Material: polyamide 6 Self-extinguishing: 850 °C (support of active parts) / 650 °C (plastic housing)			FUNCTIONS							
			SURFACE MOUNTING SOCKETS	PANEL MOUNTING SOCKETS INCLINED OUTLET	PANEL MOUNTING SOCKETS STRAIGHT OUTLET	INTERLOCKED SWITCHED SOCKETS WITH SMALL FLANGE	MOBILE SOCKETS	STRAIGHT PLUGS	ANGLED PLUG	APPLIANCE INLETS
LV										
100 to 130 VA 50/60 Hz	16 A	2P+E	5 551 51	5 551 81	0 573 51		5 551 01	5 551 21		0 575 81 <sup>(2)</sup>
		3P+E	5 551 52				5 551 02	5 551 22		
	32 A	2P+E	5 552 51	5 552 81			5 552 11	5 552 31		0 582 81 <sup>(2)</sup>
200 to 250 VA 50/60 Hz	16 A	2P+E	5 551 54	5 551 84	0 573 54	0 573 00 <sup>(1)</sup>	5 551 04	5 551 24	0 564 53	0 575 84 <sup>(2)</sup>
		3P+E	5 551 55	5 551 85			5 551 05	5 551 25		0 575 85 <sup>(2)</sup>
		3P+N+E	5 551 56	5 551 86			5 551 06	5 551 26		0 575 86 <sup>(2)</sup>
	32 A	2P+E	5 552 54	5 552 84	0 580 54		5 552 14	5 552 34	0 564 73	0 582 84 <sup>(2)</sup>
		3P+E	5 552 55	5 552 85			5 552 15	5 552 35		
		3P+N+E	5 552 56	5 552 86			5 552 16	5 552 36		0 582 86 <sup>(2)</sup>
380 to 415 VA 50/60 Hz	16 A	2P+E	5 551 57				5 551 07	5 551 27		
		3P+E	5 551 58	5 551 88	0 573 58	0 573 01 <sup>(1)</sup>	5 551 08	5 551 28	0 564 57	0 575 88 <sup>(2)</sup>
		3P+N+E	5 551 59	5 551 89	0 573 59	0 573 02 <sup>(1)</sup>	5 551 09	5 551 29	0 564 58	0 575 89 <sup>(2)</sup>
	32 A	2P+E	5 552 57				5 552 17	5 552 37		
		3P+E	5 552 58	5 552 88	0 580 58		5 552 18	5 552 38	0 564 77	0 582 88 <sup>(2)</sup>
		3P+N+E	5 552 59	5 552 89	0 580 59		5 552 19	5 552 39	0 564 78	0 582 89 <sup>(2)</sup>
440 to 460 VA 50/60 Hz	16 A	3P+E	5 551 60	5 551 90			5 551 10	5 551 30		
	32 A	3P+E	5 552 60	5 552 90			5 552 20	5 552 40		
480 to 500 VA 50/60 Hz	16 A	3P+E	5 551 62	5 551 92			5 551 12	5 551 32		
		3P+N+E	5 551 63	5 551 93			5 551 13	5 551 33		
	32 A	3P+E	5 552 62	5 552 92			5 552 22	5 552 42		
		3P+N+E	5 552 63	5 552 93			5 552 23	5 552 43		

1: Can be fitted only on faceplate Cat.No 0 577 23 - 2: Protection covers not supplied



# P17 Tempra Pro IP 66/67 - LV 16, 32, 63 and 125 A

## selection chart

Conform to IEC 60309-1 and IEC 60309-2 IP 44 according to IEC 60529 IK 09 according to IEC 62262 Material: polyamide 6 Self-extinguishing: 850 °C (support of active parts) / 650 °C (plastic housing)			FUNCTIONS						
			SURFACE MOUNTING SOCKETS	PANEL MOUNTING SOCKETS	INTERLOCKED SWITCHED SOCKETS WITH SMALL FLANGE	MOBILE SOCKETS	STRAIGHT PLUGS	ANGLED PLUG	APPLIANCE INLETS
LV									
100 to 130 VA 50/60 Hz	16 A	2P+E	5 553 51	5 553 81		5 553 01	5 553 21		0 568 00
	32 A	2P+E	5 554 51	5 554 81			5 554 31		
200 to 250 VA 50/60 Hz	16 A	2P+E	5 553 54	5 553 84	0 573 20 <sup>(1)(2)</sup>	5 553 04	5 553 24	0 565 03	0 568 03
		3P+E	5 553 55	5 553 85		5 553 05	5 553 25		0 568 04
		3P+N+E	5 553 56	5 553 86		5 553 06	5 553 26		
	32 A	2P+E	5 554 54	5 554 84		5 554 14	5 554 34	0 565 23	0 568 23
		3P+E	5 554 55	5 554 85		5 554 15	5 554 35		
		3P+N+E	5 554 56	5 554 86		5 554 16	5 554 36		
63 A	2P+E	0 587 40	0 587 20		0 587 10	0 587 00		0 587 30	
	3P+E	0 587 41	0 587 21		0 587 11	0 587 01			
	3P+N+E	0 587 42	0 587 22		0 587 12	0 587 02			
380 to 415 VA 50/60 Hz	16 A	3P+E	5 553 58	5 553 88	0 573 21 <sup>(1)(2)</sup>	5 553 08	5 553 28		0 568 07
		3P+N+E	5 553 59	5 553 89	0 573 22 <sup>(1)(2)</sup>	5 553 09	5 553 29		0 568 08
	32 A	3P+E	5 554 58	5 554 88		5 554 18	5 554 38		0 568 27
		3P+N+E	5 554 59	5 554 89		5 554 19	5 554 39	0 565 28	0 568 28
	63 A	3P+E	0 587 44	0 587 24		0 587 14	0 587 04		0 587 34
		3P+N+E	0 587 45	0 587 25		0 587 15	0 587 05		0 587 35
	125 A	3P+E	0 591 06	0 591 16		0 591 36	0 591 26		0 591 46
		3P+N+E	0 591 07	0 591 17		0 591 37	0 591 27		0 591 47
	440 VA 50/60 Hz for refrigerated containers	32 A	3P+E	5 554 91		5 554 21	5 554 41		
480 to 500 VA 50/60 Hz	16 A	3P+E	5 553 62	5 553 92		5 553 12	5 553 32		
	32 A	3P+E	5 554 62	5 554 92		5 554 22	5 554 42		
		3P+N+E	5 554 63				5 554 43		
63 A	3P+E	0 553 48	0 587 27		0 587 17	0 587 07			

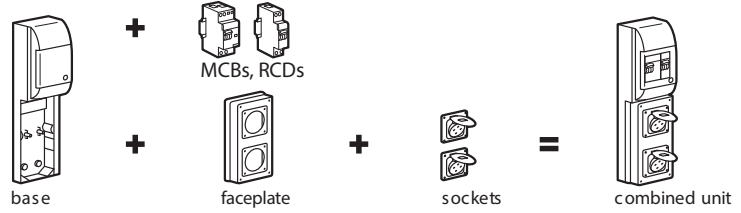
1: IP 55 - 2: Can be fitted only on faceplate Cat.No 0 577 23

# P17 Tempra combined units to be composed

- IK 08 according to IEC 62262
- Self-extinguishing: 650 °C
- Max. IP 66

## Example of combined unit configuration

Bases and faceplates dimensions **p. 26**



## COMBINED UNITS HEIGHT 220 MM TO 441 MM

### BASES FOR 220 x 125 MM FACEPLATES - MAX IP 66

Surface mounting box	Base up to 2 sockets 16 A	Base up to 4 sockets 16 A	Base up to 6 sockets 16 A
220 x 125 mm <sup>(4)</sup>	371 x 125 mm <sup>(4)</sup> Rail 5 modules 17.5 mm	441 x 265 mm <sup>(4)</sup> Rail 12 modules 17.5 mm	441 x 405 mm <sup>(4)</sup> Rail 18 modules 17.5 mm
Pack	Cat.No	Pack	Cat.No
2	0 577 10	1	0 589 38
Pack	Cat.No	Pack	Cat.No
1	0 577 05	1	0 577 06

### 220 X 125 MM FACEPLATES

1 socket 16 or 32 A	2 sockets 16 A	1 socket 63 A	Plain plate
Pack	Cat.No	Pack	Cat.No
5	0 577 12	5	0 577 13 <sup>(1)</sup>
Pack	Cat.No	Pack	Cat.No
2	0 577 17	5	0 577 15

## COMBINED UNITS HEIGHT 280 MM TO 501 MM

### BASES FOR 280 x 125 MM FACEPLATES - MAX IP 66

Surface mounting box	Base up to 3 sockets 16 A	Base up to 6 sockets 16 A	Base up to 9 sockets 16 A
280 x 125 mm <sup>(4)</sup>	421 x 125 mm <sup>(4)</sup> Rail 5 modules 17.5 mm	501 x 265 mm <sup>(4)</sup> Rail 12 modules 17.5 mm	501 x 405 mm <sup>(4)</sup> Rail 18 modules 17.5 mm
Pack	Cat.No	Pack	Cat.No
3	0 577 11	1	0 577 20
Pack	Cat.No	Pack	Cat.No
1	0 577 03	1	0 577 04

### 280 x 125 MM FACEPLATE

2 sockets 16 or 32 A	2 interlocked switched sockets 16 A (p. 16)	1 socket 16 or 32 A and 1 socket 63 A	3 sockets 16 A <sup>(2)</sup>	Plain plate	
Pack	Cat.No	Pack	Cat.No	Pack	Cat.No
4	0 577 18 <sup>(1)</sup>	1	0 577 23	2	0 577 19 <sup>(1)</sup>
Pack	Cat.No	Pack	Cat.No	Pack	Cat.No
4	0 577 14 <sup>(1)</sup>	4	0 577 16	4	0 577 16

1: Supplied with blanking plate - 2: To be fixed horizontally except 16 A domestic pin sockets, vertically (IP 44 - connected)  
4: External dimensions: H x W - 5: Interlocked switched socket with small flange - 6: IP 55 - Interlocked switched socket with

- 3: IP 54 cover closed - IP 44 connected small flange



0 577 04 with emergency stop button, appliance inlet and interlocked switched sockets



0 577 20 with interlocked switched sockets

### EXAMPLE OF SOCKETS

ELV			IP 44		
20/25 V±	16 A	2P	0 552 45		
	32 A	2P	0 552 95		
LV			IP 44	IP 66-67	
100/130 V±	16 A	2P+E	5 551 81	-	
200/250 V±	16 A	2P+E	5 551 84	5 553 84	
	32 A	2P+E	5 552 84	5 554 84	
	63 A	2P+E	-	0 587 20	
380/415 V±	16 A	3P+E	5 551 88	5 553 88	
		3P+N+E	5 551 89	5 553 89	
	32 A	3P+E	5 552 88	5 554 88	
		3P+N+E	5 552 89	5 554 89	
	63 A	3P+E	-	0 587 24	
		3P+N+E	-	0 587 25	

### Possible combinations with bases for 220 x 125 mm faceplates

Cat.No	Nb of sockets	Intensity			Number of faceplates			
		16 A	16 A or 32 A	63 A	0 577 12	0 577 13	0 577 17	
<b>With box or base</b>								
0 577 10 or 0 589 38	1 socket	-	1	-	1	-	-	
	2 sockets	-	-	1	-	-	1	
0 577 05	2 sockets	-	2	-	2	-	-	
		-	1	1	1	-	1	
	3 sockets	-	-	2	-	-	-	2
		3	-	-	1	1	-	-
		2	1	-	1	1	-	-
		2	-	1	-	1	1	1
	4 sockets	4	-	-	-	-	2	-
		-	3	-	3	-	-	-
	0 577 06	3 sockets	-	-	3	-	-	3
			-	1	2	1	-	2
4 sockets		-	2	1	2	-	1	-
		2	2	-	2	1	-	-
5 sockets	2	1	1	1	1	1	1	
	2	2	-	2	1	-	-	
6 sockets	4	1	-	1	1	2	-	
	4	-	1	-	-	2	1	

### EXAMPLE OF SOCKETS

ELV			IP 44		
20/25 V±	16 A	2P	0 552 45		
	32 A	2P	0 552 95		
LV			IP 44	IP 66-67	
100/130 V±	16 A	2P+E	5 551 81	-	
200/250 V±	16 A	2P+E	5 551 84	5 553 84	
	32 A	2P+E	0 573 00 <sup>(5)</sup>	0 573 20 <sup>(6)</sup>	
	63 A	2P+E	-	0 587 20	
380/415 V±	16 A	3P+E	5 551 88	5 553 88	
		3P+N+E	0 573 01 <sup>(5)</sup>	0 573 21 <sup>(6)</sup>	
	32 A	3P+N+E	5 551 89	5 553 89	
		3P+N+E	0 573 02 <sup>(5)</sup>	0 573 22 <sup>(6)</sup>	
	63 A	3P+E	5 552 88	5 554 88	
		3P+N+E	5 552 89	5 554 89	
63 A	3P+E	-	0 587 24		
	3P+N+E	-	0 587 25		

### Possible combinations with bases for 280 x 125 mm faceplates

Cat.No	Nb of sockets	Intensity			Number of faceplates			
		16 A	16 A or 32 A	63 A	0 577 18	0 577 23	0 577 19	0 577 14
<b>Avec boîtier ou embase</b>								
0 577 11 or 0 577 20	2 sockets	-	2	-	1	-	-	-
	2 interlocked sw. sockets	-	1	1	-	-	1	-
	3 sockets	-	-	-	-	1	-	-
0 577 03	4 sockets	-	4	-	2	-	-	-
		-	2	2	-	-	2	-
	4 interlocked sw. sockets	-	3	1	1	1	-	1
		-	-	-	-	2	-	-
		3	1	1	-	-	1	1
		3	2	-	1	-	-	1
0 577 04	6 sockets	6	-	-	-	-	-	2
		-	6	-	3	-	-	-
	6 interlocked sw. sockets	-	3	3	-	-	3	-
		-	5	1	2	-	1	-
7 sockets	-	4	2	1	-	2	-	
	-	-	-	-	3	-	-	
	3	2	2	-	-	2	1	
8 sockets	3	4	-	2	-	-	1	
	3	3	1	1	-	1	1	
9 sockets	6	1	1	-	-	1	2	
	6	2	-	1	-	-	2	