

**Arteor™**

hotel equipment - BUS and Radio scenario controllers



5745 87



5745 91

Cover plates selection chart p. 108-111

Pack	Cat.Nos	Scenario controllers with specific marking
		<p><b>Radio controls</b> 4-scenes micropush control Surface mounting, no wiring needed For BUS or radio installations Mechanisms equipped with White or Black round cover plate and Magnesium circular push control for 4 scenarios Supplied with support frames and batteries To be equipped with plates 2 modules 45 x 45 mm</p>
1	White 5740 87   Black 5745 87	"wake up / sleep / TV / relax" marking
1	5740 88   5745 88	"wake up / sleep / open curtains / close curtains" marking
		<p><b>Touch plates for radio controls</b> 4-scenes touch plate British standard fixing centres</p>
1	5740 90   5745 90	"wake up / sleep / TV / relax" marking
1	5740 93   5745 93	"wake up / sleep / open curtains / close curtains" marking
		<p><b>BUS controls</b> 4-scenes touch control for the activation of 4 scenarios: "wake up / sleep / TV / relax" 2 modules mechanisms For British standard flush-mounting boxes</p>
1	5740 89   5745 89	
1	5740 91   5745 91	6-scenes touch control for the activation of 6 scenarios: "wake up / sleep / TV / relax / open curtains / close curtains" 3 modules mechanisms For British, Italian and American flush-mounting boxes
		<p><b>Accessories</b> Sheet with stickers with symbols for different scenarios for hotel rooms</p>
1/100	5740 92	Dark colour
1/100	5745 92	White colour

**Complete home automation solutions** (see p. 112-150)

**Arteor™**

hotel equipment - key fob switches, shaver sockets



5727 30



5721 53

Cover plates selection chart p. 108-111  
Technical data p. 81-99

Pack	Cat.Nos	Key fob switches
1/20	White 5722 30   Magnesium 5727 30	For energizing a circuit by inserting a key fob Cat.Nos 5722 59 and 5727 59 or a smart card (access card for a hotel room) Example of use: hotel room power supply only when guest is present Time-delay of approx. 30 sec. after card removal To be equipped with single pole latching relay Cat.Nos 5722 27 and 5727 27 2 modules 45 x 45 mm
		Key fob switch 230 V
10/50	White 5722 59   Magnesium 5727 59	<p><b>Key fob</b> Key fob Enables use of key fob switches in hotels with key locks Supplied complete with a label holder for individual hotel identification</p>
		<p><b>Shaver sockets</b> Conform to BS EN 61558-2-5. IP 24 For use with European, British, American, Australian 2-pin plugs Screwless live and neutral terminals Double wound isolating transformer Automatic self-resetting overload feature Plug insertion operates micro-switch which energises transformer To be equipped with BS 2 gang - 3 modules plates For flush-mounting boxes, use BS 2 gang box depth 48 mm, US type, italian type boxes depth 48 mm Power supply: 230 V - 50/60 Hz 3 modules 67.5 x 45 mm</p>
1	White 5721 53   Magnesium 5726 53	230 V / 120-230 V With earth connector

**Bold catalogue numbers** are products normally available with Legrand (India) stockists.

**Cat.Nos that are not bold** - delivery within 4 - 8 weeks from the date of order.

**Bold packing quantity** is our mandatory packing. Orders to be placed by Legrand (India) stockists in multiples of the same.

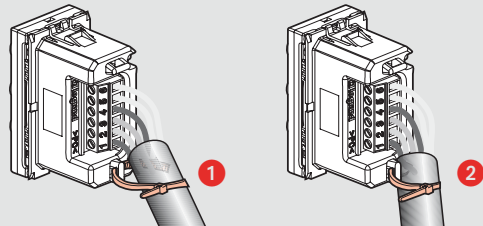
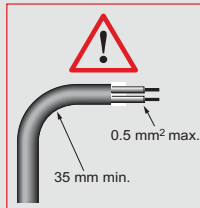
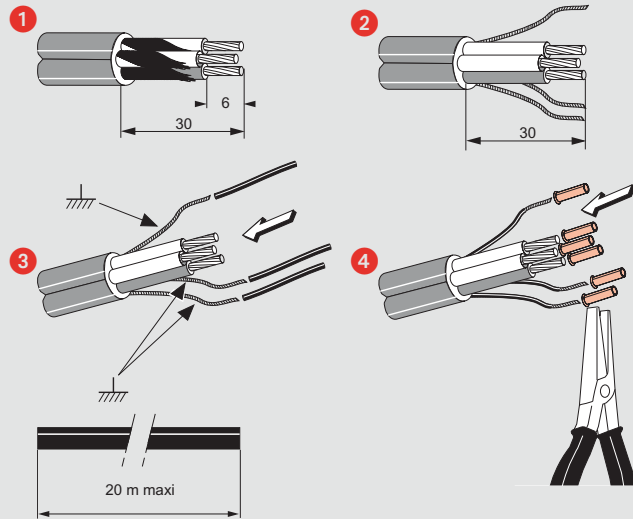
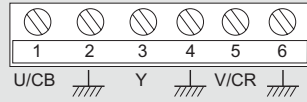
**Arteor™**

data, audio and video sockets (continued)

**Technical data**

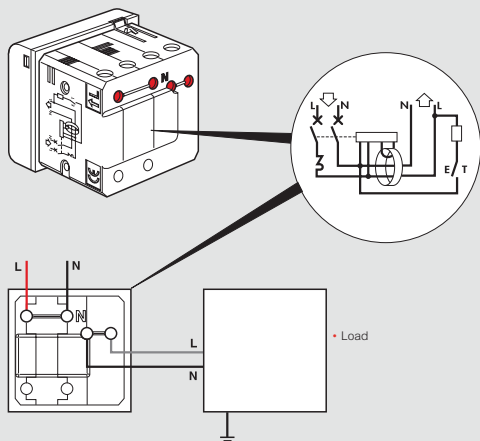
**YUV socket**

Cat.Nos 5722 71/5727 71



**RCBO**

Cat.No 5734 85

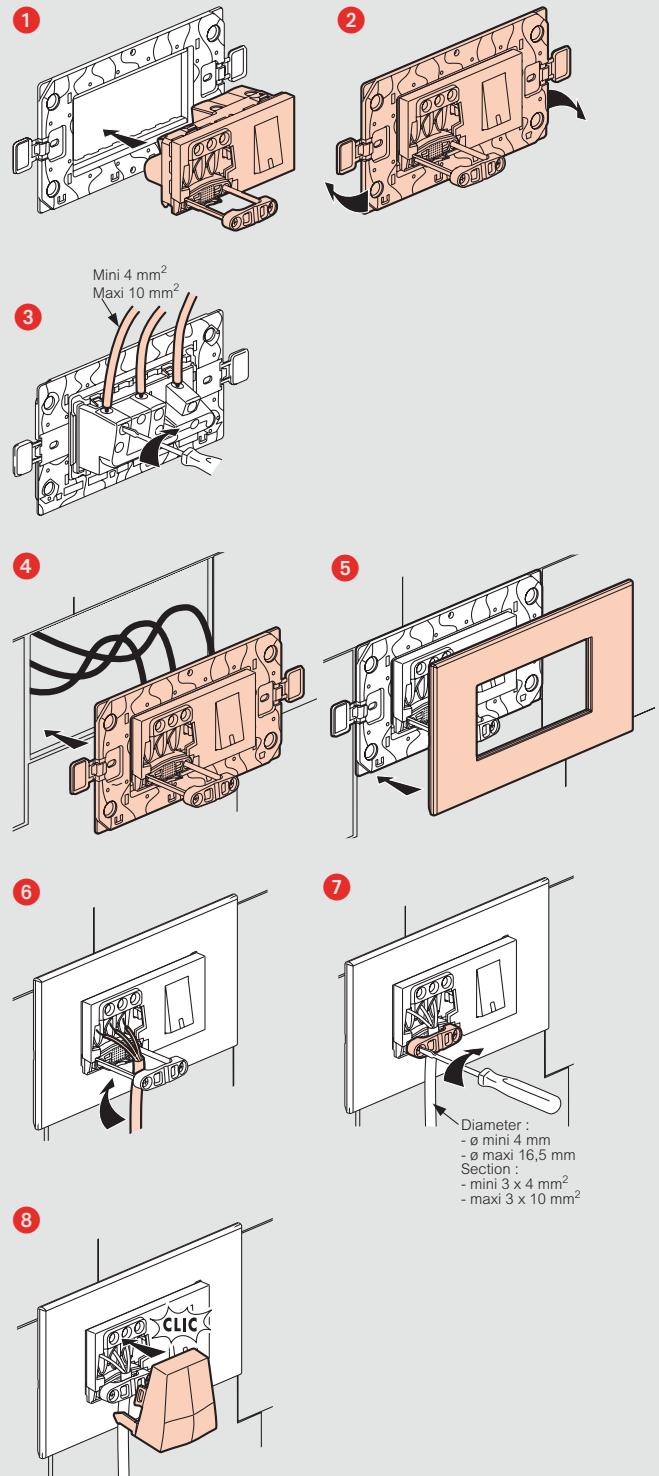


**Arteor™**

power units

**Technical data**

Cat.Nos 5721 54 - 5726 54



Diameter :  
 - ø mini 4 mm  
 - ø maxi 16,5 mm  
 Section :  
 - mini 3 x 4 mm<sup>2</sup>  
 - maxi 3 x 10 mm<sup>2</sup>