

# Arteor™

hotel equipment – square version  
data, audio and video sockets



Cover plates selection chart (p. 262-265)  
Technical data (p. 244-248)

Pack	Cat.Nos		Data, audio and video sockets
	White	Magnesium	
<b>20/200</b>	<b>5734 28</b>	<b>5736 28</b>	<b>RJ 45 tool-less system - Cat. 6</b> UTP - 8 contacts 1 module 22.5 x 45 mm
<b>10/100</b>	<b>5734 74</b>	<b>5736 74</b>	UTP - 8 contacts 2 modules 45 x 45 mm
<b>1/20</b>	5722 75	5727 75	<b>USB sockets</b> Used to bring connections closer to the user For connecting USB devices (scanner-printer, external hard disk) Connection via screw terminals cross-section 1 mm <sup>2</sup> Recommended cable: USB A max. cable length 5 m 1 module 22.5 x 45 mm
<b>1/20</b>	5722 72	5727 72	<b>2 x female RCA</b> For the stereo audio connection of any DVD drive, camera, video recorder, etc. type peripheral Recommended cable: 1 shielded audio pair 1 module 22.5 x 45 mm
<b>1/20</b>	5722 73	5727 73	<b>3 x female RCA</b> For the composite video and stereo audio connection of a DVD drive, camera, video recorder, video conference equipment etc. Recommended cable: 1 shielded audio pair + 1 x 3 mm mini-coaxial 1 module 22.5 x 45 mm
<b>1/20</b>	5722 71	5727 71	<b>YUV</b> For analog high definition connection of a DVD, PC monitor, plasma screen, video projector, graphic paintbox, etc. Recommended cable: 3 x 3 mm mini-coaxial (max. cable length 25 m) or 3 x RG59 coaxial (max. cable length 50 m) 1 module 22.5 x 45 mm
<b>1/20</b>	5722 74	5727 74	<b>Female 3.5 mm jack</b> For stereo audio connection from a portable source Recommended cable: 1 x 0.22 mm <sup>2</sup> shielded audio pair Connection on screw terminals 1 module 22.5 x 45 mm

Pack	Cat.Nos		Audio and video sockets (continued)
	White	Magnesium	
<b>1/20</b>	5722 82	5727 82	<b>Female HD 15</b> For VGA, XGA or VESA connection of a PC monitor, plasma screen, video projector, graphic paintbox, etc. Recommended cable Cat.No 0327 81 Max. cable length 25 m (beyond this a VGA amplifier is recommended) Connection on screw terminals 2 modules 45 x 45 mm
<b>1/20</b>	5722 79	5727 79	Solder connection 1 module 22.5 x 45 mm
<b>1/20</b>	5722 81	5727 81	<b>HDMI</b> For digital high definition audio and video connection of a PC monitor, plasma screen, video projector, graphic paintbox, etc. Recommended cable Cat.No 0327 80 2 modules 45 x 45 mm
<b>1/40</b>	5744 01	5744 51	<b>S-Video socket (4-pin mini-DIN)</b> 1-gang Provides the YC video link for any peripheral device such as a DVD drive, camera, video recorder, videoconferencing, etc 1 module 22.5 x 45 mm
<b>1/20</b>	5722 88	5727 88	<b>Female HD 15 + jack 3.5 mm</b> 2 modules 45 x 45 mm Square version

**Bold catalogue numbers** are products normally available with Legrand (India) stockists.

**Cat. nos. that are not bold** - delivery within 4 - 8 weeks from the date of order.

**Bold packing quantity** is our mandatory packing. Orders to be placed by Legrand (India) stockists in multiples of the same.

## Arteor™

10 Giga, Cat. 6 and Cat. 5e data sockets



## Arteor™

rear pluggable data sockets and wiring splitter



Cover plates selection chart (p. 262-265)

Certified as conforming to standards ISO 11801 ed. 2.0, EN 50173-1 and EIA/TIA 568  
 Contacts marked with 568 A and B dual colour code and numbers  
 Connectors with self-stripping terminals  
 Possibility of re-wiring in the event of error  
 Multidirectionnal cable entry

Cover plates selection chart (p. 262-265)  
 Technical data (p. 257)

Certified as conforming to standards ISO 11801 ed. 2.0, EN 50173-1 and EIA/TIA 568  
 Contacts marked with 568 A and B dual colour code and numbers  
 Connectors with self-stripping terminals  
 Possibility of re-wiring in the event of error  
 Multidirectionnal cable entry

Pack	Cat.Nos		RJ 45 - tool-less system
	White	Magnesium	
10/100	5734 32	5728 06	<p>Rapid connection sockets, no tool required</p> <p><b>10 Giga</b>                      Supports 10 G base-T applications up to 100 m in a channel conforming to ISO/IEC TIA TSB 155 and IEEE 802.3an</p> <p> STP/FTP - 9 contacts, shielded folded metal                      1 module 22.5 x 45 mm</p> <p><b>Cat. 6</b>   STP - 9 contacts, shielded folded metal                      2 modules 45 x 45 mm</p> <p><b>20/200</b> 5734 34 5736 34   STP - 9 contacts                      1 module 22.5 x 45 mm</p> <p><b>10/100</b> 5734 76 5736 76   FTP - 9 contacts                      2 modules 45 x 45 mm</p> <p><b>20/200</b> <b>5734 28</b> <b>5736 28</b>   UTP - 8 contacts                      1 module 22.5 x 45 mm</p> <p><b>10/100</b> <b>5734 74</b> <b>5736 74</b>   UTP - 8 contacts                      2 modules 45 x 45 mm</p> <p><b>Cat. 5e</b>  <b>20/200</b> 5734 30 5736 30   FTP - 9 contacts                      1 module 22.5 x 45 mm</p> <p><b>20/200</b> <b>5734 29</b> <b>5736 29</b>   UTP - 8 contacts                      1 module 22.5 x 45 mm</p> <p><b>10/100</b> <b>5734 75</b> <b>5736 75</b>   UTP - 8 contacts                      2 modules 45 x 45 mm</p>

Pack	Cat.Nos		Rear pluggable RJ 45 sockets
	White	Magnesium	
10/100	5723 31	5728 31	<p>Used to create Cat. 6 and Cat. 5e links in accordance with standards                      2 modules 45 x 45 mm</p> <p><b>Cat. 6</b>   UTP   FTP</p> <p><b>Cat. 5e</b>   UTP   FTP</p>
10/100	5723 33	5728 33	
10/100	5723 30	5728 30	
10/100	5723 32	5728 32	

Pack	Cat.Nos		Telephone/Ethernet wiring splitter
	White	Magnesium	
10/100	5723 36	5728 36	<p>Provide increased security against theft and damage to double connectors                      Provide a rate of 10/100 Mbps                      Multidirectionnal cable entry                      Can be installed in all supports min. depth 35 mm                      Telephone and Ethernet applications marked on the protective cap                      1 module 22.5 x 45 mm</p> <p> FTP double connector                      9 contacts</p> <p> UTP double connector                      8 contacts</p>
10/100	5723 35	5728 35	

■ **Technical data**

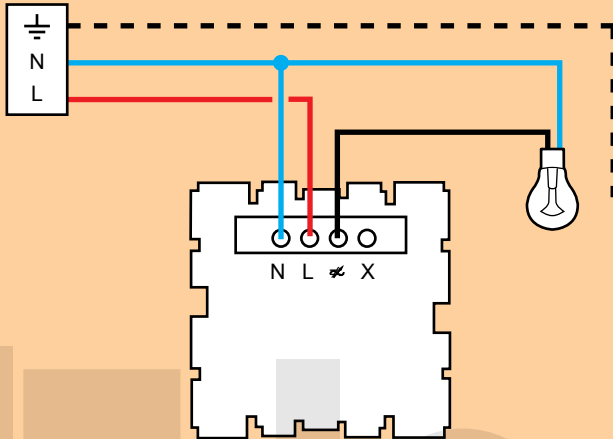
**Sensitive switch**

Cat.Nos 5720 51, 5725 51, 5734 55, 5736 55

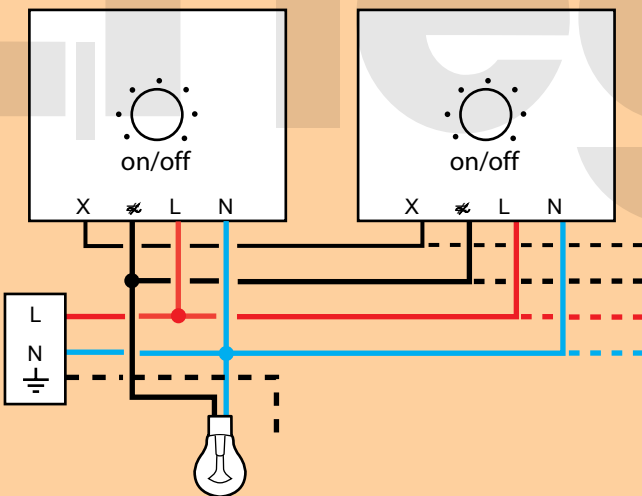
**Connection**

Number of terminals: 4  
Terminal type: with screws  
Terminal capacities: 2 x 1.5 mm<sup>2</sup> ou 1 x 2.5 mm<sup>2</sup>  
Tool: flat-blade screwdriver 3.5 mm

**Connection of one switching point**



**Connection of several sensitive control points (5 max.)**



**Electrical characteristics**

Self-extinguishing: 650 °C / 30s  
Voltage: 100 - 240 V  
Frequency: 50/60 Hz

**Max. power**

	①	②	③	④
240 V	1000 W	1000 W	500 VA	500 VA
100 V	500 W	500 W	250 VA	250 VA
	⑤	⑥	⑦	⑧
500 VA	500 VA	100 VA	1000 W	I max. < 2 A
250 VA	250 VA	50 VA	500 W	I max. < 1 A
				⑨

- ① - Incandescent lamp
- ② - Halogen lamp
- ③ - ELV halogen lamp with ferromagnetic or electronic transformer
- ④ - Fluorescent tube
- ⑤ - Compact fluorescent lamp
- ⑥ - Compact fluorescent lamp with separate transformer
- ⑦ - Fan drive
- ⑧ - Auxiliary radiator
- ⑨ - Contactor

**Climatic characteristics**

Storage temperatures: - 10 °C to + 70 °C  
Operating temperatures: - 5 °C to + 35 °C