

Arteor™

automatic switches, single pole latching relays,
time delay switch and visual indication



5720 53



5740 62



5720 55

Cover plates selection chart (p. 262-265)
Technical data (p. 240)

Pack	Cat.Nos	Automatic switches - 100/240 V~		
1/20	<table border="0"> <tr> <td style="text-align: center;"> White 5720 53 </td> <td style="text-align: center;"> Magnesium 5740 61 </td> </tr> </table>	 White 5720 53 	 Magnesium 5740 61 	<p>IR detection Adjustable detection distance from 3 to 10 m Horizontal detection angle: 180° Adjustable luminosity threshold: 3 to 1000 lux Time delay adjustable from 1 s to 16 min Cycle repeated as long as movement is detected Possible remote manual control with N/C push-button Integrated self-protection against overloads and short-circuits Installation in box min. depth 40 mm recommended 2 modules 45 x 45 mm</p> <p>With neutral, 3-wire - 1000 W Operates: - up to 1000 W incandescent and halogen lamps - up to 500 VA ELV halogen lamps with ferromagnetic or electronic transformer, fluorescent tubes and compact fluorescent lamps</p> <p>Without neutral, 2-wire - 400 W Operates: - up to 400 W incandescent and halogen lamps - up to 400 VA ELV halogen lamps with ferromagnetic or electronic transformer</p>
 White 5720 53 	 Magnesium 5740 61 			
1/20	<table border="0"> <tr> <td style="text-align: center;"> White 5720 52 </td> <td style="text-align: center;"> Magnesium 5740 62 </td> </tr> </table>	 White 5720 52 	 Magnesium 5740 62 	<p>Single pole latching relays</p> <p>10 A - 250 V~ - 50/60 Hz With integrated push-button Intensity 0.04 A 2 modules 45 x 45 mm</p>
 White 5720 52 	 Magnesium 5740 62 			
1/20	<table border="0"> <tr> <td style="text-align: center;"> White 5720 55 </td> <td style="text-align: center;"> Magnesium 5740 84 </td> </tr> </table>	 White 5720 55 	 Magnesium 5740 84 	<p>Time delay switch</p> <p>Interference suppression conforming to standard EN 55022</p> <p>For timer control of a circuit with the following loads: - 1000 W incandescent and halogen 230 V~ - 2300 W resistive (heating) - 400 VA fluorescent and ELV halogen Adjustable from 25 s to 15 min It is possible to install a number of timer switches in parallel on the same circuit 2-wire installation in box min. depth 40 mm With integrated LED 2 modules 45 x 45 mm</p>
 White 5720 55 	 Magnesium 5740 84 			

Arteor™

visual indication (continued)



5722 26



5724 52



5724 53

Cover plates selection chart (p. 262-265)
Technical data (p. 240)

Pack	Cat.Nos	Miniature emergency lighting unit		
1/20	<table border="0"> <tr> <td style="text-align: center;"> White 5722 22 </td> </tr> </table>	 White 5722 22 	<p>Illuminates automatically upon power failure Unclips from frame to become portable Can be permanently attached to frame LEDs indicating mains and charging status</p>	
 White 5722 22 				
1/5/25	<table border="0"> <tr> <td style="text-align: center;"> White 5734 64 </td> <td style="text-align: center;"> Magnesium 5735 64 </td> </tr> </table>	 White 5734 64 	 Magnesium 5735 64 	<p>Skirting lights</p> <p>3 modules 67.5 x 45 mm For installation close to obstacles</p> <p>Standard With white LED</p>
 White 5734 64 	 Magnesium 5735 64 			
1/20	<table border="0"> <tr> <td style="text-align: center;"> White 5722 26 </td> <td style="text-align: center;"> Magnesium 5727 26 </td> </tr> </table>	 White 5722 26 	 Magnesium 5727 26 	<p>With motion detector 100-240 V</p> <p>With IR detection cell and LED On detection of any movement, it automatically creates an illuminated pathway The function is equipped with an audible signal that can be disengaged</p>
 White 5722 26 	 Magnesium 5727 26 			
10/100	<table border="0"> <tr> <td style="text-align: center;"> White 5724 52 </td> </tr> </table>	 White 5724 52 	<p>Illuminated lighting unit</p> <p>230 V - 1 W Supplied with 4 coloured labels 1 module 22.5 x 45 mm</p>	
 White 5724 52 				
10/100	<table border="0"> <tr> <td style="text-align: center;"> White 5724 53 </td> </tr> </table>	 White 5724 53 	<p>Overdoor lighting units</p> <p>Supplied with diffusers and LED 2 modules: 45 x 45 mm Red diffuser White diffuser</p>	
 White 5724 53 				
5/50	<table border="0"> <tr> <td style="text-align: center;"> White 5738 06 </td> </tr> </table>	 White 5738 06 	<p>Lamps</p> <p>LED 230 V for locator switch - blue LED 230 V for indicator switch - red</p>	
 White 5738 06 				

Bold catalogue numbers are products normally available with Legrand (India) stockists.

Cat. nos. that are not bold - delivery within 4 - 8 weeks from the date of order.

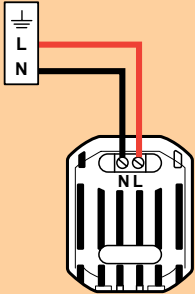
Bold packing quantity is our mandatory packing. Orders to be placed by Legrand (India) stockists in multiples of the same.

Arteor™

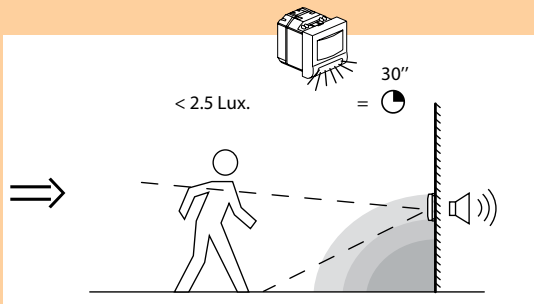
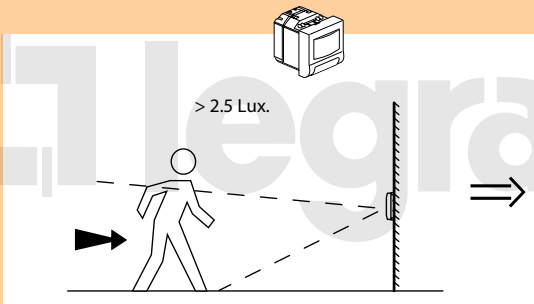
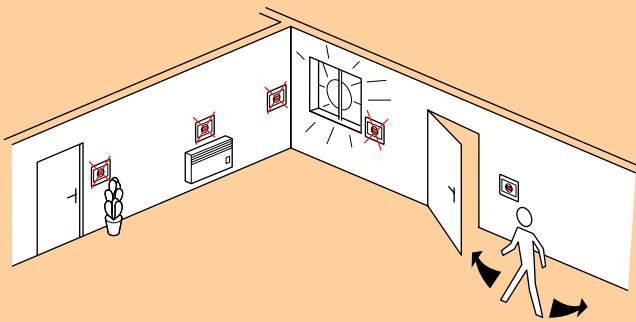
skirting light with indicator + detector

■ Technical data

Cat.Nos 5722 26/5727 26



Installation precautions



Arteor™

skirting light with indicator + detector

