



5734 85



5723 61

 Cover plates selection chart **p. 108-111**
 Technical data **p. 81-99**

Pack	Cat.Nos	RCBO
1	White 5734 85	Single pole + Neutral - 30 mA 16 A - 230 V~ The RCBO is used to protect people (premises with a conductive floor, presence of water, etc...) against direct contact with live parts or leakages to earth With test button 2 modules 45 x 45 mm
1	White 5723 61	Thermal magnetic proximity MCB Single pole + Neutral - 230 V~ 16 A Used for local protection of part in a circuit (e.g. 2P+E socket) against overloads and short-circuits Used in addition to the main protection as it is both close to the user and discriminating vis-à-vis the main protection, and can therefore be reset immediately The proximity MCB can also be used as a local consumption limiter (depending on its rating) Breaking capacity: 3000 A 2 modules 45 x 45 mm
20/200	White 5734 40	Voltage surge protector Surge Filter - 230 VA 1 module
10/100	5734 48	Surge Filter - 230 VA 2 module



5736 70



5734 71

 Cover plates selection chart **p. 108-111**

Pack	Cat.Nos	Indian and Euro-US combined socket outlets
20/200	White 5734 70	6 A - 10 A - 230 V and 15 A - 127 V 2P+E Shuttered for child safety 2 modules 45 x 45 mm
10/100	White 5734 71	Indian standard socket outlets 6 A / 16 A 3 pin combined (2P+Earth) Shuttered for child safety 2 modules 45 x 45 mm
5/50	5734 67	3 modules 67.5 x 45 mm
20/200	Red 5738 08	6 A - 240 V 2P+E tamperproof Used to identify a mains circuit (e.g. inverter) and avoid connection of unnecessary equipment which may cause interference on the circuit Plugs to be fitted with tamperproof insert Cat.No 5738 09
20/200	5738 09	Tamperproof insert for Indian standard 6A socket outlets
10/100	White 5734 73	Multistandard socket outlets Shuttered for child safety 6/10/13 A - 2/3 pin for 250 V AC 15 A for 127 V type - 2 pin 2 modules 45 x 45 mm
5/50	5737 79	Double socket 4 modules 90 x 45 mm
10/100	White 5734 89	Round multistandard socket outlets Shuttered for child safety 6/10/13 A - 2/3 pin for 250 V AC 15 A for 127 V type - 2 pin 2 modules 45 x 45 mm

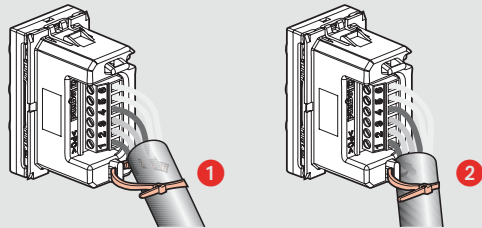
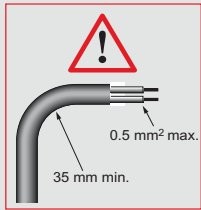
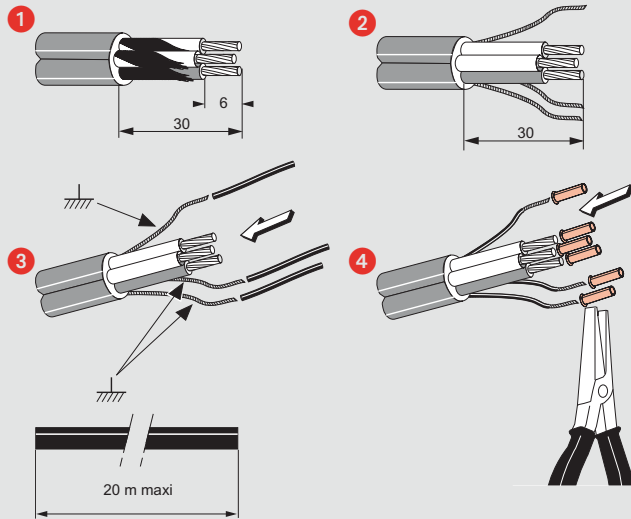
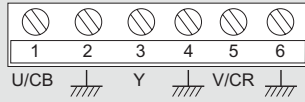
Arteor™

data, audio and video sockets (continued)

Technical data

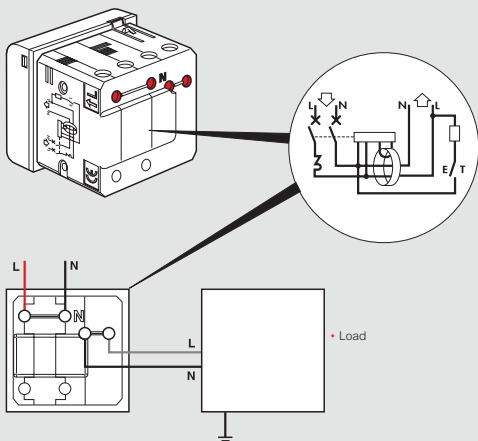
YUV socket

Cat.Nos 5722 71/5727 71



RCBO

Cat.No 5734 85

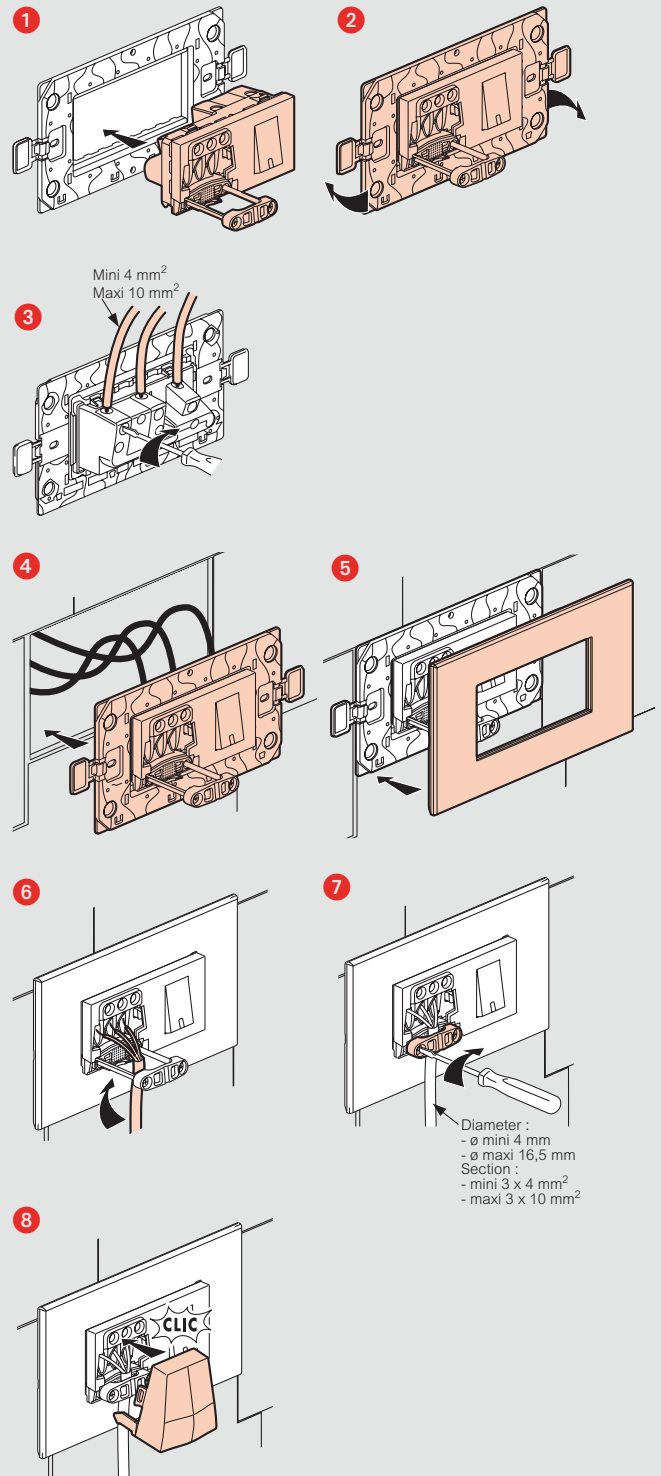


Arteor™

power units

Technical data

Cat.Nos 5721 54 - 5726 54



Diameter :
 - ø mini 4 mm
 - ø maxi 16,5 mm
 Section :
 - mini 3 x 4 mm²
 - maxi 3 x 10 mm²