

Load selection charts

	Cat.Nos	Universal							
		Leading edge				Trailing edge			
		Incandescent lamp		Halogen lamp		ELV halogen with ferromagnetic transformer		ELV halogen with electronic transformer	
110 V	230 V	110 V	230 V	110 V	230 V	110 V	230 V		
Micropush switches	5740 04/54 5743 04/54	200 W	400 W	200 W	400 W	200 VA	400 VA	200 VA	400 VA
	5740 02/52 5743 02/52	500 W	1000 W	500 W	1000 W	250 VA	500 VA	250 VA	500 VA
	5740 03/53 5743 03/53	2 x 500 W	2 x 1000 W	2 x 500 W	2 x 1000 W	2 x 250 VA	2 x 500 VA	2 x 250 VA	2 x 500 VA
	5740 00/50 5743 00/50	3 x 500 W	3 x 1000 W	3 x 500 W	3 x 1000 W	3 x 250 VA	3 x 500 VA	3 x 250 VA	3 x 500 VA
Sensitive switches	5740 01/51 5743 01/51	2 x 200 W	2 x 400 W	2 x 200 W	2 x 400 W	2 x 200 VA	2 x 400 VA	2 x 200 VA	2 x 400 VA
	5720 51 5734 55 5725 51 5736 55	500 W	1000 W	500 W	1000 W	250 VA	500 VA	250 VA	500 VA
Dimmers	5740 06/56 5743 06/56	300 W	600 W	300 W	600 W	225 VA	450 VA	300 VA	600 VA
	5735 01 5737 01 5722 40 5727 40	500 W	1000 W	500 W	1000 W	500 VA	1000 VA	300 VA	600 VA
	5722 11 5727 11 5743 05/55	300 W	600 W	300 W	600 W	300 VA	600 VA		
	5722 39 5727 39 5743 19 5743 39	200 W	400 W	200 W	400 W	200 VA	400 VA	200 VA	400 VA
	5740 07/57 5743 07/57	2 x 200 W	2 x 400 W	2 x 200 W	2 x 400 W	2 x 200 VA	2 x 400 VA	2 x 200 VA	2 x 400 VA
	5722 41 5727 41	500 W	1000 W	500 W	1000 W	500 VA	1000 VA	500 VA	1000 VA
	5740 10/60	1100 W	2200 W	1100 W	2200 W	1100 VA	2200 VA	1100 VA	2200 VA

	Cat.Nos	Universal					
		Fluorescent tube		Compact fluorescent lamp		LED	
		110 V	230 V	110 V	230 V	110 V	230 V
Micropush switches	5740 02/52 5743 02/52	250 VA	500 VA	250 VA	500 VA	250 VA	500 VA
	5740 03/53 5743 03/53	2 x 250 VA	2 x 500 VA	2 x 250 VA	2 x 500 VA	2 x 250 VA	2 x 500 VA
Sensitive switches	5740 00/50 5743 00/50	3 x 250 VA	3 x 500 VA	3 x 250 VA	3 x 500 VA	3 x 250 VA	3 x 500 VA
	5720 51 5734 55 5725 51 5736 55	250 VA	500 VA	250 VA	500 VA	250 VA	500 VA
Dimmers	5722 39 5727 39 5743 19 5743 39	100 VA	200 VA	Dimmable 37 W (max. 10 lamps)	Dimmable 75 W (max. 10 lamps)	Dimmable 37 W (max. 10 lamps)	Dimmable 75 W (max. 10 lamps)

	Cat.Nos	Ballasts 0-10 V				Ballasts DALI		Reducer motor for shutters	
		110 V		230 V		110 V	230 V	110 V	230 V
		Micropush switches	5740 02/52 5743 02/52						50 VA
5740 03/53 5743 03/53							2 x 50 VA	2 x 100 VA	
Sensitive switches	5740 00/50 5743 00/50						3 x 50 VA	3 x 100 VA	
	5720 51 5734 55 5725 51 5736 55						50 VA	100 VA	
Dimmers	5722 38 5727 38 5743 18 5743 38	300 VA 40 mA	600 VA 40 mA						
	5740 10/60	1100 VA 50 mA	2200 VA 50 mA	60 ballast	60 ballast				



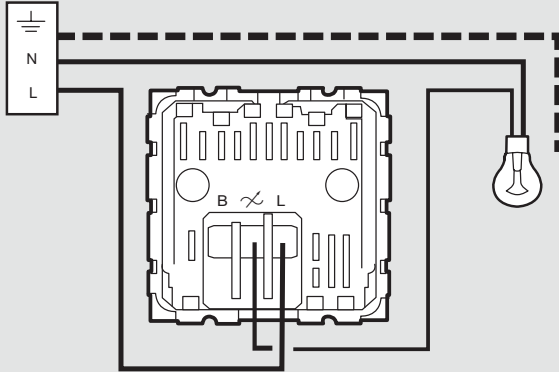
Cover plates selection chart p. 108-111
Technical data p. 81-99

Pack	Cat.Nos	Automatic switches - 100/240 V~
1/20	5740 47 (White), 5740 97 (Magnesium)	<p>IR detection</p> <ul style="list-style-type: none"> Adjustable detection distance from 3 to 10 m Horizontal detection angle: 180° Adjustable luminosity threshold: 3 to 1000 lux Time delay adjustable from 1 s to 16 min Cycle repeated as long as movement is detected Possible remote manual control with N/C push-button Integrated self-protection against overloads and short-circuits Installation in box min. depth 40 mm recommended 2 modules 45 x 45 mm <p>With neutral, 3-wire - 1000 W</p> <ul style="list-style-type: none"> Operates: <ul style="list-style-type: none"> - up to 1000 W incandescent and halogen lamps - up to 500 VA ELV halogen lamps with ferromagnetic or electronic transformer, fluorescent tubes and compact fluorescent lamps
1/20	5740 34 (White), 5740 94 (Magnesium)	<p>Without neutral, 2-wire - 400 W</p> <ul style="list-style-type: none"> Operates: <ul style="list-style-type: none"> - up to 400 W incandescent and halogen lamps - up to 400 VA ELV halogen lamps with ferromagnetic or electronic transformer
1/20	5722 27 (White), 5727 27 (Magnesium)	<p>Single pole latching relays</p> <ul style="list-style-type: none"> 10 A - 250 V~ - 50/60 Hz With integrated push-button Intensity 0.04 A 2 modules 45 x 45 mm
1/20	5720 55 (White), 5740 84 (Magnesium)	<p>Time delay switch</p> <ul style="list-style-type: none"> Interference suppression conforming to standard EN 55022 For timer control of a circuit with the following loads: <ul style="list-style-type: none"> - 1000 W incandescent and halogen 230 V~ - 2300 W resistive (heating) - 400 VA fluorescent and ELV halogen Adjustable from 25 s to 15 min It is possible to install a number of timer switches in parallel on the same circuit 2-wire installation in box min. depth 40 mm With integrated LED 2 modules 45 x 45 mm

Technical data

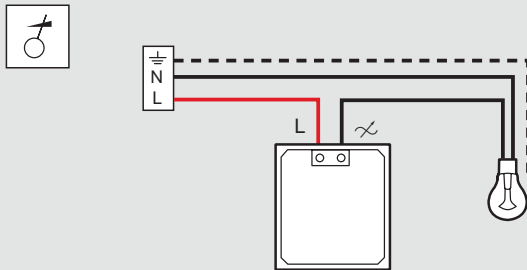
Universal dimmer with neutral

Cat.Nos 5722 39/5727 39/5743 19/5743 39



Light dimmer

Cat.Nos 5734 62, 5736 62

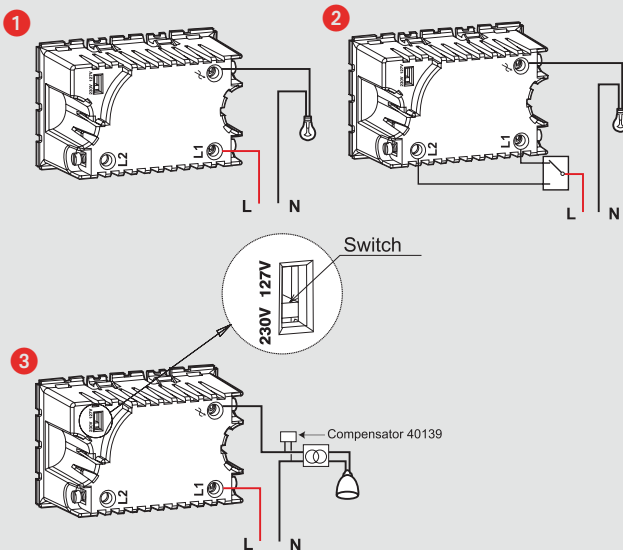


Rotary Dimmer

Cat.Nos 5722 40/5727 40, 5735 01/5737 01

Wiring

- 1 way connection (sketch 1)
- Double-way connection (sketch 2)
- In extra low voltage halogen with ferromagnetic transfers (sketch 3)



Important : There is a switch of rated voltage on the upper right corner of the base and it is set on the position 230 V, when the rated voltage is 127 V, the switch should be set on the position 127 V

Technical data

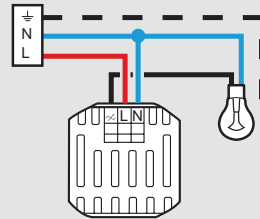
Automatic switches

Cat.Nos 5740 97/5740 94/5740 47/5740 34

Connection

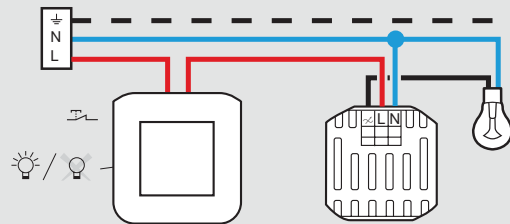
terminal type: Cage-type connector
Terminal capacity: 2 x 1.5 mm² or 1 x 2.5 mm²
Screwdriver: Flat-blade 3.5 mm

Mounting with a switch



Connect the neutral on Cat.Nos 5740 47/5740 97

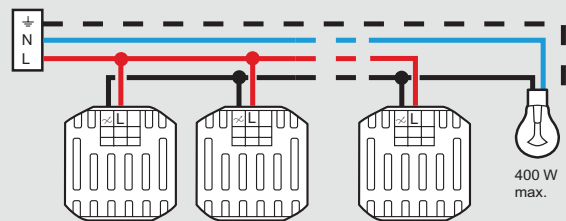
Mounting with offset pushbutton (closing-type):



Connect the neutral on Cat.Nos 5740 47/5740 97.

Mounting with several combined switches:

Cat.Nos 5720 52/5740 62 (without neutral)



Only possible with incandescent loads.
Comply with the minimum load: 40 W multiplied by the number of inputs.

Comply with the maximum load: 400 W

Cat.Nos 5720 53/5740 61 (with neutral)

