

P 17 Tempra IP 44 - LV 16A

schuko sockets



0577 21



0577 22



0573 00



Technical characteristics (p. 490)

Schuko std. sockets

IK 09 according to IEC/EN 62262

IP 44 connected

IP 54 cover closed

Material: plastic

Self-extinguishing: 850 °C (support of active parts) / 650-°C (plastic housing)

Temp. rating: - 50 °C to + 80 °C

Panel mounting sockets

Pack	Cat.Nos	Can be fixed on faceplate
20	Schuko standard 16 A 0576 72	200/250 V~ 2 P + ⊕

Panel mounting sockets with small flange

Pack	Cat.Nos	Cannot be fixed on pre-drilled faceplate
20	0576 70	200/250 V~ 2 P + ⊕ (colour: blue)
20	0576 69	2 P + ⊕ (colour: white)

Flush mounting boxes

Pack	Cat.Nos	IP 55 For panel mounting inclined outlet installation (IP 44 or IP)
3	0577 21	For 2 panel mounting sockets With single fixing centres 70 x 70 mm - 16 A
3	0577 22	For 1 panel mounting socket With single fixing centres 70 x 70 mm - 16 or 32 A (32 A to be fixed horizontally)

Bases with mechanical super-compact sockets

1	0573 00	16A 2P+E IP44 interlock
1	0573 02	16A 3P+N+E IP44 interlock
1	0573 20	16A 2P+E IP55 interlock
1	0573 22	16 A 3P+N+E IP55 interlock
2	0577 23	Mounting plate for 2 super-compact mechanical interlock sockets

P17 IP44, 54, 66/67 - LV 16-125A

Combined Unit - Interlock Switch Sockets & refrigerated container use



6571 06

- Conforming to IEC 60695-1/60695-2
- Material - Plastic
- IK 08 as per IEC 62262
- Selfextinguishing : 750 C
- IEC/EN 62262 (refrigerated container use)

Pack	Cat. nos.		Combined units
	16 A	32 A	
1	0566 01	0566 09	IP44 Interlock Switch Sockets with surface mounting box 250 V, 2P+E 415 V, 3P+E 415 V, 3P+N+E
1	-	0566 13	
1		0566 14	
1	0566 21	0566 29	IP55 Interlock Switch Sockets with surface mounting box 250 V, 2P+E 415 V, 3P+E 415 V, 3P+N+E
1		0566 33	
1		0566 34	
1	0566 41	0566 49	IP44 Interlock Switch Sockets with surface mounting box and din rail for 5 module Lexic protection 250 V, 2P+E 415 V, 3P+E 415 V, 3P+N+E
		0566 53	
		0566 54	
1	0566 61	0566 69	IP66 Interlock Switch Sockets with surface mounting box and din rail for 5 module Lexic protection 250 V, 2P+E 415 V, 3P+E 415 V, 3P+N+E
1		0566 73	
1		0566 74	
		63 A	Combined units
1	0572 98		
1	0589 10		
1	0589 18		IP66 Interlock Switch Sockets with surface mounting box and din rail for 5 module Lexic protection 415 V, 3P+E 415 V, 3P+N+E
1	0572 99		
			Combined units for refrigerated containers
			IP 66/67 plastic P 17 Tempra
			32 A - 440 V~ - 50/60 Hz - 3 P + ⊕ - 3 hours
			IK 09
			Plastic body and cover
			Stainless steel screws
1	6571 06		Combined unit with interlocked switched socket
			Double mechanical interlock
			Cable glands are not supplied
1	6571 26		Straight plug
			With cable grip Ø 12 to 21.5 mm
1	6571 46		Mobile socket
			With cable grip Ø 12 to 21.5 mm

Bold catalogue numbers are products normally available with Legrand (India) stockists.

Cat. nos. that are not bold - delivery within 4 - 8 weeks from the date of order.

Bold packing quantity is our mandatory packing. Orders to be placed by Legrand (India) stockists in multiples of the same.

plugs & sockets - P17 Tempra

16 to 32 A






LV														
			Surface mounting sockets		Panel mounting sockets - inclined		Panel mounting sockets straight		Mobile sockets		Straight Plugs		Angled Plugs	
			IP 44		IP 44		IP 44		IP 44		IP 44		IP 44	
			Cat nos.	Pack	Cat nos.	Pack	Cat nos.	Pack	Cat nos.	Pack	Cat nos.	Pack	Cat nos.	Pack
200 to 250 V ~ 50/60 Hz	16 A / 20 A	2 P + ⊕	0555 53	10	0576 11	5/50	0573 54	5/50	0575 14	10	0574 34	10	0564 53	5/50
	32 A	2 P + ⊕	0555 73	10	0576 12	5/25	0580 54	5/25	0582 14	10	0581 34	10	0564 73	5/50
380 to 415 V ~ 50/60 Hz	16 A / 20 A	3 P + ⊕	0555 57	10	0576 17	5/25	0573 58	5/50	0575 18	10	0574 38	10	0564 57	5/50
		3 P + N + ⊕	0555 58	10	0576 23	5/50	0573 59	5/50	0575 19	10	0574 39	10	0564 58	5/50
	32 A	3 P + ⊕	0555 77	10	0576 18	5/25	0580 58	5/50	0582 18	10	0581 38	10	0564 77	5/50
		3 P + N + ⊕	0555 78	10	0576 24	5/25	0580 59	5/25	0582 19	10	0581 39	10	0564 78	5/50

◇ - With isometric threaded cable entries : 16 A = M 20, 32 A = M 25, 63 A = M 32.

* In IEC 38, the network voltage value of 230/400 V AC has been standardised. This value should progressively supercede the values of 220/380 V AC and 240/415 V AC. Wherever there is a reference to 230 V or 400 V, they may be read as 220 V or 240 V and 380 V or 415 V respectively.

plugs & sockets - interlocked switched sockets

16 to 63 A

LV														
			Surface mounting				Surface mounting				Surface mounting without protection			
			Without protection 125 X 220 mm				With din rail 125 X 280 mm				Panel mounting 125 x 220 mm			
			IP 44		IP 55		IP 44		IP 66		IP 55			
Cat nos.	Pack	Cat nos.	Pack	Cat nos.	Pack	Cat nos.	Pack	Cat nos.	Pack	Cat nos.	Pack			
200 to 250 V ~ 50 Hz	16 A / 20 A	2 P + ⊕	0566 01	1	0566 21	1	0566 41	1	0566 61	1	0572 21	1		
	32 A	2 P + ⊕	0566 09	1	0566 29	1	0566 49	1	0566 69	1	0572 29	1		
380 to 415 V ~ 50 Hz	32 A	3 P + ⊕	0566 13	1	0566 33	1	0566 53	1	0566 73	1	0572 33	1		
		3 P + N + ⊕	0566 14	1	0566 34	1	0566 54	1	0566 74	1	0572 34	1		
380 to 415 V ~ 50/60 Hz	63 A	3 P + ⊕												
			125 x 421 mm		125 x 501 mm									
		IP 66		IP 66										
		Cat nos.	Pack	Cat nos.	Pack									
		3 P + N + ⊕	0572 98	1	0589 18	1								
		3 P + N + ⊕	0589 10	1	0572 99	1								

Bold catalogue numbers are products normally available with Legrand (India) stockists.

Cat. nos. that are not bold - delivery within 4 - 8 weeks from the date of order.

Bold packing quantity is our mandatory packing. Orders to be placed by Legrand (India) stockists in multiples of the same.

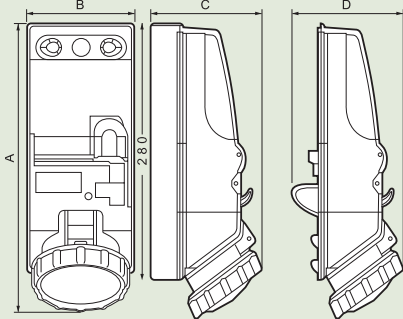
P17 Tempra combined units

P 17 Tempra combined units to be composed

■ Dimensions

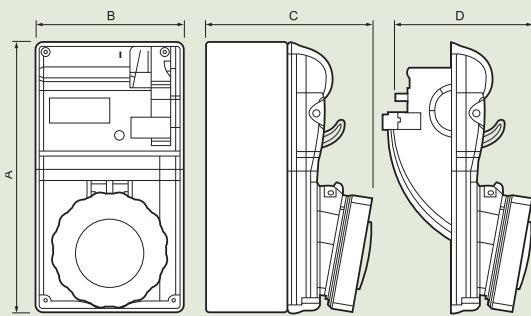
IP 44 according to IEC 60529 and EN 60529
 IP 66 according to IEC 60529 and EN 60529
 IP 55 according to IEC 60529 and EN 60529
 IK 08 according to EN 50102

Interlocked switch sockets with DIN rail



	IP 44 Cat. no	A	B	C	D	IP 66 Cat. no	A	B	C	D
LV 16A										
2P+±	0566 40/41	290	125	155	135	0566 60/61	300	125	155	135
LV 32A										
2P+±	0566 49	295	125	155	145	0566 69	310	125	155	145
3P+±	0572 53	295	125	155	145	0572 73	310	125	155	145
3P+N+±	0572 54	295	125	155	145	0572 74	310	125	155	144

Interlocked switch sockets without protection

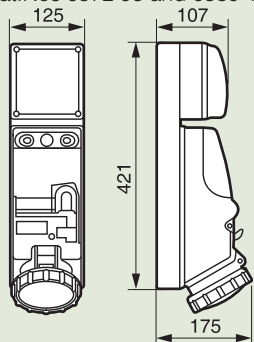


	IP 44 Cat. no	A	B	C	D	IP 55 Cat. no	A	B	C	D
LV 16A										
2P+±	0566 00/01 0572 00/01	220	125	127	122	0566 20/21 0572 20/21	220	125	133	128
3P+N+±	0572 06	220	125	130	125	0572 26	220	125	135	130
LV 32A										
2P+±	0566 09 0572 09	220	125	138	133	0566 29 0572 29	220	125	143	138
3P+±	0566 13 0572 13	220	125	138	133	0566 33 0572 33	220	125	143	138
3P+N+±	0566 14 0572 14	220	125	139	134	0566 34 0572 34	220	125	144	139

IP 66 - LV 63A

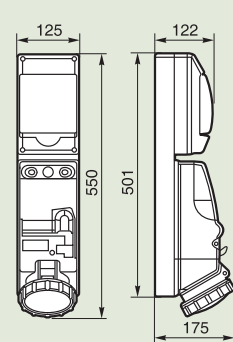
Without protection

Cat. Nos 0572 98 and 0589 10



With empty Din rail -

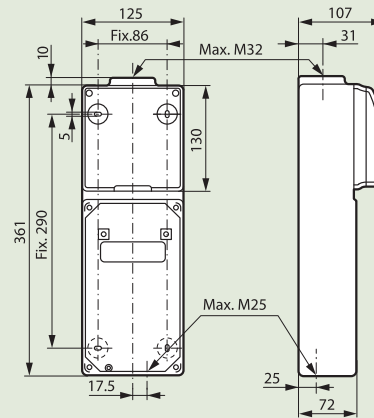
Cat. Nos 0589 18 and 0572 99



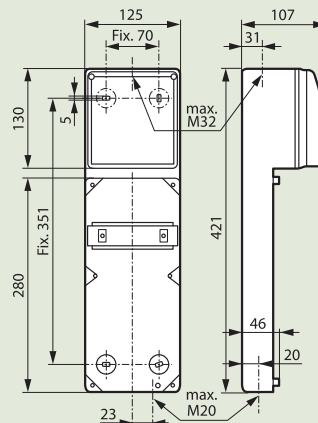
■ Dimensions

Bases

Cat. No 0589 38



Cat. No 0577 20



Cat. No 0577 05

