

## P 17 Tempra combined units LV 16 to 63 A

interlocked switched sockets

| 16-32 A  |         |        | without rail |          |         |          | with empty Din rail |          |         |          |
|--|---------|--------|--------------|----------|---------|----------|---------------------|----------|---------|----------|
| <ul style="list-style-type: none"> <li>• IP 44, IP 55, IP 66 according to IEC 60529 and EN 60529</li> <li>• IK 08 according to IEC 62262</li> <li>• Conform to IEC 60439-1</li> <li>• Supplied without cable glands</li> <li>• Self-extinguishing: 650 °C</li> </ul> |         |        | 125 x 220 mm |          |         |          | 125 x 280 mm        |          |         |          |
|  |         |        | IP 44        |          | IP 55   |          | IP 44               |          | IP 66   |          |
|  |         |        |              |          |         |          |                     |          |         |          |
| Pack   | Cat.Nos | Pack   | Cat.Nos      | Pack     | Cat.Nos | Pack     | Cat.Nos             | Pack     | Cat.Nos |          |
| 200 to 250 V<br>50/60 Hz   | 16 A    | 2P+E   | 1            | 0 566 01 | 1       | 0 566 21 | 1                   | 0 566 41 | 1       | 0 566 61 |
|  | 32 A    | 2P+E   | 1            | 0 566 09 | 1       | 0 566 29 | 1                   | 0 566 49 | 1       | 0 566 69 |
| 380 to 415 V<br>50/60 Hz   | 16 A    | 3P+E   | 1            | 0 566 05 | 1       | 0 566 25 | 1                   | 0 566 45 | 1       | 0 566 65 |
|  |         | 3P+N+E | 1            | 0 566 06 | 1       | 0 566 26 | 1                   | 0 566 46 | 1       | 0 566 66 |
|  | 32 A    | 3P+E   | 1            | 0 566 13 | 1       | 0 566 33 | 1                   | 0 566 53 | 1       | 0 566 73 |
|  |         | 3P+N+E | 1            | 0 566 14 | 1       | 0 566 34 | 1                   | 0 566 54 | 1       | 0 566 74 |

| 63 A   |      |        | with empty Din rail |          |
|--|------|--------|---------------------|----------|
| <ul style="list-style-type: none"> <li>• IP 66 according to IEC 60529 and EN 60529</li> <li>• IK 08 according to IEC 62262</li> <li>• Conform to IEC 60439-1</li> <li>• Supplied without cable glands</li> <li>• Self-extinguishing: 650 °C</li> </ul> |      |        |                     |          |
|  |      |        | Pack                | Cat.Nos  |
| 380 to 415 V<br>50/60 Hz   | 63 A | 3P+E   | 1                   | 0 589 18 |
|  |      | 3P+N+E | 1                   | 0 572 99 |

110 V combined units  
Please consult us

Interlocked switched sockets with small flange **p. 342**

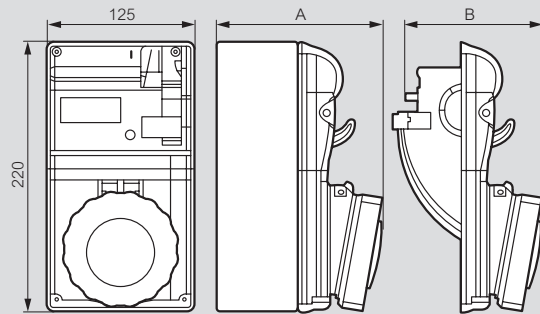


## P 17 Tempra combined units LV 16 to 63 A

interlocked switched sockets

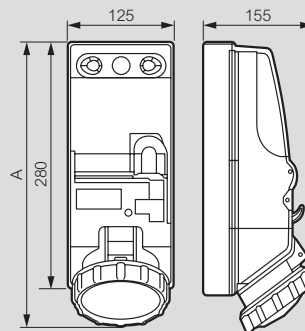
### Dimensions

Without rail  
LV 16/32 A



|         | IP 44<br>Cat.Nos | Dimensions (mm) |     | IP 55<br>Cat.Nos | Dimensions (mm) |     |     |
|---------|------------------|-----------------|-----|------------------|-----------------|-----|-----|
|         |                  | A               | B   |                  | A               | B   |     |
| LV 16 A | 2P+E             | 0 566 01        | 127 | 122              | 0 566 21        | 133 | 128 |
|         | 3P+E             | 0 566 05        | 129 | 124              | 0 566 25        | 134 | 129 |
|         | 3P+N+E           | 0 566 06        | 130 | 125              | 0 566 26        | 135 | 130 |
| LV 32 A | 2P+E             | 0 566 09        | 138 | 133              | 0 566 29        | 143 | 138 |
|         | 3P+E             | 0 566 13        | 138 | 133              | 0 566 33        | 143 | 138 |
|         | 3P+N+E           | 0 566 14        | 139 | 134              | 0 566 34        | 144 | 139 |

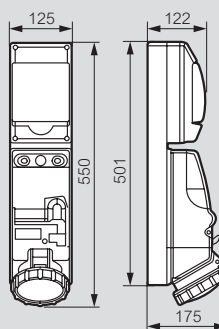
With empty Din rail  
LV 16/32 A



|         | A     |       |
|---------|-------|-------|
|         | IP 44 | IP 66 |
| LV 16 A | 290   | 300   |
| LV 32 A | 295   | 310   |

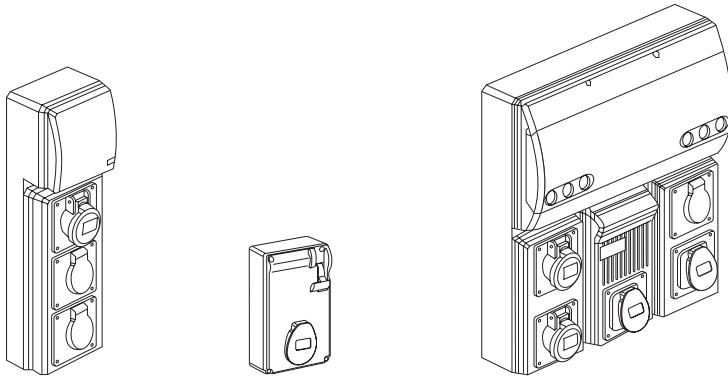
LV 63 A

Cat.Nos 0 589 18 and 0 572 99



# P17 combined units

Cat. Nos: 566 XX - 572 XX - 577 XX - 589 XX



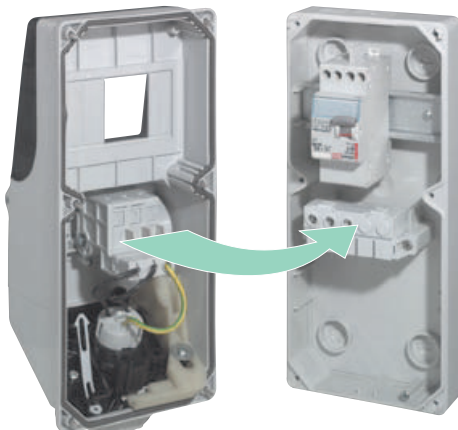
| CONTENTS                           | Page  |
|------------------------------------|-------|
| 1. Description .....               | 1     |
| 2. Use .....                       | 1     |
| 3. Range .....                     | 1-4   |
| 4. Dimensions .....                | 4-9   |
| 5. Connection .....                | 9     |
| 6. Technical characteristics ..... | 9-10  |
| 7. Wiring diagrams .....           | 11-15 |
| 8. Standards .....                 | 16    |
| 9. Accessories .....               | 16    |

## 1. DESCRIPTION

- Product for distributing power close to equipment
- Supply of several current types (amps/volts) for industrial and/or domestic pin configuration
- Power supply for one or more devices
- Protection of users and circuits:
  - off-load connection and disconnection provided by units equipped with switched socket with double mechanical interlock
  - protection by MCB, RCBO, RCD (RCCB)
- Material: plastic
- Colour: RAL 7035
- IK08
- IP44, IP55, IP66

## 2. USE

- Switch with double mechanical interlock:
  - 1st interlock: switch cannot be turned on unless a plug has been inserted
  - 2nd interlock: plug cannot be removed when the switch is on
- Marking of the switch ON and OFF positions
- Transparent window to view protection devices
- Cable entries to be drilled
- Equipped or to be equipped with panel mounting sockets with standard fixing centres (70 x 70)
- Plug-in system: socket can be wired quickly in the cover independently of the box already fixed to the wall



## 3. RANGE

### 3.1 Single socket units

- Single socket units with switch (surface and panel mounting version) 16 and 32 A
- Single socket units with switch and rail (surface and panel mounting version) 16 and 32 A
- Single socket unit 63 A

|       |      |        | Panel mounting socket with switch | Single unit with switch and junction box | Single unit with switch and rail (5 modules) |
|-------|------|--------|-----------------------------------|--|--|
| 400 W | 63 A | 3P+E   | 572 94                            | 572 98                                   | 589 18                                       |
|       |      | 3P+N+E | 572 95                            | 589 10                                   | 572 99                                       |

- Single ELV combined unit

|      |      |    | Panel mounting socket without rail with transformer 150 VA | Panel mounting socket with protection device and transformer 160 VA | Surface mounting socket without rail with transformer 150 VA |
|------|------|----|--|---|--|
| 24 V | 16 A | 2P | 589 26   | 589 25  | 589 27   |

### 3.2 Multi-socket combined units

#### Combined units with 2 IP44 sockets

**Cat. No. 589 20 (can take up to 3 sockets)**

External dimensions: W 265 x H 441 mm

12 Lexic modules max.

- 1 x 16 A 2P 24 V faceplate version socket with transformer 150 VA
- 1 x 16 A 2P+E 230 V IP44 socket
- 1 x blanking plate for a third socket
- 1 x 2-pole MCB 6 A (Cat. No. 064 64 or 407 780)
- 1 x 2-pole MCB 16 A (Cat. No. 064 68 or 407 784)
- 1 x 2-pole MCB 32 A (Cat. No 064 61 or 407 777)

#### Cat. No. 589 21 (can take up to 3 sockets)

External dimensions: W 265 x H 441 mm

12 Lexic modules max.

- 1 x 16 A 2P+E 230 V IP44 socket
- 1 x 32 A 3P+N+E 400 V IP44 socket
- 1 x blanking plate for a third socket
- 1 x 2-pole MCB 16 A (Cat. No. 064 68 or 407 784)
- 1 x 4-pole MCB 32 A (Cat. No. 065 66 or 407 901)

# P17 combined units

Cat. No.(s) : 566 XX - 572 XX - 577 XX - 589 XX

## 3. RANGE (continued)

### Cat. No. 589 30

External dimensions: W 125 x H 371 mm  
5 Lexic modules max.  
2 x 16 A 2P+E 230 V IP44 sockets  
1 x 2-pole MCB 20 A (Cat. No. 064 69 or 407 785)

### Cat. No. 589 31

External dimensions: W 125 x H 371 mm  
5 Lexic modules max.  
2 x 16 A 2P+E 250 V domestic pin configuration sockets  
1 x 2-pole MCB 20 A (Cat. No. 064 69 or 407 785)

### Cat. No. 589 32

External dimensions: W 125 x H 371 mm  
5 Lexic modules max.  
1 x 16 A 2P+E 230 V IP44 socket  
1 x 16 A 3P+E 400 V IP44 socket  
1 x 4-pole MCB 20 A (Cat. No. 065 64 or 407 899)

### Cat. No. 589 37

External dimensions: W 125 x H 371 mm  
5 Lexic modules max.  
1 x 16 A 2P+E 230 V IP44 socket  
1 x 16 A 2P+E 250 V domestic pin configuration socket  
1 x 2-pole MCB 20 A (Cat. No. 064 69 or 407 785)

### Combined units with 3 IP44 sockets

#### Cat. No. 589 33

External dimensions: W 125 x H 421 mm  
5 Lexic modules max.  
2 x 16 A 2P+E 250 V domestic pin configuration sockets  
1 x 16 A 2P+E 230 V IP44 socket  
1 x 2-pole MCB 20 A (Cat. No. 064 69 or 407 785)

#### Cat. No. 589 34 (can take up to 4 sockets)

External dimensions: W 265 x H 441 mm  
12 Lexic modules max.  
2 x 16 A 2P+E 250 V domestic pin configuration sockets  
1 x 16 A 2P+E 230 V IP44 socket  
1 x 2-pole MCB 20 A (Cat. No. 064 69 or 407 785)  
1 x blanking plate for a fourth socket

### Combined unit with 4 IP44 sockets

#### Cat. No. 589 35 (can take up to 5 sockets)

External dimensions: W 265 x H 501 mm  
12 Lexic modules max.  
2 x 16 A 2P+E 250 V domestic pin configuration sockets  
1 x 16 A 2P+E 230 V IP44 socket  
1 x 32 A 3P+E 400 V IP44 socket  
1 x 2-pole MCB 20 A (Cat. No. 064 69 or 407 785)  
1 x 3-pole MCB 32 A (Cat. No. 064 91 or 407 832)  
1 x 4-pole RCCB 63 A (Cat. No. 086 95 or 411 662)  
1 x blanking plate for a fifth socket

#### Cat. No. 589 36 (can take up to 5 sockets)

External dimensions: W 265 x H 501 mm  
12 Lexic modules max.  
2 x 16 A 2P+E 250 V domestic pin configuration sockets  
1 x 16 A 2P+E 230 V IP44 socket  
1 x 32 A 3P+N+E 400 V IP44 socket  
1 x 2-pole MCB 20 A (Cat. No. 064 69 or 407 785)  
1 x 4-pole MCB 32 A (Cat. No. 065 66 or 407 901)  
1 x 4-pole RCCB 63 A (Cat. No. 086 95 or 411 662)  
1 x blanking plate for a fifth socket

## 3. RANGE (continued)

### Combined units with 5 IP44 sockets

#### Cat. No. 589 22

External dimensions: W 405 x H 441 mm  
18 Lexic modules max.  
1 x 16 A 2P 24 V ELV socket  
1 x 16 A 2P 24 V ELV socket with transformer 150 VA  
1 x 16 A 2P+E 250 V domestic pin configuration socket  
1 x 16 A 2P+E 230 V IP44 socket  
1 x 16 A 3P+E 400 V IP44 socket  
1 x 4-pole RCCB 40 A (Cat. No. 086 94 or 411 661)  
1 x 2-pole MCB 6 A (Cat. No. 064 64 or 407 780)  
1 x 3-pole MCB 16 A (Cat. No. 064 88 or 407 829)  
1 x 2-pole MCB 2 A (Cat. No. 064 61 or 407 777)  
1 x 2-pole MCB 20 A (Cat. No. 064 69 or 407 785)

### 3.3 Multi-socket combined units with faceplates

To be equipped with 16 A sockets with standard fixing centres (70 x 70) only or domestic pin configuration sockets 576 71 and 576 72.

| Cat. Nos. | No. of modules | Characteristics      | Ext. dim. (HxW) |
|-----------|----------------|----------------------|-----------------|
| 577 07    | 5              | for 3 x 16 A sockets | 421 x 125       |
| 577 08    | 12             | for 4 x 16 A sockets | 441 x 265       |
| 577 09    | 18             | for 6 x 16 A sockets | 441 x 405       |

### 3.4 Self assembly combined units: bases for junctions

| Cat. Nos. | Characteristics  | Ext. dim. (HxW) |
|-----------|--|-----------------|
| 577 00    | for 1 interlocked socket or 1 faceplate<br>280 x 125   | 421 x 125       |
| 577 01    | for 2 interlocked sockets or 2 faceplates<br>280 x 125 | 501 x 265       |
| 577 02    | for 3 interlocked sockets or 3 faceplates<br>280 x 125 | 501 x 405       |

Note: Some Cat. Nos. in this range will only be sold until stocks run out.

### 3.5 Combined unit for use in refrigerated containers

#### Cat. No. 657 106

Combined unit 3P+E 32 A 440 V - earth at 3 o'clock - with switch and IP 66/67 socket outlet

Perishable goods are transported in refrigerated containers by road, sea and rail all over the world. The power is supplied by a combined unit designed for use in refrigerated containers by long haulage companies (container terminals, transit areas, railway stations, ports, airports, warehouses, ships, etc.).

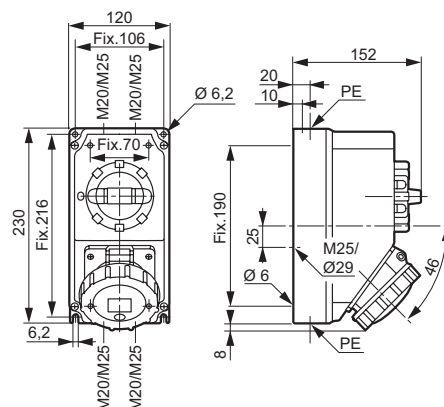
#### Associated mobile products:

Plug: ..... 657 126

Mobile socket: ..... 657 146

#### Associated fixed product:

Panel mounting socket: ..... 657 116



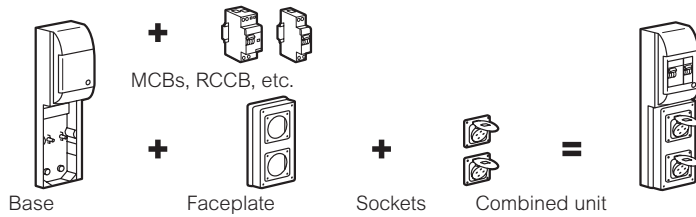
# P17 combined units

Cat. Nos.: 566 XX - 572 XX - 577 XX - 589 XX

## 3. RANGE (continued)





### 3.5 Self assembly combined units: bases and boxes

#### Example configuration of a combined unit







#### COMBINED UNITS HEIGHT 220 MM TO 441 MM

##### BASES FOR 220 X 125 MM FACEPLATES

| Surface mounting box   | Base for up to 2 x 16 A sockets  | Base for up to 4 x 16 A sockets  | Base for up to 6 x 16 A sockets  |
|--|--|--|--|
|  |  |  |  |
| 220 x 125 mm <sup>(5)</sup>  | 371 x 125 mm <sup>(5)</sup><br>5-module DIN rail                                   | 441 x 265 mm <sup>(5)</sup><br>13-module DIN rail                                  | 441 x 405 mm <sup>(5)</sup><br>20-module DIN rail                                  |
| Pack   | Cat. No  | Pack   | Cat. No  |
| 1  | 0 577 10 <sup>(7)</sup>  | 1  | 0 589 38 <sup>(7)</sup>  |





Take wall mounting lugs  
Cat. No. 0 019 69

##### 220 X 125 MM FACEPLATES

| 1 x 16 or 32 A socket   | 2 x 16 A sockets   | 1 x 63 A socket  | Plain plate  |
|---|--|--|--|
|  |  |  |  |
| Pack  | Cat. No  | Pack   | Cat. No  |
| 5   | 0 577 12   | 5  | 0 577 13 <sup>(2)</sup>  |





#### COMBINED UNITS HEIGHT 280 MM TO 501 MM

##### BASES FOR 280 X 125 MM FACEPLATES

| Surface mounting box  | Base for up to 3 x 16 A sockets   | Base for up to 6 x 16 A sockets   | Base for up to 9 x 16 A sockets   |
|---|---|---|---|
|  |  |  |  |
| 280 x 125 mm <sup>(5)</sup>   | 421 x 125 mm <sup>(5)</sup><br>5-module DIN rail                                    | 501 x 265 mm <sup>(5)</sup><br>13-module DIN rail                                   | 501 x 405 mm <sup>(5)</sup><br>20-module DIN rail                                   |
| Pack  | Cat. No   | Pack  | Cat. No   |
| 3   | 0 577 11 <sup>(7)</sup>   | 1   | 0 577 20 <sup>(7)</sup>   |

Take wall mounting lugs  
Cat. No. 0 019 69

##### 280 X 125 MM FACEPLATES

| 2 x 16 A or 32 A sockets   | 1 x 16 or 32 A socket and 1 x 63 A socket   | 3 x 16 A sockets <sup>(3)</sup>   | Plain plate   |
|--|---|---|---|
|  |  |  |  |
| Pack   | Cat. No   | Pack  | Cat. No   |
| 4  | 0 577 18 <sup>(2)</sup>   | 2   | 0 577 19 <sup>(2)</sup>   |

(1) Can take a key-operated lock Cat. No. 0 577 35 - (2) Supplied with blanking plate

(3) To be mounted horizontally except 16 A domestic pin sockets which must be mounted vertically (IP44 with plug inserted)

(4) IP 54 cover closed - IP 44 connected (5) External dimensions: H x W - (6) For faceplate Cat. No. 0 577 17/19

(7) Can be pole-mounted using kit Cat. No. 0 364 46/47/48/49 (see data sheet in e-catalogue for compatibility) - (8) See 1 + 7 - (9) Wiring required for pilot wire

# P17 combined units

Cat. No.(s) : 566 XX - 572 XX - 577 XX - 589 XX

## 3. RANGE (continued)

### 3.6 Most common combinations

#### Possible combinations with bases for 220 x 120 mm faceplates

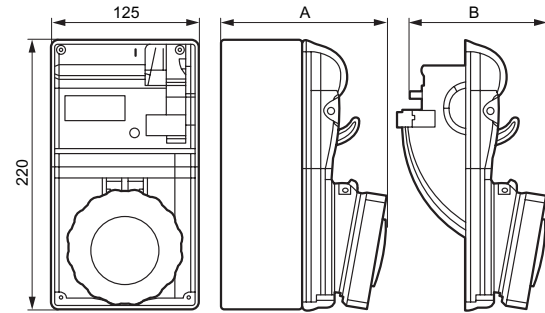
| Bases                      | Total number of sockets   | Possible socket combinations     | Choice of faceplate according to socket rating |              |              |
|----------------------------|---------------------------|----------------------------------|--|--------------|--------------|
|                            |                           |                                  | 16 A   | 32 A         | 63 A         |
| 0 577 10<br>or<br>0 589 38 | 1                         | 1 x 16 A or 1 x 32 A or 1 x 63 A | 0 577 12                                       | 0 577 12     | 0 577 17     |
|                            | 2                         | 2 x 16 A interlocked socket      | 0 577 13                                       | -            | -            |
| 0 577 05                   | 2                         | 2 x 16 A or 2 x 32 A or 2 x 63 A | 0 577 12 x 2                                   | 0 577 12 x 2 | 0 577 17 x 2 |
|                            |                           | 1 x 16 A + 1 x 32 A              | 0 577 12                                       | 0 577 12     | -            |
|                            | 1 x 16 or 32 A + 1 x 63 A | 0 577 12                         | -  | 0 577 17     |              |
|                            | 3                         | 3 x 16 A                         | 0 577 12 + 0 577 13                            | -            | -            |
|                            |                           | 2 x 16 A + 1 x 32 A              | 0 577 13                                       | 0 577 12     | -            |
| 4                          | 2 x 16 A + 1 x 63 A       | 0 577 13                         | -  | 0 577 17     |              |
|                            | 4 x 16 A                  | 0 577 13 x 2                     | -  | -            |              |
| 0 577 06                   | 3                         | 3 x 16 A or 3 x 32 A or 3 x 63 A | 0 577 12 x 3                                   | 0 577 12 x 3 | 0 577 17 x 3 |
|                            |                           | 1 x 16 or 32 A + 2 x 63 A        | 0 577 12                                       | -            | 0 577 17 x 2 |
|                            |                           | 2 x 16 or 32 A + 1 x 63 A        | 0 577 12 x 2                                   | -            | 0 577 17     |
|                            | 4                         | 2 x 16 A + 1 x 32 A + 1 x 63 A   | 0 577 13                                       | 0 577 12     | 0 577 17     |
|                            |                           | 2 x 16 A + 2 x 32 A              | 0 577 13                                       | 0 577 12 x 2 | -            |
|                            | 5                         | 2 x 16 A + 2 x 63 A              | 0 577 13                                       | -            | 0 577 17 x 2 |
|                            |                           | 4 x 16 A + 1 x 32 A              | 0 577 13 x 2                                   | 0 577 12     | -            |
|                            | 6                         | 4 x 16 A + 1 x 63 A              | 0 577 13 x 2                                   | -            | 0 577 17     |
|                            |                           | 16 A                             | 0 577 13 x 3                                   | -            | -            |

#### Possible combinations with bases for 280 x 125 mm faceplates

| Bases                      | Total number of sockets   | Possible socket combinations         | Choice of faceplate according to socket rating |      |      |
|----------------------------|---------------------------|--------------------------------------|--|------|------|
|                            |                           |                                      | 16 A   | 32 A | 63 A |
| 0 577 11<br>or<br>0 577 20 | 2                         | 2 x 16 A or 2 x 32 A                 | 0 577 18                                       | -    | -    |
|                            | 3                         | 3 x 16 A                             | 0 577 14                                       | -    | -    |
| 0 577 03                   | 4                         | 4 x 16 A or 4 x 32 A                 | 0 577 18 x 2                                   | -    | -    |
|                            |                           | 2 x 16 or 32 A + 2 x 63 A            | 0 577 19 x 2                                   | -    | -    |
|                            | 5                         | 3 x 16 or 32 A + 1 x 63 A            | 0 577 18 + 0 577 19                            | -    | -    |
|                            |                           | 3 x 16 A + 1 x 16 or 32 A + 1 x 63 A | 0 577 14 + 0 577 19                            | -    | -    |
| 0 577 04                   | 6                         | 3 x 16 A + 2 x 16 or 32 A            | 0 577 14 + 0 577 18                            | -    | -    |
|                            |                           | 6 x 16 A or 32 A                     | 0 577 18 x 3                                   | -    | -    |
|                            |                           | 3 x 16 or 32 A + 3 x 63 A            | 0 577 19 x 3                                   | -    | -    |
|                            | 7                         | 5 x 16 or 32 A + 1 x 63 A            | 0 577 18 x 2 + 0 577 19                        | -    | -    |
|                            |                           | 4 x 16 or 32 A + 2 x 63 A            | 0 577 18 + 0 577 19 x 2                        | -    | -    |
|                            | 8                         | 3 x 16 A + 2 x 16 or 32 A + 2 x 63 A | 0 577 14 + 0 577 19 x 2                        | -    | -    |
|                            |                           | 3 x 16 A + 4 x 16 or 32 A            | 0 577 14 + 0 577 18 x 2                        | -    | -    |
|                            | 9                         | 3 x 16 A + 3 x 16 or 32 A + 1 x 63 A | 0 577 14 + 0 577 18 + 0 577 19                 | -    | -    |
|                            |                           | 6 x 16 A + 1 x 16 or 32 A + 1 x 63 A | 0 577 14 x 2 + 0 577 19                        | -    | -    |
|                            | 6 x 16 A + 2 x 16 or 32 A | 0 577 14 x 2 + 0 577 18              | -  | -    |      |
| 16 A                       | 0 577 14 x 3              | -                                    | -  |      |      |

## 4. DIMENSIONS

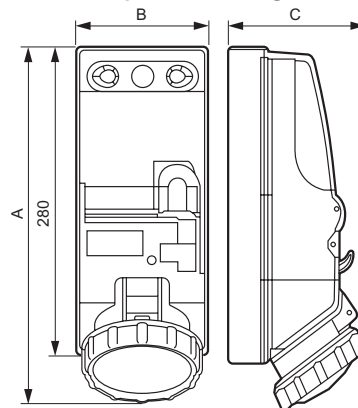
### Surface or panel mounting 16/32 A single unit with switch



|            | IP 44<br>Cat. No. | Dimensions (mm) |     | IP 55<br>Cat. No. | Dimensions (mm) |     |     |
|------------|-------------------|-----------------|-----|-------------------|-----------------|-----|-----|
|            |                   | A               | B   |                   | A               | B   |     |
| LV<br>16 A | 2P+E              | 566 01          | 127 | 122               | 566 21          | 133 | 128 |
|            | 3P+E              | 566 05          | 129 | 124               | 566 25          | 134 | 129 |
|            | 3P+N+E            | 566 06          | 130 | 125               | 566 26          | 135 | 130 |
| LV<br>32 A | 2P+E              | 566 09          | 138 | 133               | 566 29          | 143 | 138 |
|            | 3P+E              | 566 13          | 138 | 133               | 566 33          | 143 | 138 |
|            | 3P+N+E            | 566 14          | 139 | 134               | 566 34          | 144 | 139 |

Refer to these dimensions for similar Cat. Nos.

### Surface or panel mounting 16/32 A single unit with rail and switch

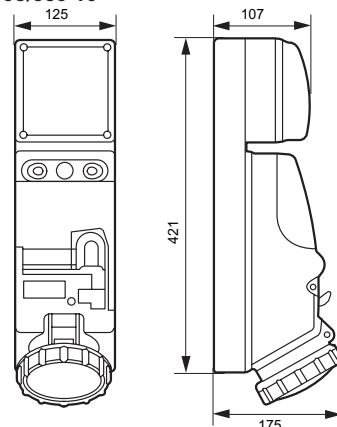


|            | IP 44<br>Cat. No. | Dimensions (mm) |     |     | IP 55<br>Cat. No. | Dimensions (mm) |     |     |     |
|------------|-------------------|-----------------|-----|-----|-------------------|-----------------|-----|-----|-----|
|            |                   | A               | B   | C   |                   | A               | B   | C   |     |
| LV<br>16 A | 2P+E              | 566 40/41       | 290 | 125 | 155               | 566 60/61       | 300 | 125 | 155 |
|            | 3P+E              | 566 45          | 290 | 125 | 155               | 566 65          | 300 | 125 | 155 |
|            | 3P+N+E            | 566 46          | 290 | 125 | 155               | 566 66          | 300 | 125 | 155 |
| LV<br>32 A | 2P+E              | 566 49          | 295 | 125 | 155               | 566 69          | 310 | 125 | 155 |
|            | 3P+E              | 566 53          | 295 | 125 | 155               | 566 73          | 310 | 125 | 155 |
|            | 3P+N+E            | 566 54          | 295 | 125 | 155               | 566 74          | 310 | 125 | 155 |

Refer to these dimensions for similar Cat. Nos.

### Surface mounting 63 A single unit with switch (without rail)

Cat. Nos 572 98/589 10

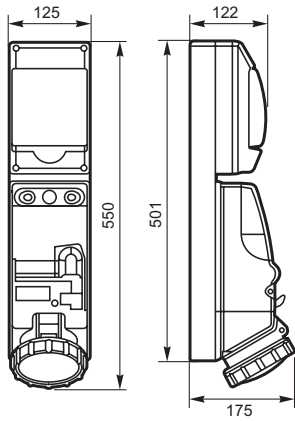


# P17 combined units

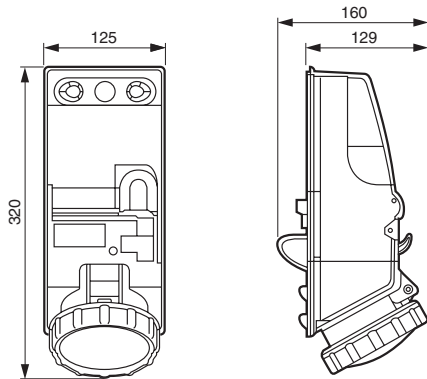
Cat. No.(s) : 566 XX - 572 XX - 577 XX - 589 XX

## 4. DIMENSIONS (continued)

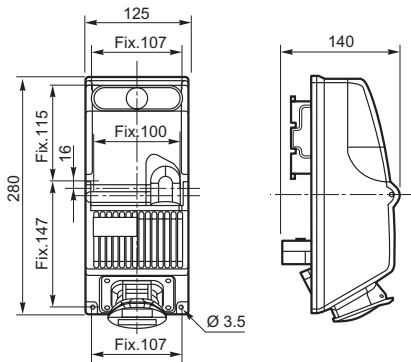
Surface mounting 63 A single unit with switch and rail  
Cat. Nos. 572 99/589 18



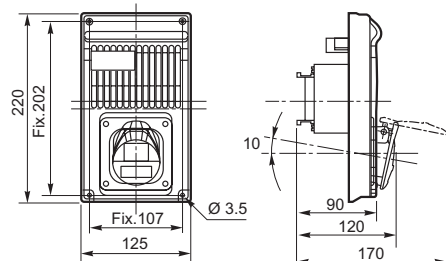
Panel mounting 63 A single unit with switch  
Cat. Nos. 572 94/95



ELV sockets and combined units  
Cat. No. 589 25

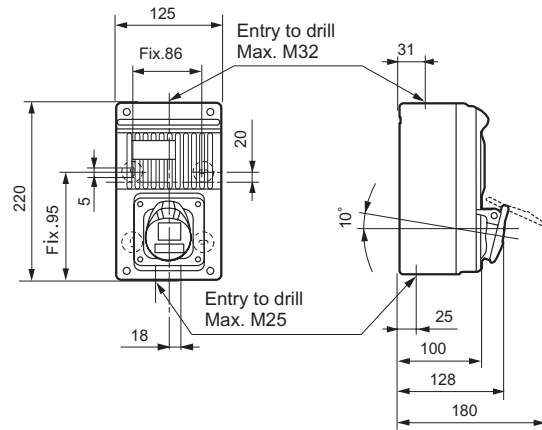


Cat. No. 589 26

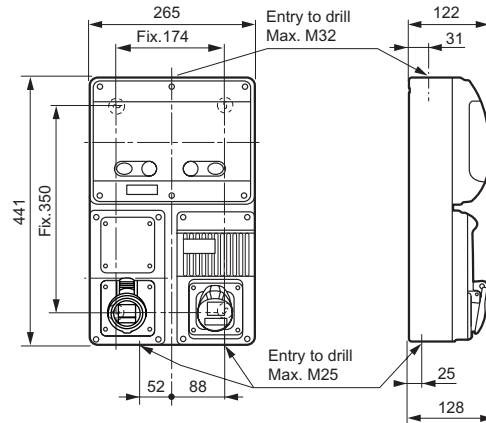


## 4. DIMENSIONS (continued)

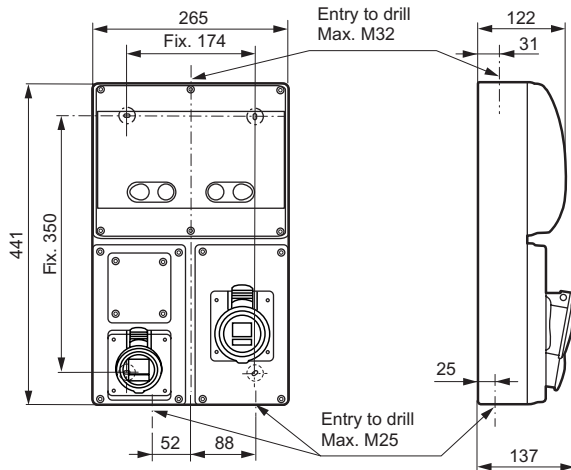
Cat. No. 589 27



2 sockets with MCB and transformer  
Cat. No. 589 20



2 sockets with MCB  
Cat. No. 589 21





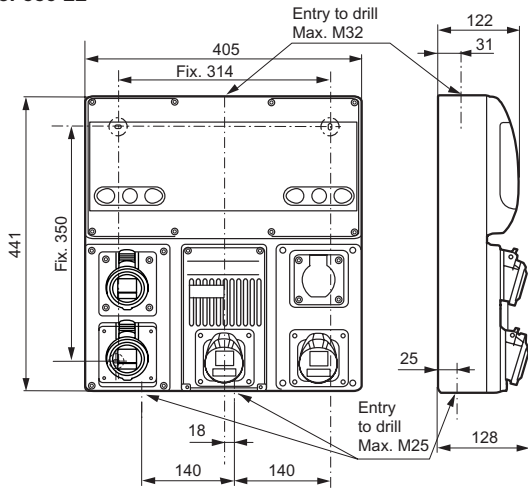
# P17 combined units

Cat. No.(s) : 566 XX - 572 XX - 577 XX - 589 XX

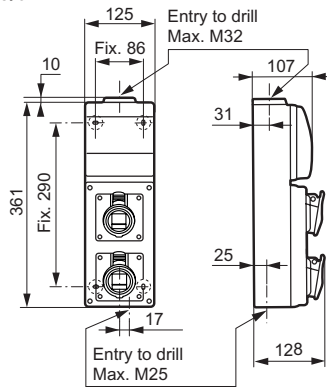
## 4. DIMENSIONS (continued)

5 sockets with MCB + RCCB + transformer

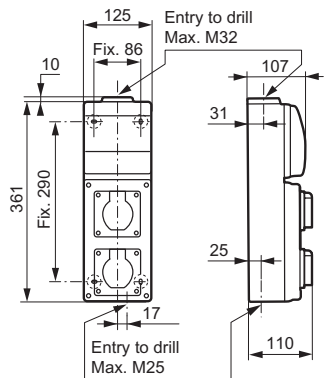
Cat. No. 589 22



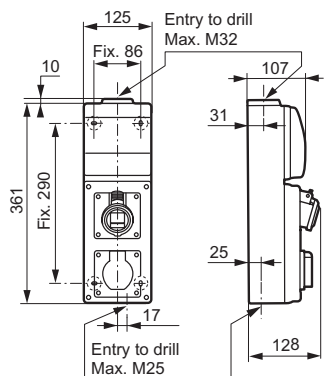
2 sockets with MCB  
Cat. Nos. 589 30/32



Cat. No. 589 31



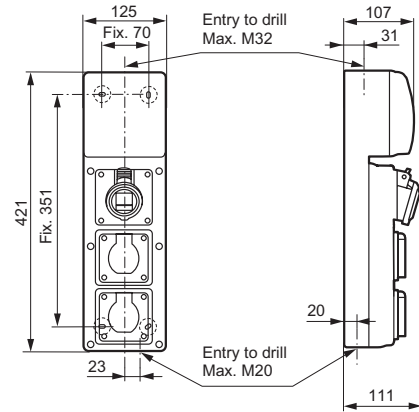
Cat. No. 589 37



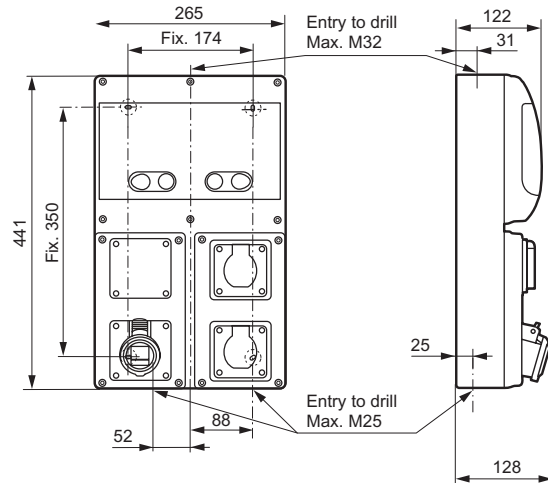
## 4. DIMENSIONS (continued)

3 sockets with MCB

Cat. No. 589 33

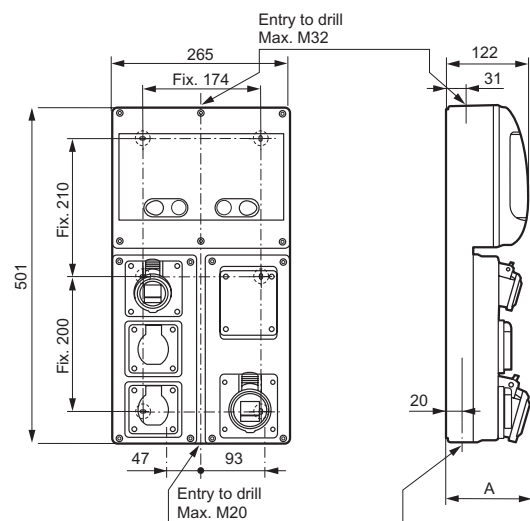


Cat. No. 589 34



4 sockets with MCB and RCCB

Cat. Nos. 589 35/36



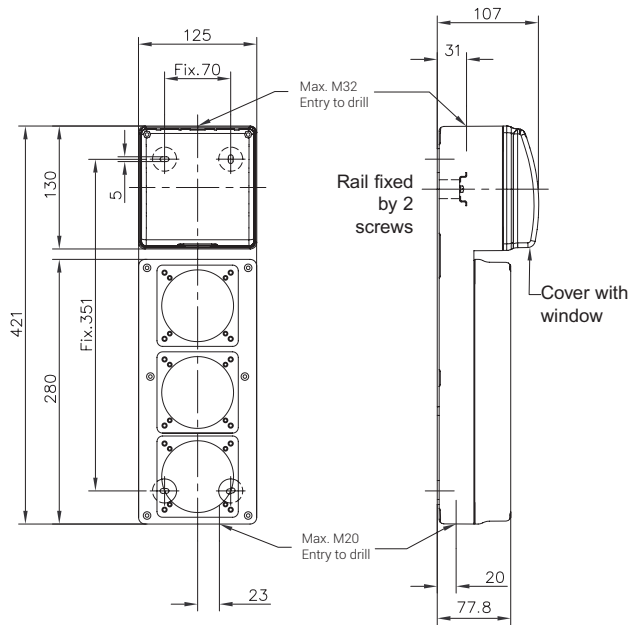
|        | A   |
|--------|-----|
| 589 35 | 119 |
| 589 36 | 120 |

# P17 combined units

Cat. No.(s) : 566 XX - 572 XX - 577 XX - 589 XX

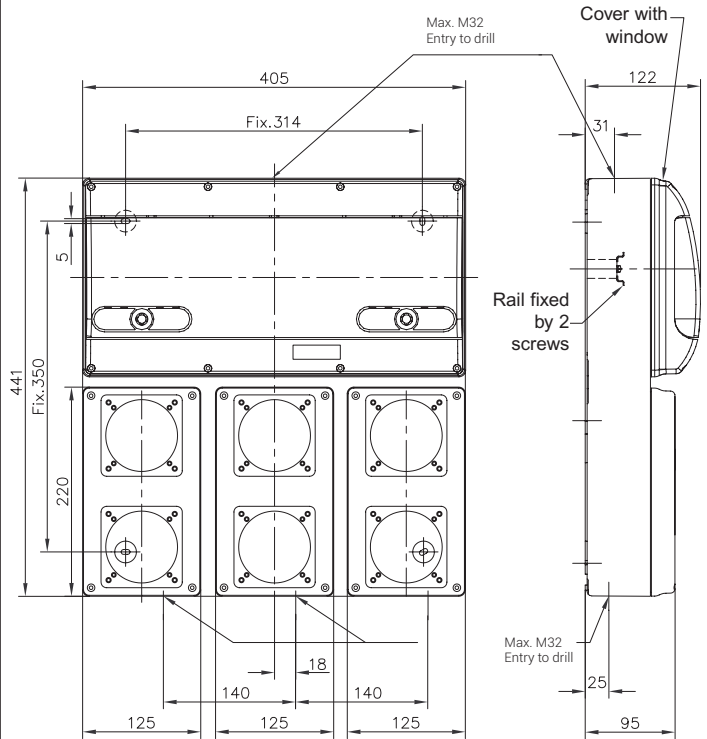
## 4. DIMENSIONS (continued)

Multi-socket combined units equipped with faceplates  
Cat. No. 577 07

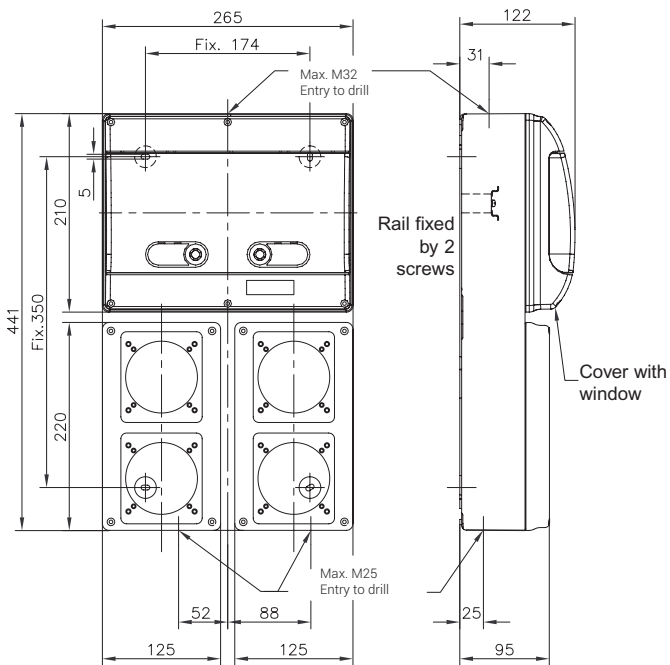


## 4. DIMENSIONS (continued)

Cat. No. 577 09



Cat. No. 577 08





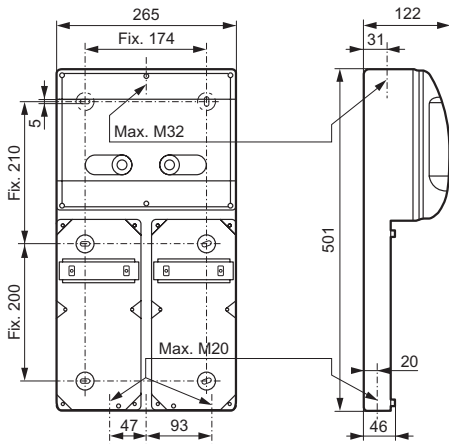
# P17 combined units

Cat. No.(s) : 566 XX - 572 XX - 577 XX - 589 XX

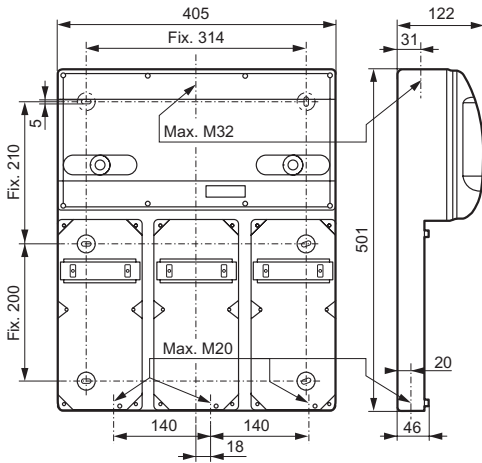
## 4. DIMENSIONS (continued)

### Bases

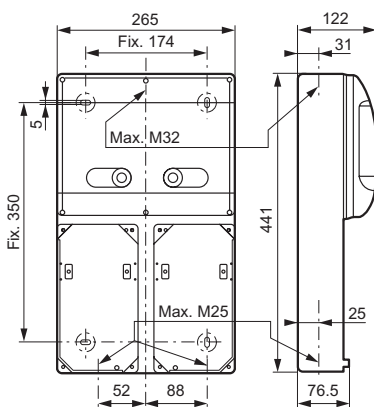
Cat. Nos. 577 01/03



Cat. Nos. 577 02/04

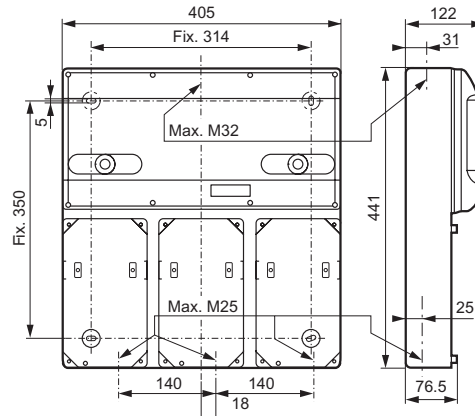


Cat. No. 577 05

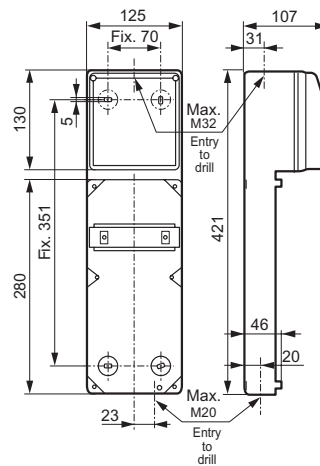


## 4. DIMENSIONS (continued)

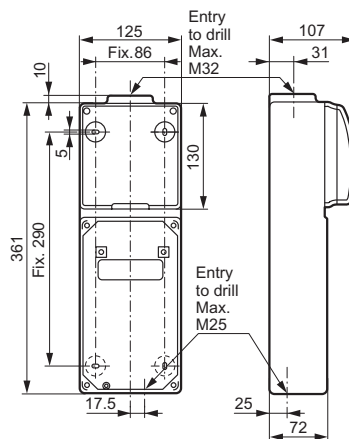
Cat. No. 577 06



Cat. Nos. 577 00/20



Cat. No. 589 38





## 6. TECHNICAL CHARACTERISTICS

### 6.5 Operating temperatures

- With mechanical interlock only: -20 °C/+100 °C
- With protection (MCB/RCCB): -15 °C/+40 °C

Reminder of circuit breaker derating according to ambient temperature.

A standardised circuit breaker is adjusted to operate at In at an ambient temperature of 30 °C.

The nominal characteristics of this device are modified according to the ambient temperature inside the cabinet or the enclosure where the circuit breaker is located.

| In    | Ambient temperature/IM |      |       |       |       |       |
|-------|------------------------|------|-------|-------|-------|-------|
|       | -10 °C                 | 0    | 10 °C | 20 °C | 30 °C | 40 °C |
| 0.5 A | 0.6                    | 0.57 | 0.55  | 0.52  | 0.5   | 0.47  |
| 0.8 A | 0.96                   | 0.92 | 0.88  | 0.84  | 0.8   | 0.76  |
| 1 A   | 1.17                   | 1.1  | 1.07  | 1.03  | 1     | 0.97  |
| 2 A   | 2.34                   | 2.21 | 2.14  | 2.06  | 2     | 1.94  |
| 3 A   | 3.5                    | 3.36 | 3.24  | 3.12  | 3     | 2.88  |
| 4 A   | 4.7                    | 4.44 | 4.28  | 4.12  | 4     | 3.88  |
| 6 A   | 7                      | 6.6  | 6.4   | 6.18  | 6     | 5.8   |
| 8 A   | 9.6                    | 9.2  | 8.8   | 8.4   | 8     | 7.6   |
| 10 A  | 11.5                   | 11.1 | 10.7  | 10.3  | 10    | 9.7   |
| 13 A  | 15                     | 14.3 | 13.9  | 13.4  | 13    | 12.6  |
| 16 A  | 18.7                   | 18   | 17.3  | 16.6  | 16    | 15.4  |
| 20 A  | 23.2                   | 22.4 | 21.6  | 20.8  | 20    | 19.2  |
| 25 A  | 29.5                   | 28.3 | 27.2  | 26    | 25    | 24    |
| 32 A  | 37.8                   | 36.5 | 34.9  | 33.3  | 32    | 30.7  |
| 40 A  | 48                     | 46   | 44    | 42    | 40    | 38    |
| 50 A  | 60                     | 57.5 | 55    | 52.5  | 50    | 47.5  |
| 63 A  | 75.6                   | 72.5 | 69.9  | 66.1  | 63    | 59.8  |

### 6.6 Resistance to chemical agents

|                                  | Housing | Window |
|----------------------------------|---------|--------|
| <b>Aqueous solutions</b>         |         |        |
| Cold water                       | ++      | ++     |
| Warm water                       | +       | ++     |
| Steam                            | --      | ++     |
| 5% saline solution               | ++      | ++     |
| Oxygenated water                 | -       | ++     |
| Water + detergent                | +       | -      |
| Water + surfactants              | +       | +      |
| Formic aldehyde                  | -       | ++     |
| <b>Alcohols</b>                  |         |        |
| Ethanol                          | +       | +      |
| Methanol                         | +       | -      |
| Propanol                         | ++      | -      |
| Butanol                          | ++      | -      |
| <b>Glycols</b>                   |         |        |
| Ethylene glycol                  | -       | +      |
| Phenols                          | -       | -      |
| Cresols                          | -       | -      |
| <b>Bases</b>                     |         |        |
| Ammonia                          | +       | -      |
| Sodium hydroxide (caustic soda)  | ++      | -      |
| Sodium hypochlorite (bleach 12°) | ++      | +      |
| Potassium hydroxide (potash)     | ++      | -      |
| <b>Oxidizing strong acids</b>    |         |        |
| Concentrated acetic acid         | +       | ++     |

## 6. TECHNICAL CHARACTERISTICS (continued)

|                                | Housing | Window |
|--------------------------------|---------|--------|
| Nitric acid 5%                 | -       | ++     |
| Sulfuric acid 10%              | +       | ++     |
| Hydrochloric acid 30%          | -       | +      |
| Perchloric acid 70%            | -       | +      |
| Hydrofluoric acid 70%          | -       | ++     |
| Chromic acid 50%               | +       | +      |
| Phosphoric acid 30%            | +       | +      |
| <b>Weak acids</b>              |         |        |
| Diluted acetic acid < 25%      | ++      | ++     |
| Citric acid                    | ++      | ++     |
| Lactic acid                    | ++      | ++     |
| Formic acid                    | -       | -      |
| Uric acid                      | ++      | +      |
| <b>Animal oils and fats</b>    |         |        |
| Lard                           | +       | -      |
| Butter, cream                  | ++      | ++     |
| <b>Vegetable oils and fats</b> |         |        |
| Linseed oil                    | ++      | -      |
| Groundnut/olive oil            | ++      | +      |
| Castor oil                     | ++      | ++     |
| Glycerin                       | -       | -      |
| <b>Mineral oils and fats</b>   |         |        |
| Paraffin (vaseline)            | ++      | ++     |
| Engine oil                     | -       | -      |
| Silicone oil                   | ++      | ++     |
| Cutting oil                    | +       | -      |
| Hydraulic fluid                | +       | --     |
| <b>Hydrocarbons</b>            |         |        |
| Unleaded petrol                | +       | -      |
| Diesel oil                     | +       | +      |
| Kerosene                       | +       | +      |
| White spirit                   | +       | -      |
| <b>Chlorinated solvents</b>    |         |        |
| Trichloroethylene              | -       | --     |
| Trichloroethane                | -       | -      |
| Perchloroethylene              | -       | --     |
| Methyl chloride                | --      | --     |
| Carbon tetrachloride           | -       | --     |
| Chloroform                     | --      | --     |
| <b>Aromatic solvents</b>       |         |        |
| Benzen                         | -       | -      |
| Toluene                        | -       | -      |
| Xylene                         | -       | -      |
| <b>Aliphatic solvents</b>      |         |        |
| Hexane                         | -       | +      |
| Heptane                        | -       | -      |
| <b>Fluoride solvents</b>       |         |        |
| Trichlorofluoromethane         | -       | --     |
| <b>Ketones</b>                 |         |        |
| Acetone                        | --      | --     |
| Methyl ethyl ketone            | --      | --     |
| Ethyl acetate                  | --      | --     |
| <b>Terpenes</b>                |         |        |
| Turpentine                     | -       | -      |

### Resistance to chemical agents at ambient temperature according to risk of exposure by spraying

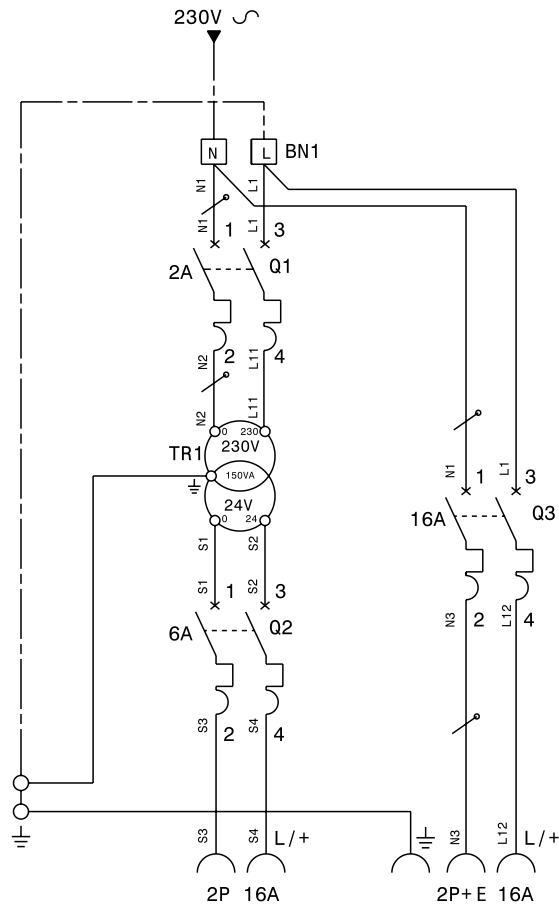
- (++) excellent resistance (continuous exposure)
- (+) good resistance (long-term exposure)
- (-) limited resistance (brief exposure possible)
- (--) poor resistance (exposure to be avoided)

# P17 combined units

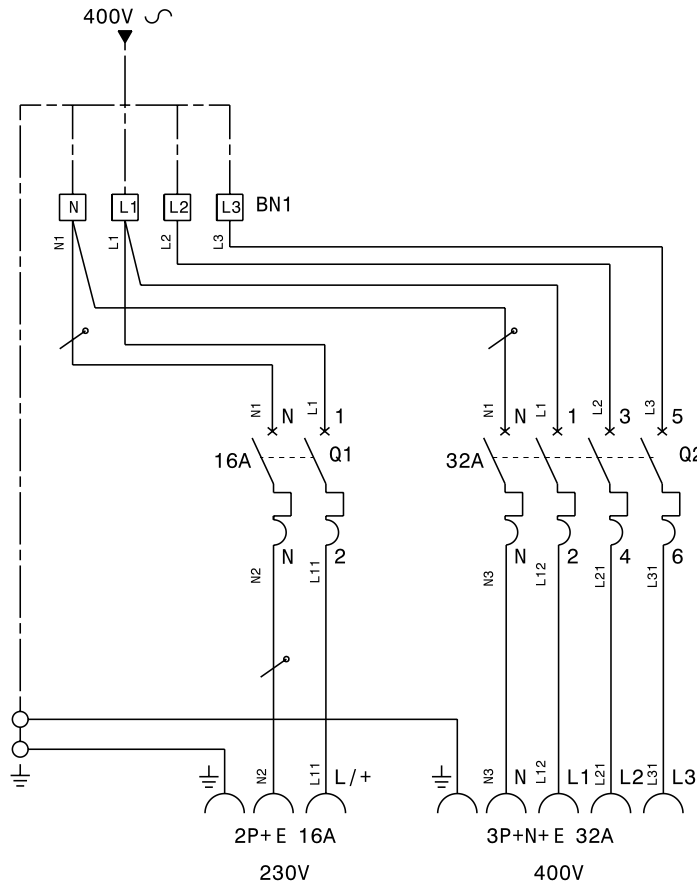
Cat. No.(s) : 566 XX - 572 XX - 577 XX - 589 XX

## 7.WIRING DIAGRAMS

Cat. No. 589 20



Cat. No. 589 21

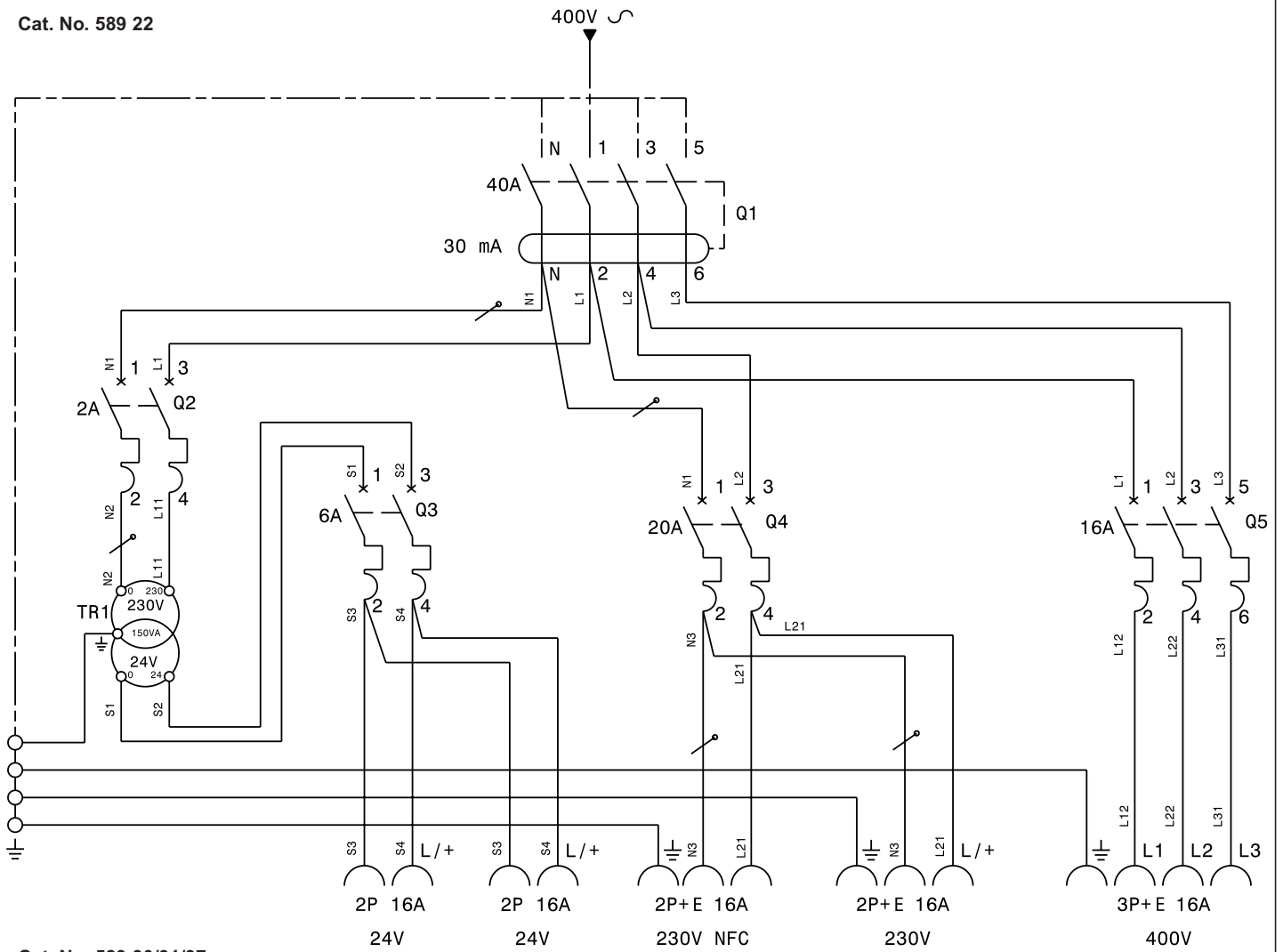


# P17 combined units

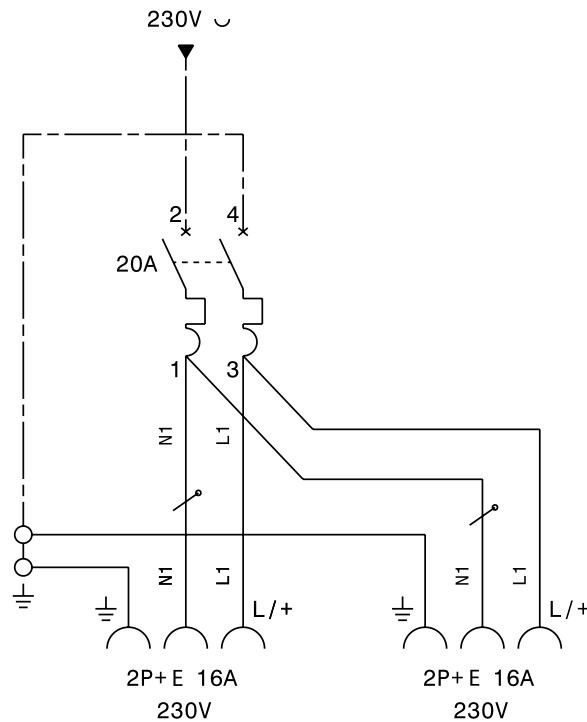
Cat. No.(s) : 566 XX - 572 XX - 577 XX - 589 XX

## 7. WIRING DIAGRAMS (continued)

Cat. No. 589 22

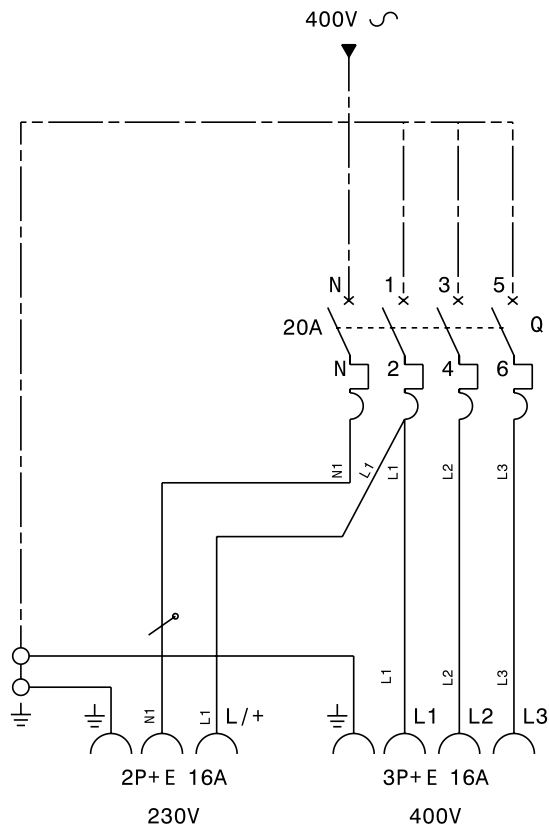


Cat. No. 589 30/31/37

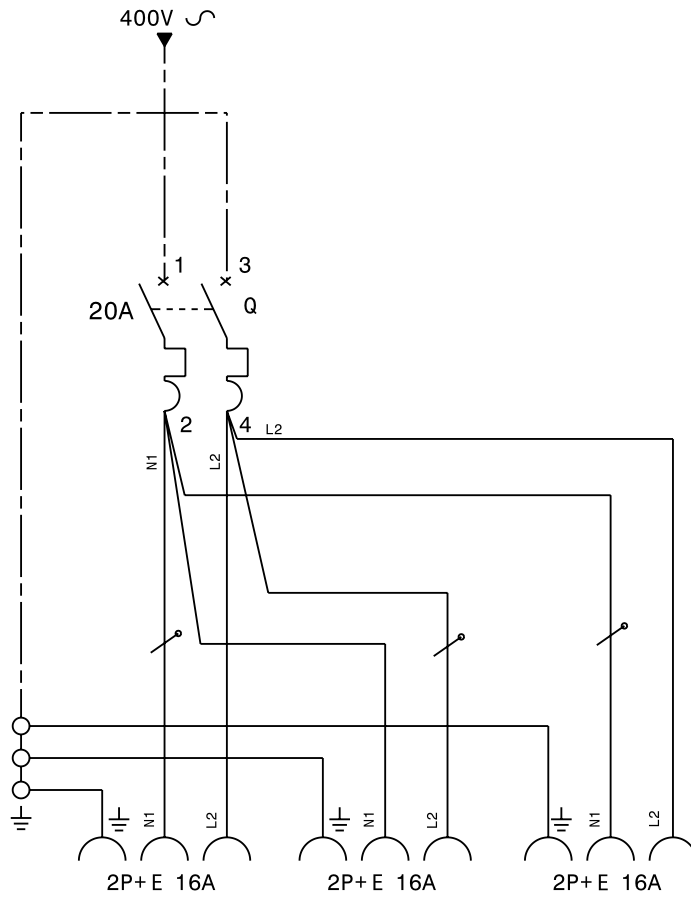


## 7. WIRING DIAGRAMS (continued)

Cat. No. 589 32



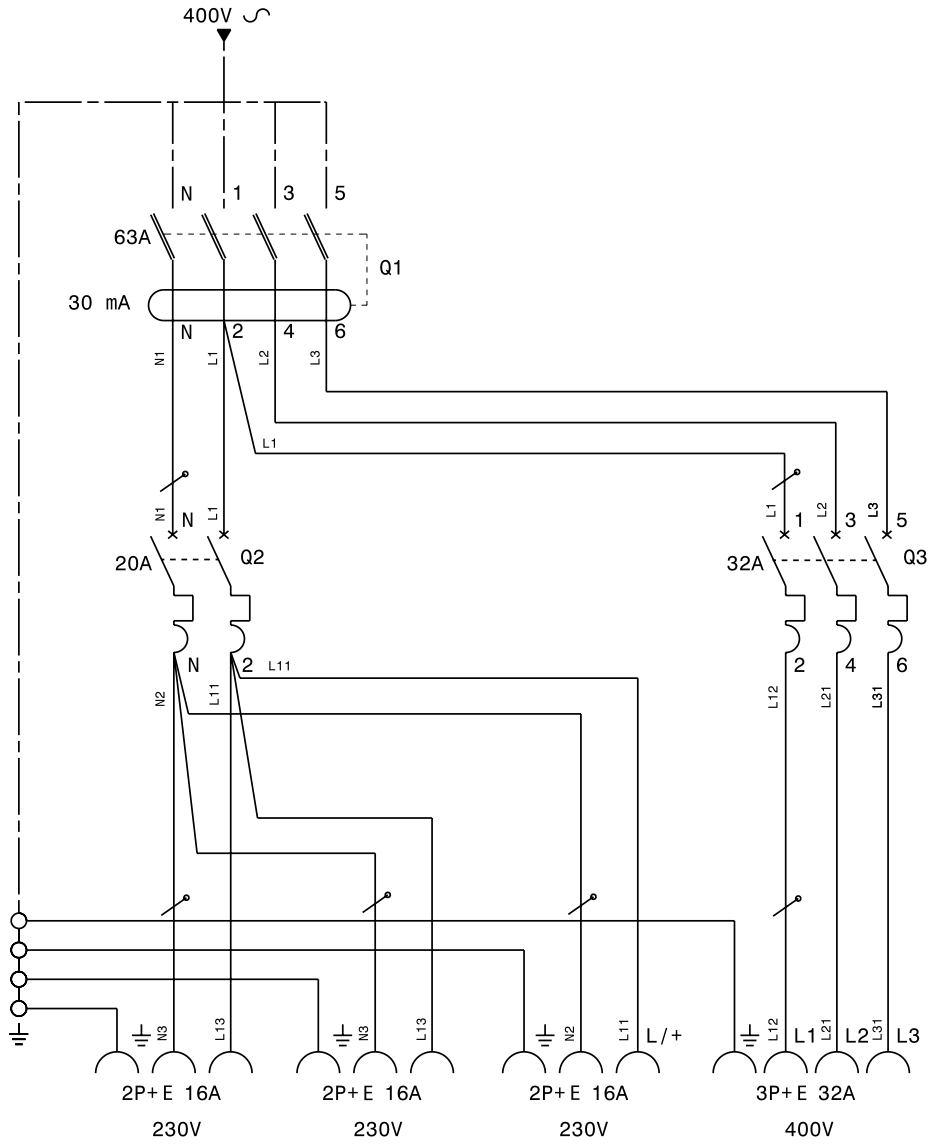
Cat. No. 589 33/34





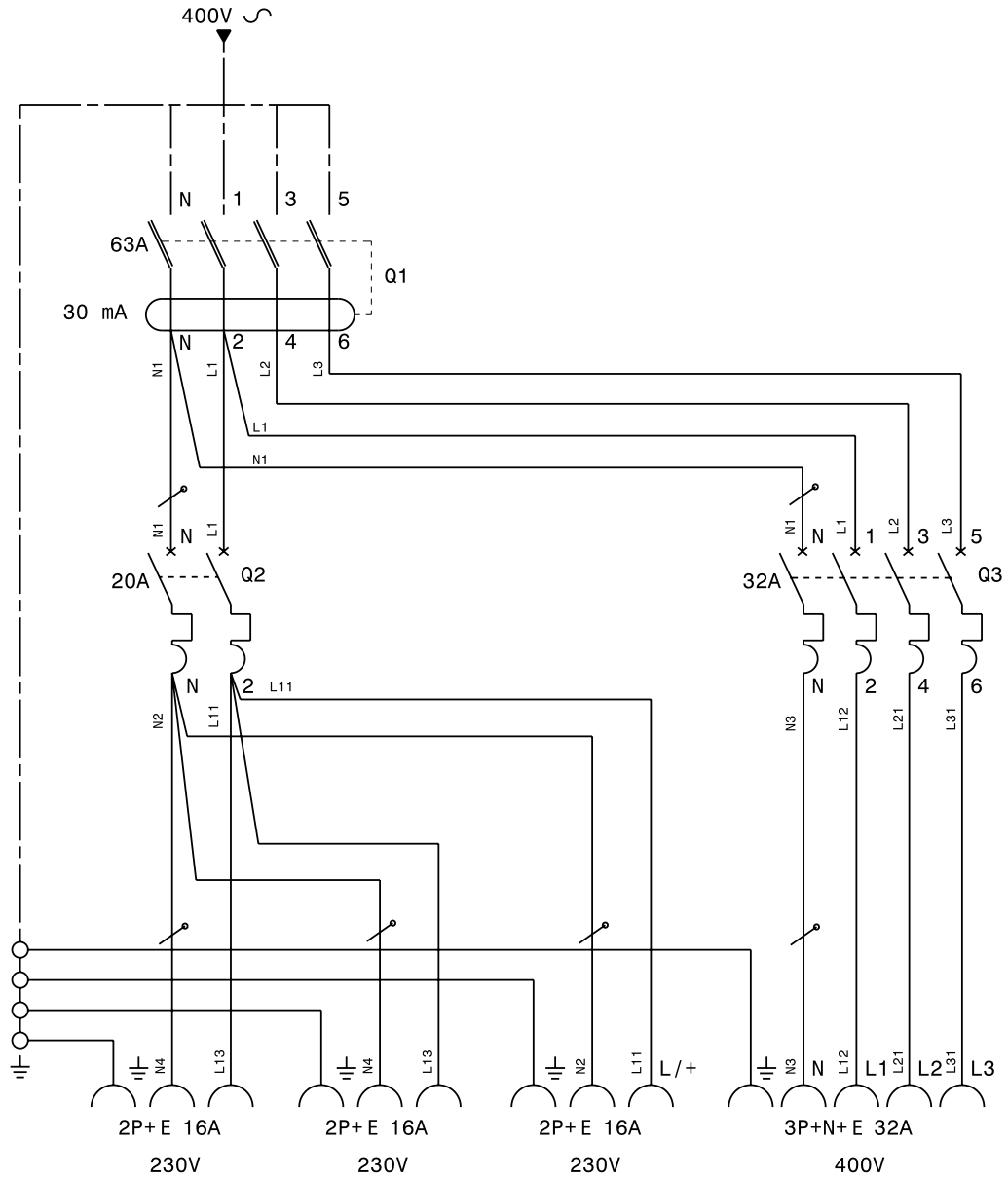
## 7. WIRING DIAGRAMS (continued)

Cat. No. 589 35



## 7. WIRING DIAGRAMS (continued)

Cat. No. 589 36



# P17 combined units

Cat. No.(s) : 566 XX - 572 XX - 577 XX - 589 XX

## 8. STANDARDS

- EN 60309-1 and IEC 60309-1
- EN 60309-2 and IEC 60309-2
- EN 60529 and IEC 60529
- EN 62262 and IEC 62262
- EN 60439-1 and IEC 60439-1

## 9. ACCESSORIES

### 9.1 Handles



Supplied with lugs to wind the cable for combined unit with:  
 5 Lexic modules (577 20/589 33): **Cat. No. 577 37**  
 12 Lexic modules: **Cat. No. 577 38**  
 18 Lexic modules: **Cat. No. 577 39**

### 9.2 Key lock

**Cat. No. 577 35**



For locking the viewing window for optimum safety

### 9.3 Emergency stop and emergency break

#### Plates with Osmoz buttons

#### Osmoz emergency stop button

**Cat. No. 577 40**

For cutting off the power supply to the units  
 Plate fixed on pre-drilled faceplate  
 Supplied in parts ready for assembly  
 Supplied with push-pull 2 NC contact block

#### Osmoz emergency break button

**Cat. No. 577 45**

For cutting off the power supply to the units  
 Plate fixed on pre-drilled faceplate  
 Supplied in parts ready for assembly  
 Supplied with push-pull 1 NO contact block

### 9.4 IP55 adaptor

**Cat. No. 053 948**

Takes Mosaic mechanisms  
 2 modules (except special surface mounting type)  
 No support frame needed



### 9.5 Wall mounting lug

**Cat. No. 001 969**

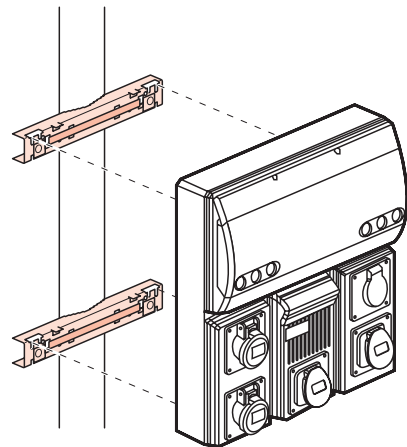
Set of 4 wall mounting lugs  
 for 265 and 405 mm combined units  
 Vertical and horizontal mounting



### 9.6 Vertical plate mounting kit

**Cat. Nos. 036 446/47/48/49**

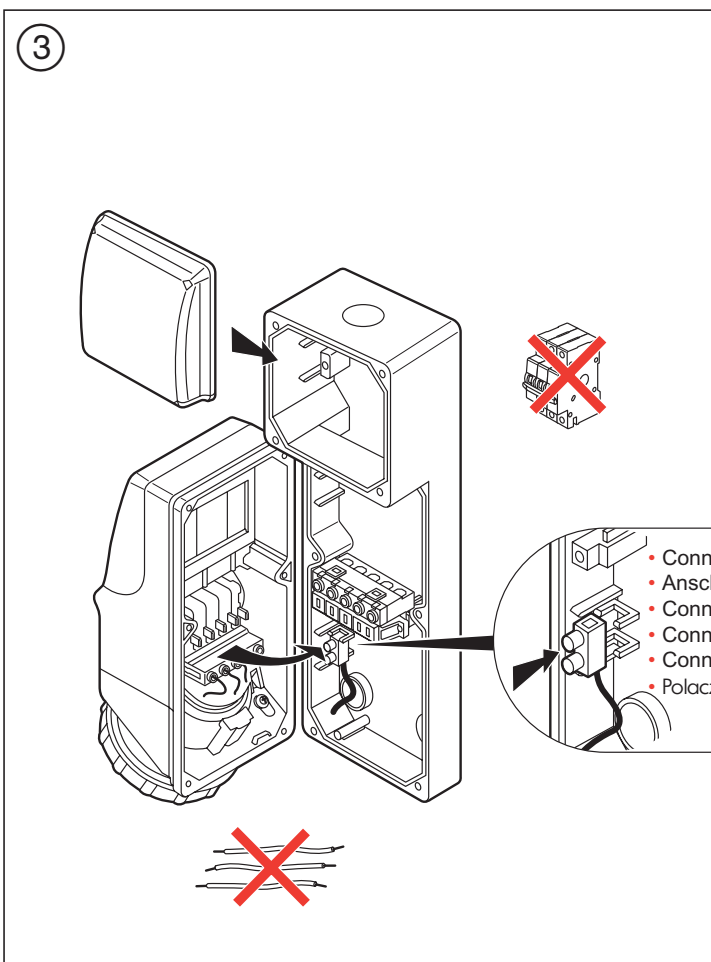
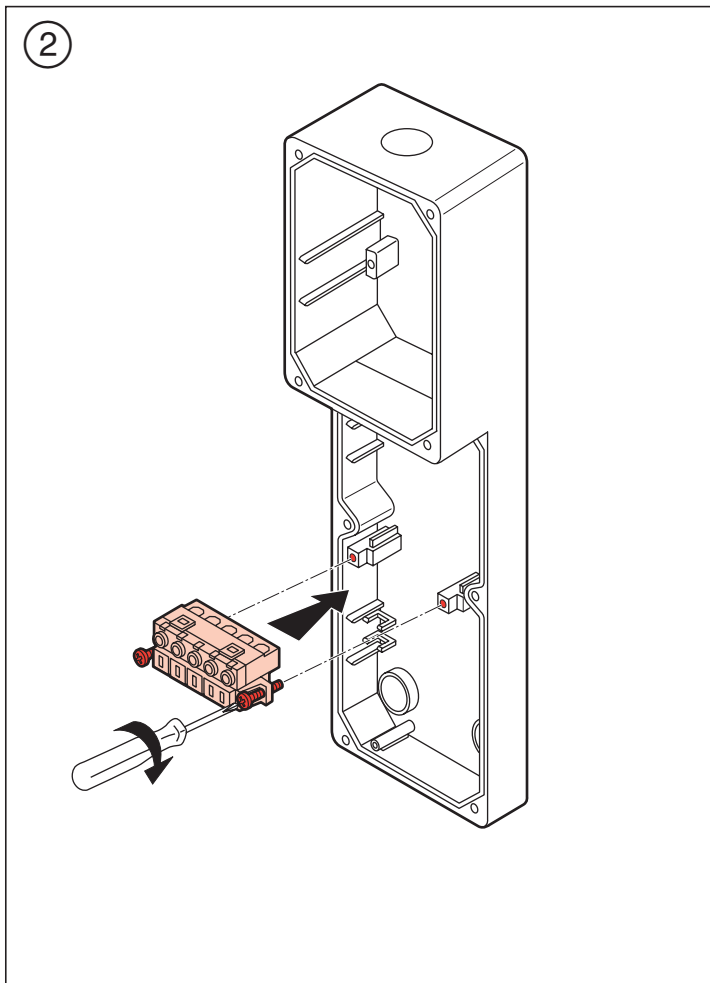
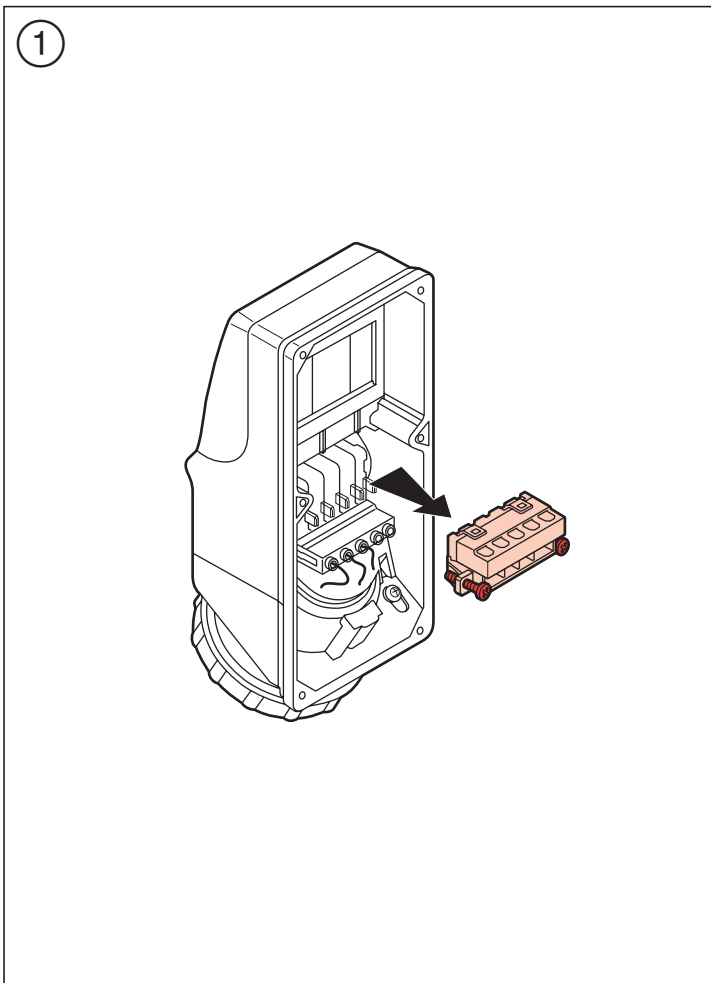
|                                  | 36446 | 36447 | 36448 | 36449 |
|----------------------------------|-------|-------|-------|-------|
| 57701/03/05                      | ---   | ---   |       | ---   |
| 57702/04/06                      | ---   | ---   | ---   |       |
| 57700/10<br>57711/20<br>58933    |       | ---   | ---   | ---   |
| 58930/31/32<br>58937/38          |       | ---   | ---   | ---   |
| 58940/41<br>58942/43             | ---   |       | ---   | ---   |
| 58950/51/52<br>58953/54/57       | ---   |       | ---   |       |
| 59841                            |       | ---   | ---   | ---   |
| 59843                            | ---   |       | ---   | ---   |
| 59846                            | ---   |       | ---   | ---   |
| 58922/34<br>58935/36<br>59847/48 | ---   | ---   |       | ---   |



### 9.7 Tensioner/crimper tool

**Cat. No. 036 445**

Used for tensioning and crimping the cable sleeve



- Compulsory use
- Verpflichtet zu benutzen
- Utilisation obligatoire
- Empleo obligatorio
- Uso obbligatorio
- Użył obowiązkowo

- Connection of pilot cable
- Anschluß Steuerleitung
- Connexion du câble pilote
- Connessione del cavo pilot
- Polaczenie przewodu sterujacego

4

