

# Plexo<sup>3</sup>

## IP 65 weatherproof cabinets, multifunction sleeves and accessories



Technical characteristics p. 257

Self-extinguishing; resistance to incandescent wire 650°C. Allows to achieve assemblies conform to IEC 61 439 - 3

Weatherproof cabinets - IP 65 - IK 09 - Class II

Door and cabinet fully reversible. Removable chassis and faceplates from 2-row versions up

2-position rail for modular products and moulded cases. Spacing between rails 150 mm

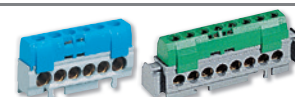
Can be fitted with perforated plates and solid faceplates for mounting non-modular products

Lockable door handle, sealable cover and faceplate. Shock-resistant polystyrene material

Box colour light grey L750A, cover colour dark grey R746A. Supplied without terminal blocks

Pack	Cat.Nos	Cabinets 2 to 8 modules	
		Number of rows	Number of modules
6	6 019 32	1	2 (+1)
6	6 019 94	1	4
6	6 019 96	1	6
6	6 019 98	1	8
Cabinets 12 modules per row			
		Number of rows	
1	6 018 31	1	
1	6 018 32	2	
1	6 018 33	3	
Cabinets 18 modules per row			
		Number of rows	
1	6 018 35	1	
1	6 018 36	2	
1	6 018 37	3	
1	6 018 38	4	
Multifunction sleeves			
		Supplied with hinges connecting the cover to the back of the cabinet	
		For use with 12 and 18-module cabinets using joining kit Cat.No 0 019 67	
		Can be fitted with control units and accessories: P17 16 A and 32 A sockets with standard fixing centres, flush-mounted IP 55 Plexo wiring accessories, Osmoz, modular rail at the back of the box	
Vertical			
1	0 019 17	For 2 rows cabinets	
1	0 019 18	For 3 rows cabinets	

Pack	Cat.Nos	Accessories
5	0 019 71	<b>Plexo adaptor</b> For fixing Plexo flush mounting wiring accessories, complete version (p. 548) on Plexo <sup>3</sup> cabinets (minimum 2 rows)
		<b>Installation supports for terminal blocks</b> Set of 2 supports for mounting additional terminal blocks (p. 180) or empty supports for screw terminal blocks (p. 180) into Plexo <sup>3</sup> cabinets
1	0 019 72	For 1 and 2 rows cabinets, 12 and 18 modules per row
1	0 019 73	For 3 and 4 rows cabinets, 12 and 18 modules per row
1	0 019 66	<b>Key lock</b> N° 850
1	0 019 67	<b>Joining kit</b> Allows cables to be run horizontally or vertically between 2 cabinets or multifunction sleeves while maintaining IP 65 protection
1	0 019 68	<b>Sealing kit</b> Set of 2 sealable terminal shields for cover and 8 sealable supports for faceplate
1	0 019 69	<b>Fixing lugs</b> Set of 4 wall mounting lugs for Plexo <sup>3</sup> boxes and P17 combined units (p. 328)
20	0 019 61	<b>Blanking plates</b> 5, separable into modules or 1/2 module Grey R746A
1	0 019 55	<b>Direct piercing end caps</b> Pack consisting of 2 Ø32 mm ISO end caps, 5 Ø25 mm ISO end caps and 10 Ø20 mm ISO end caps
2	0 019 64	<b>Plain faceplates</b> For 12 modules cabinets
2	0 019 65	For 18 modules cabinets
2	0 019 62	<b>Perforated plates</b> Allow the DIN rail to be replaced with a LINA 25 plate when integrating non-modular products For 12 modules cabinets, Height 150 mm
2	4 018 53	For 18 modules cabinets, Height 150 mm
2	0 019 70	<b>Hinges</b> Set of 2 hinges connecting the back of the cabinet to the cover

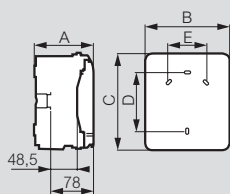


# Plexo<sup>3</sup>

## IP 65 weatherproof cabinets, multifunction sleeves and accessories

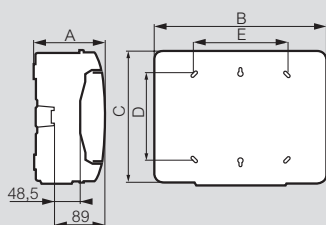
### ■ Dimensions

#### Cabinets 2, 4, 6 and 8 modules



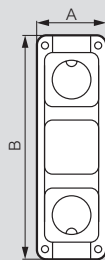
Cat.Nos	Dimensions (mm)				
	A	B	C	D	E
6 019 32	109	93	174	94	-
6 019 94	115.6	128	200	120	-
6 019 96	115.6	164	200	120	70
6 019 98	115.6	200	200	120	106

#### Cabinets 12 and 18 modules



Cat.Nos	Dimensions (mm)				
	A	B	C	D	E
6 018 31	141	340	282	180	180
6 018 32	161	340	432	330	180
6 018 33	161	340	622	480	180
6 018 35	141	448	282	180	288
6 018 36	161	448	432	330	290
6 018 37	161	448	622	480	290
6 018 38	161	448	822	680	290

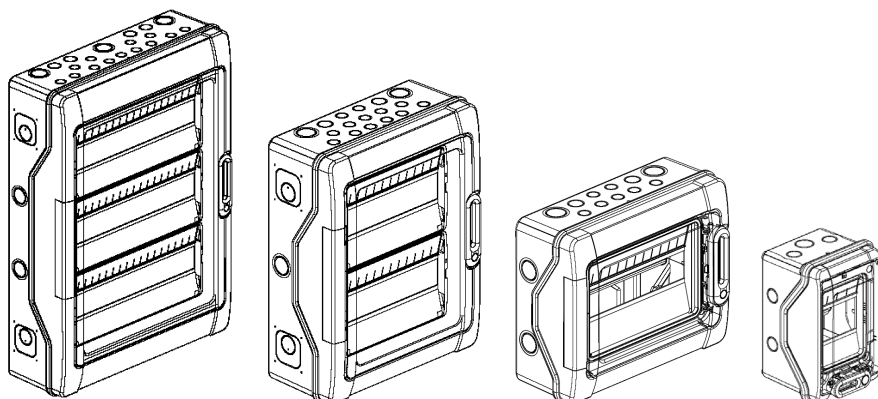
### ■ Vertical multifunction sleeves



Cat.No	Dimensions (mm)		Number of positions
	A	B	
0 019 17	137	432	3
0 019 18	137	622	4

### ■ Number of knockouts on each side

Cat.Nos	Top/bottom			Left/right		
	Ø20 mm	Ø25 mm	Ø32 mm	Ø20 mm	Ø25 mm	Ø32 mm
6 019 32	2	-	-	-	-	-
6 019 94	2	1	-	2	-	-
6 019 96	4	1	-	2	-	-
6 019 98	6	1	-	2	-	-
6 018 31	7	2	2	-	-	2
6 018 32	13	2	2	-	-	3
6 018 33	13	2	2	-	-	4
6 018 35	12	2	3	-	-	2
6 018 36	13	4	3	-	-	3
6 018 37	13	4	3	-	-	4
6 018 38	13	4	3	-	-	5



**CONTENTS**

**Pages**

1. Description, use .....	1
2. Range, equivalence table .....	1
3. Overall dimensions .....	2
4. General characteristics .....	2
5. Setting in situation.....	3
6. Conformity and approvals.....	4
7. Equipment and accessories .....	4

**1. DESCRIPTION, USE**

- Weatherproof PLEXO3 IP65 cabinets from 2 to 4x18 modules.
- . Impact-resistant reinforced polystyrene material
  - . Removable chassis and faceplates from two-row versions upwards
  - . Two-position rail for modular products and moulded boxes
  - . Spacing between rails: 150 mm
  - . Accommodates perforated plates and plain faceplates for mounting of non-modular products
  - . Fixing of complete Plexo programme flush-mounted on the side of the cabinet from two-row versions upwards
  - . Lockable door handle, tamper-evident cover and faceplate
  - . Door and cabinet totally reversible
  - . Direct perforation entry glands supplied

**2. RANGE, EQUIVALENCE TABLE**

■ **2.1 Cabinets without terminal block**

New Cat. No.	Number of rows	Number of modules	Previous Cat. No.
6 019 32	1	2 (+1)	0 017 32/02
6 019 94	1	4	0 017 34
6 019 96	1	6	0 017 36
6 019 98	1	8	0 017 38
6 018 31	1	12	0 017 41
6 018 32	2	24	0 017 42
6 018 33	3	36	0 017 43
6 018 35	1	18	-
6 018 36	2	36	0 017 45
6 018 37	3	54	0 017 46
6 018 38	4	72	-

■ **2.2 Cabinets supplied with earth terminal block**

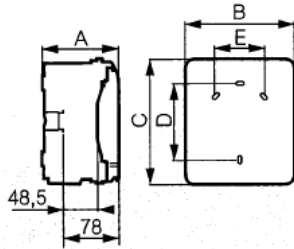
New Cat. No.	Number of rows	Number of modules	Previous Cat. No.
6 019 54	1	4	0 017 04
6 019 56	1	6	0 017 06
6 019 58	1	8	0 017 08
6 019 61	1	12	0 017 11 / 0 019 11
6 019 62	2	24	0 017 12 / 0 019 12
6 019 63	3	36	0 017 13 / 0 019 13
6 019 65	1	18	-
6 019 66	2	36	0 017 15 / 0 019 15
6 019 67	3	54	0 017 16 / 0 019 16
6 019 68	4	72	-
6 018 38	4	72	-

■ **2.3 Cabinets supplied with earth + neutral terminal block**

New Cat. No.	Number of rows	Number of modules	Previous Cat. No.
6 019 74	1	4	-
6 019 76	1	6	-
6 019 78	1	8	-
6 019 81	1	12	0 017 21
6 019 82	2	24	0 017 22
6 019 83	3	36	0 017 23
6 019 85	1	18	-
6 019 86	2	36	0 017 25
6 019 87	3	54	0 017 26
6 019 88	4	72	-

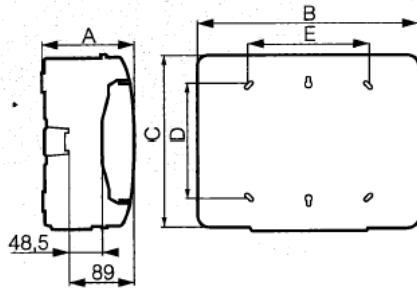
**3. OVERALL DIMENSIONS**

■ **3.1 -Two- to eight-module cabinets**



Cat. Nos	Dimensions (mm)				
	A	B	C	D	E
6 019 32	109	93	174	94	-
6 019 94/74/54	115.6	128	200	120	-
6 019 96/76/56	115.6	164	200	120	70
6 019 98/78/58	115.6	200	200	120	106

■ **3.2 Twelve- to eighteen-module cabinets**



Cat. Nos	Dimensions (mm)				
	A	B	C	D	E
6 018 31 6 019 81/61	141	340	282	180	180
6 018 32 6 019 82/62	161	340	432	330	180
6 018 33 6 019 83/63	161	340	622	480	180
6 018 35 6 019 85/65	141	448	282	180	290
6 018 36 6 019 86/66	161	448	432	330	290
6 018 37 6 019 87/67	161	448	622	480	290
6 018 38 6 019 88/68	161	448	822	680	290

**4. GENERAL CHARACTERISTICS**

■ **4.1 Technical characteristics**

- . Box colour : light grey L750A
- . Cover colour : dark grey RAL 7046
- . Shutter colour : transparent blue
- . Protection rating : IP65 – IK09
- . Self-extinguishing : 650°C
- . Dual class II insulation
- . Rated operating voltage : 400 V AC – 50/60 Hz
- . Rated insulation voltage : 400 V AC – 50/60 Hz
- . Short-circuit current: 10 kA
- . Storage and installation temperature:  
Two to eight-module cabinets : -15°C to +55°C (+70°C/24 H)

- . Twelve to eighteen-module cabinets : -25°C to +55°C (+70°C/24 H)
- . Operating temperature : -25°C to 40°C

- . Max. permitted current :
 

6 019 32/94/96/74/76/54/56:	32 A
6 019 38/98/78/58:	40 A
6 018 31/35, 6019 81/85/61/65:	63 A
6 018 32/33/36, 6019 82/83/86/62/63/66:	90 A
6 018 37/38, 6019 87/88/67/68:	125 A
- . Permissible loads : 40N per row

■ **4.2 Materials**

- . Box, cover, rail brackets, terminal brackets, hinge cover and faceplate : impact reinforced polystyrene
- . Door : transparent polycarbonate
- . Handle and door identifier indicator light : polycarbonate
- . Handle bar : glassfibre-reinforced polycarbonate
- . Entry glands : polypropylene + SEBS
- . Cover/box screws and springs : stainless steel
- . Other screws : zinc-coated steel
- . Rails : galvanised steel

■ **4.3 Number of knockouts**

The cabinet has the same number of knockouts on the top and the bottom.

**4.3.1 Cabinets without terminals**

	Number of knockouts on each			Number of entry glands supplied		
	Ø20 mm	Ø25 mm	Ø32 mm	Ø20 mm	Ø25 mm	Ø32 mm
6 019 32	2	-	-	2	-	-
6 019 94	2	1	-	-	-	-
6 019 96	4	1	-	-	-	-
6 019 98	6	1	-	-	-	-
6 018 31	7	2	2	-	-	-
6 018 32	13	2	2	-	-	-
6 018 33	13	2	2	-	-	-
6 018 35	12	2	3	-	-	-
6 018 36	13	4	3	-	-	-

**4.3.2 Cabinets supplied with earth + neutral and earth terminal block**

Réf.	Borniers IP 2X à connexion automatique			Obturbateurs
	Bornes auto	Bornes à vis		
	1,5 - 4 mm <sup>2</sup>	6 - 25 mm <sup>2</sup>	6 - 35 mm <sup>2</sup>	5 modules
0 019 02	-	-	-	-
0 019 04	6	1	-	-
0 019 06	6	1	-	-
0 019 08	6	1	-	-
0 019 21	9	5	-	1
0 019 22	18	5	-	2
0 019 23	27	5	-	2
0 019 24	18	5	-	1
0 019 25	27	5	-	2
0 019 26	36	5	-	3
0 019 27	45	5	5	3

**4. GENERAL CHARACTERISTICS (suite)**

■ **4.4 Terminal capacity and number of blanks**

**4.4.1 Cabinets without terminal block**

Cat. No.	IP 2X Terminal blocks			Plugs
	Screw terminals Earth		Screw terminals Neutral	
	1.5 - 16 mm <sup>2</sup>	6 - 25 mm <sup>2</sup>	1.5 - 16 mm <sup>2</sup>	5 modules
6 019 32	-	-	-	-
6 019 94	-	-	-	-
6 019 96	-	-	-	-
6 019 98	-	-	-	-
6 018 31	-	-	-	-
6 018 32	-	-	-	-
6 018 33	-	-	-	-
6 018 35	-	-	-	-
6 018 36	-	-	-	-
6 018 37	-	-	-	-
6 018 38	-	-	-	-

**4.4.2 Cabinets supplied with earth terminal block**

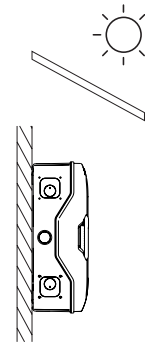
Cat. No.	IP 2X Terminal blocks			Plugs
	Screw terminals Earth		Screw terminals Neutral	
	1.5 - 16 mm <sup>2</sup>	6 - 25 mm <sup>2</sup>	1.5 - 16 mm <sup>2</sup>	5 modules
6 019 54	4	-	-	-
6 019 56	4	-	-	-
6 019 58	8	-	-	-
6 019 61	12	1	-	1
6 019 62	16	1	-	2
6 019 63	21	1	-	2
6 019 65	16	1	-	1
6 019 66	21	1	-	2
6 019 67	26	1	-	3
6 019 68	34	1	-	3

**4.4.3 Cabinets supplied with earth + neutral terminal block**

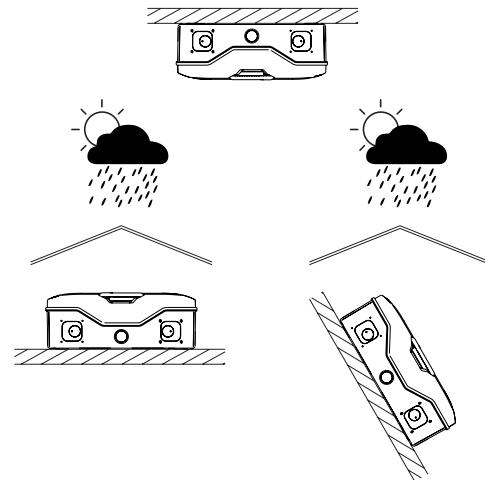
Cat. No.	IP 2X Terminal blocks				Plugs
	Screw terminals Earth		Screw terminals Neutral		
	1.5 - 16 mm <sup>2</sup>	6 - 25 mm <sup>2</sup>	1.5 - 16 mm <sup>2</sup>	6 - 25 mm <sup>2</sup>	5 modules
6 019 74	4	-	4	-	-
6 019 76	4	-	4	-	-
6 019 78	8	-	8	-	-
6 019 81	12	1	12	1	1
6 019 82	16	1	16	1	2
6 019 83	21	1	21	1	2
6 019 85	16	1	16	1	1
6 019 86	21	1	21	1	2
6 019 87	26	1	26	1	3
6 019 88	34	1	34	1	3

**5. SETTING IN SITUATION**

■ **5.1 Vertical positioning**



■ **5.2 Horizontal / sloping positioning**

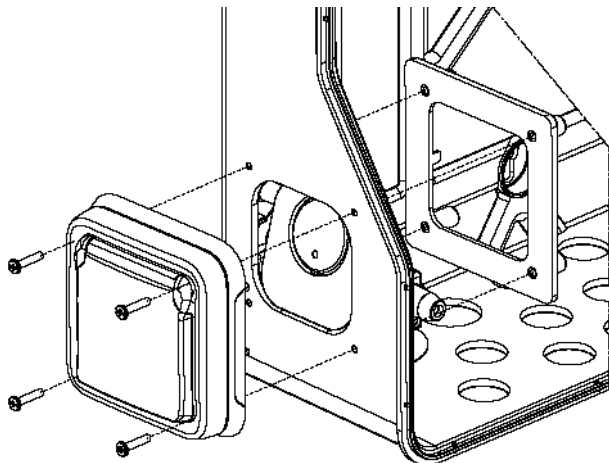


**6. CONFORMITY AND APPROVALS**

IEC 60 439-3  
IEC 60 695-2-11  
IEC 62 262  
IEC 62 208  
RoHS  
WEEE  
REACH

**7. EQUIPMENT AND ACCESSORIES**

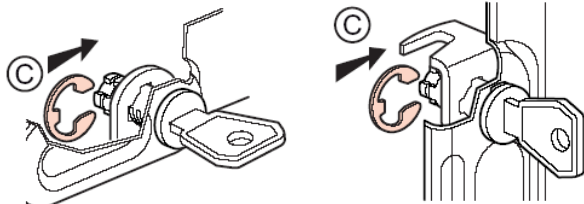
- **7.1 Plate for fixing flush-mounted Plexo wiring devices Cat. No. 0 019 71 from two-row cabinet versions upwards**



- **7.2 Key lock Cat. No. 0 019 66**  
Key lock no. 850

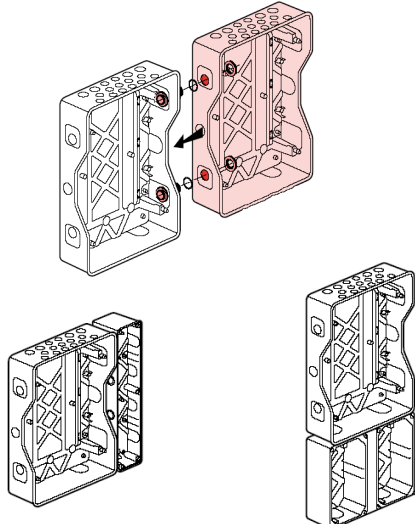
2- to 8-module cabinets

12- to 18-module cabinets



- **7.3 Joining kit Cat. No. 0 019 67**

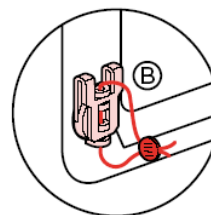
Used to run cables between two cabinets or horizontal or vertical multifunction sleeves, while maintaining IP65 protection



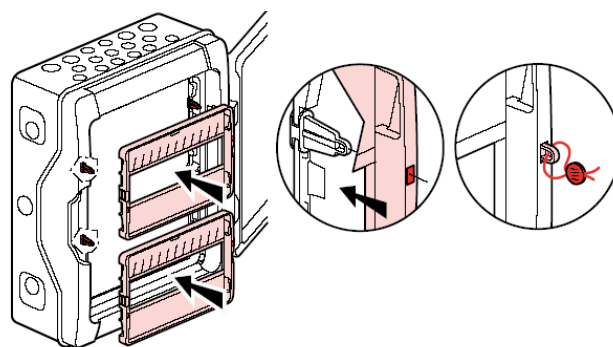
- **7.4 Sealing kit Cat. No. 0 019 68**

Set of two sealable terminal shields for covers and eight sealable brackets for faceplates.

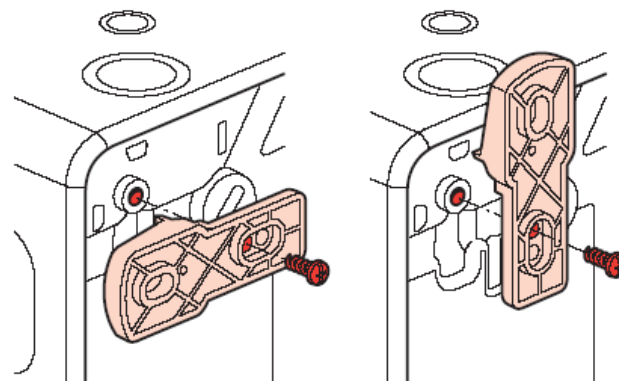
**7.4.1 Sealable terminal shields for covers**



**7.4.2 Sealable brackets for faceplates**



**7.5 Set of four wall mounting lugs Cat. No. 0 019 69**



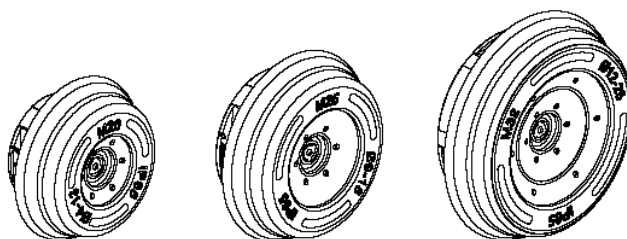
Two modules: vertical only.

**7.6 Blanking plates Cat. No. 0 019 61**

Set of five, separable into modules or half-modules, dark grey RAL 7046.

**7.7 Direct perforation entry glands Cat. No. 0 019 55**

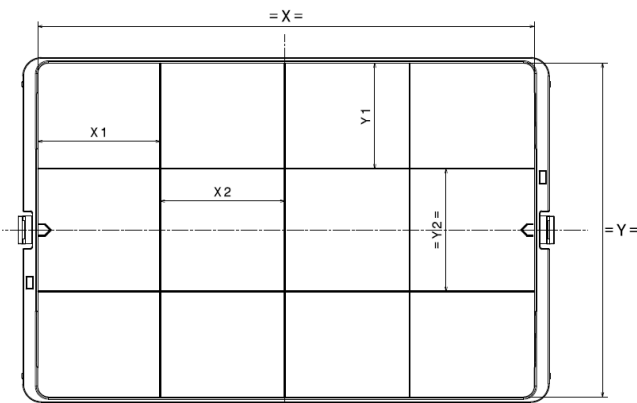
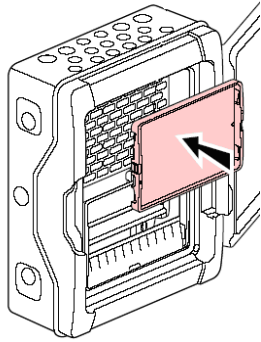
Pack comprising 2 ISO Ø32 mm entry glands, 5 ISO Ø25 mm entry glands and 10 ISO Ø20 mm entry glands. These entry glands maintain the cabinet's IP65 and IK09 ratings.



**7. EQUIPMENT AND ACCESSORIES (suite)**

■ **7.8 Plain faceplates**

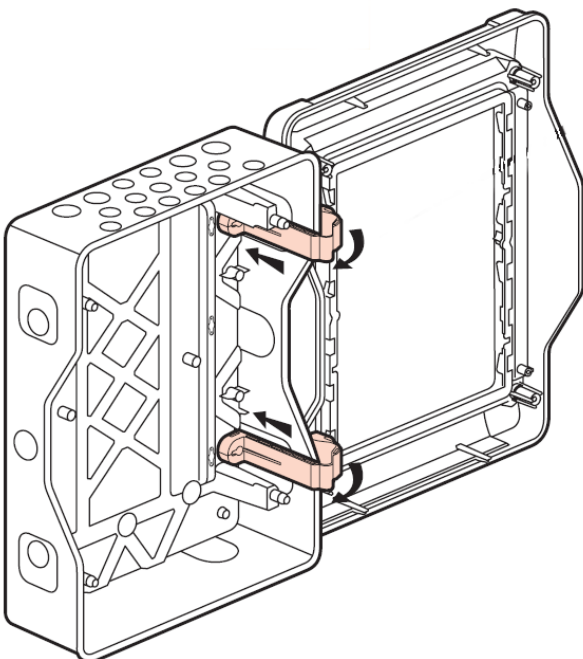
for 12-module cabinets Cat. No. 0 019 64  
for 18-module cabinets Cat. No. 0 019 65



Cat. No.	X	X1	X2	Y	Y1	Y2
0 019 64	215	53	54	145	45	53
0 019 65	324	53	54	145	45	53

■ **7.9 Hinges Cat. No. 0 019 70**

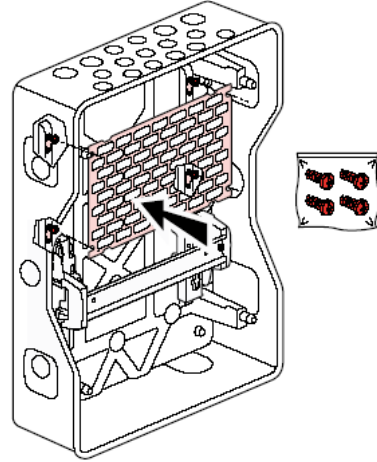
Set of 2 hinges connecting the back of the cabinet to the cover.



■ **7.10 Perforated plates supplied with four fixing screws**

Used to replace the DIN rail with a LINA 25 plate to incorporate non-modular products.

For 12-module cabinet, height 150 mm, Cat. No. 0 019 62  
For 18-module cabinet, height 150 mm, Cat. No. 4 018 53



■ **7.11 Terminal block support**

Cat. No. 0 019 72 for 12-18 module cabinet

Cat. No. 0 019 73 for 24-72 module cabinet

