

DPX™ 160

rotary handles and other accessories



0262 11



0262 10



0262 09



0262 99

Pack	Cat. nos.	Rotary handles
1	0262 11	Available in two versions
1	0262 77	• Direct on DPX
		• Vary-depth handle
		The vary-depth handle includes the connecting rod, the bracket, the self-adhesive drilling template, the mounting accessories and the door locking mechanism
		Direct on DPX
		Vary-depth handle

Pack	Cat. nos.	Phase barriers
1	0262 07	Used to isolate the connections between each pole
		Set of 3 insulation shields

Pack	Cat. nos.	Padlock
1	0262 10	For locking in "OFF" position

Pack	Cat. nos.	Accessories for mounting on DIN rail
1	0262 09	Din rail fixing plate
1	0262 99	Spacer for Din rail equipment

Pack	Cat. nos.	Supply inverter type - mounting plate
1	0264 01	For mechanical interlocking of 2 DPX of the same size for use in normal or automatic modes.
		Mounting plate for mechanical interlock.

Pack	Cat. nos.	Electronic control box
1	0261 93	For detecting the absence of voltage or a drop in voltage : triggers the opening of a power supply source
		Standard

Pack	Cat. nos.	Spreader links
1	6250 02	A set of 3 links for 3 pole DPX to terminate high capacity aluminium cable of size 95 mm ² aluminium busbar of size 25 x 3mm
1	6250 06	A set of 4 links for 4 pole DPX to terminate high capacity aluminium cable of size 95 mm ² aluminium busbar of size 25 x 3 mm

* NB : For the automatic version, add 2 remote controls and 2 auxiliary contacts, 2 shunt trips and one mechanical inverter plate in addition to the 2 MCCBs

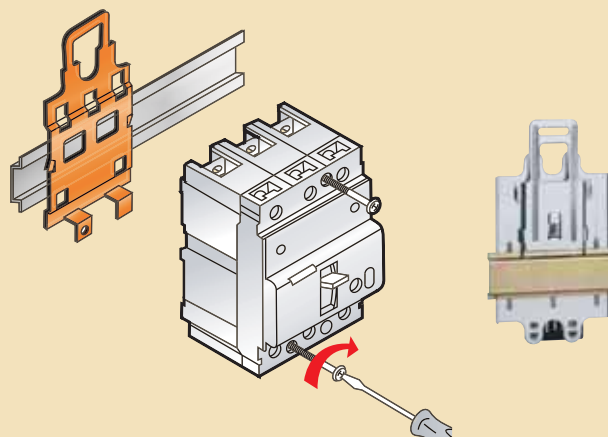
* For enclosures, refer page 186

DPX™ MCCBs

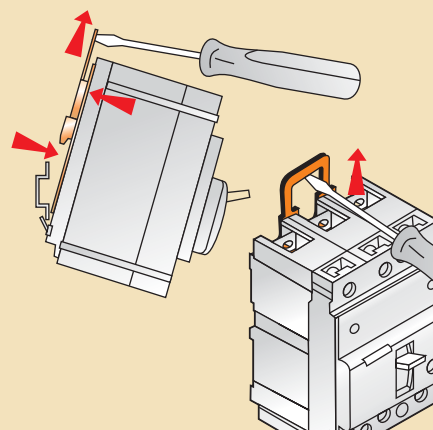
for DPX 125 and DPX 160

■ Installations

DIN rail adaptor

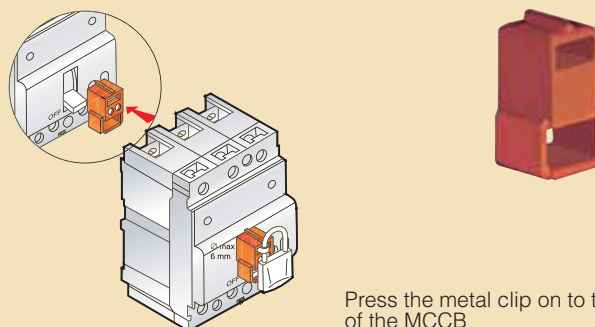


Tighten the screws that mount the MCCB on the Din rail adaptor

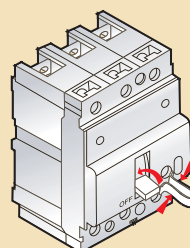


Use a screwdriver to remove the MCCB from the Din rail

Padlock support



Press the metal clip on to the dolly of the MCCB



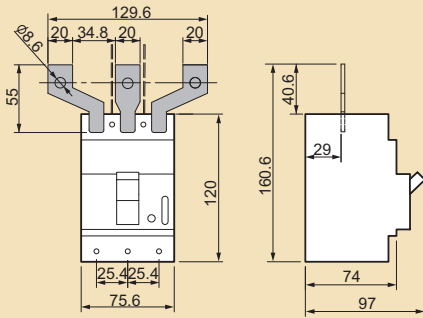
The padlock support locks the operating lever in "OFF" condition

DPX™ MCCBs

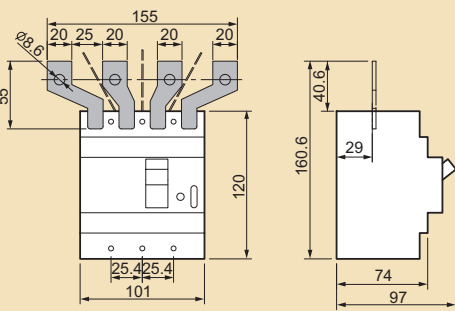
Spreader Link

■ Dimensions

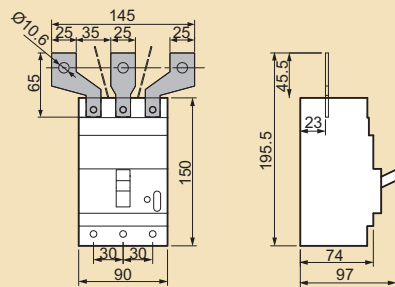
DPX 125 (TP)



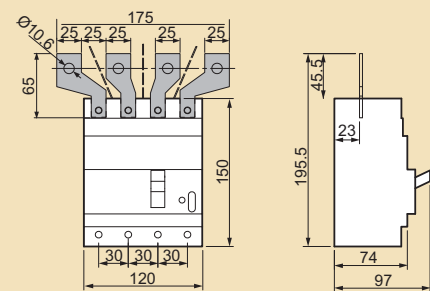
DPX 125 (FP)



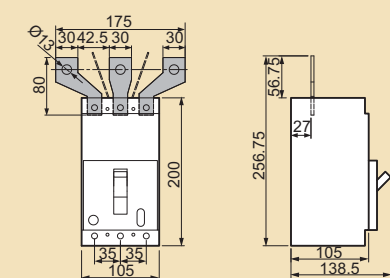
DPX 160 (TP)



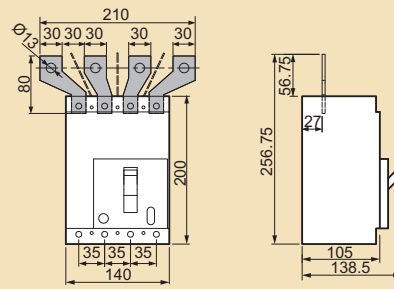
DPX 160 (FP)



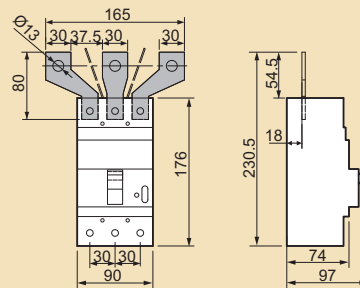
DPX 250 (TP)



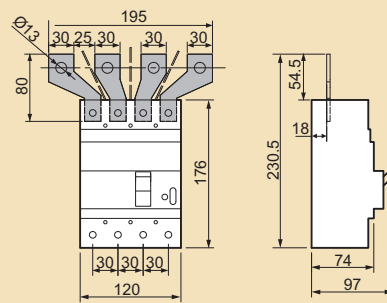
DPX 250 (FP)



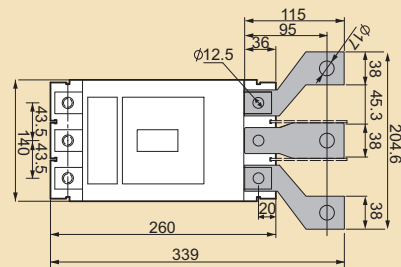
DPX 250 ER (TP)



DPX 250 ER (FP)



DPX 630 (TP)



DPX 630 (FP)

