

## DPX™ 630

MCCBs from 160 to 630 A with microprocessor release



0256 07<sup>(1)</sup>

*Dimensions (p. 96)*  
*Technical Data (p. 80)*

Confirm to IEC 60947-2  
Fixed version - Front terminals  
supplied with incoming terminal mounted  
sealable adjustments  
Fault indicator on front panel  
Adjustment : see pg. 67

Pack	Cat. nos.		DPX 630
			Breaking capacity Icu : 36 kA (380/415 V AC)
			<b>S1 - Adjustment of Ir, Im</b>
	3 P	4 P <sup>(2)</sup>	In
1	0256 00	0256 04	160 A
1	0256 01	0256 05	250 A
1	0256 02	0256 06	400 A
1	0256 03	0256 07	630 A
			<b>S2 - Adjustment of Ir, Tr, Im, Tm</b>
1	0256 25	0256 29	160 A
1	0256 26	0256 30	250 A
1	0256 27	0256 31	400 A
1	0256 28	0256 32	630 A
			<b>Sg - Adjustment of Ir, Tr, Im, Tm, Ig, Tg</b>
1	0256 50	0256 54	160 A
1	0256 51	0256 55	250 A
1	0256 52	0256 56	400 A
1	0256 53	0256 57	630 A

Pack	Cat. nos.		DPX-H 630
			Breaking capacity Icu : 70 kA (380/415 V AC)
			<b>S1 - Adjustment of Ir, Im</b>
	3 P	4 P <sup>(1)</sup>	In
1	0256 09	0256 13	250 A
1	0256 10	0256 14	400 A
1	0256 11	0256 15	630 A
			<b>S2 - Adjustment of Ir, Tr, Im, Tm</b>
1	0256 33	0256 37	160 A
1	0256 34	0256 38	250 A
1	0256 35	0256 39	400 A
1	0256 36	0256 40	630 A
			<b>Sg - Adjustment of Ir, Tr, Im, Tm, Ig, Tg</b>
1	0256 59	0256 63	250 A
1	0256 60	0256 64	400 A
1	0256 61	0256 65	630 A

**Padlock support fixing illustrations**  
(p. 59)

## DPX™ 630

rotary handle and other accessories



0262 41



OS0262 25/3

Pack	Cat. nos.	Rotary handles
		Available in two versions - Direct on DPX & Vary-depth handle The vary-depth handle includes the connecting rod, the bracket, the self-adhesive drilling template, the mounting accessories and the door locking mechanism
1/6	0262 41	Direct on DPX
1	0262 81	Vary-depth handle
		<b>Locking accessory for rotary handle</b>
1	OS0262 25/3	For Locking the rotary handle (Direct type only) (set of 3 locks with keys)
		<b>Phase barriers</b>
1	0262 30	Used to isolate the connections between each pole Set of 3 insulation shields
		<b>Padlock support</b>
1	0262 40	For locking a handle in the "OFF" position For handle
		<b>Spreader links</b>
1	6250 04	A set of 3 links for 3 pole DPX to terminate high capacity aluminium busbar of size 800 mm <sup>2</sup> / aluminium busbar of size 38 x 10 mm
1	6250 08	A set of 4 links for 4 pole DPX to terminate high capacity aluminium busbar of size 800 mm <sup>2</sup> / aluminium busbar of size 38 x 10 mm
		<b>Motor</b>
1	0261 44	For remote making and breaking of a DPX MCCB and reset in the event of tripping on a fault A lock prevents operation when working on the line. Front operated 230 V ~/-
		<b>Supply inverter type</b>
1	0264 09	Mounting plate - For mechanical interlocking of 2 DPX of the same size for use in manual or automatic modes Mounting plate for fixed version
		<b>Electronic control box</b>
1	0261 93	For detecting the absence of voltage or a drop in voltage : triggers the opening of a power supply source Standard

\* For enclosures, refer page 186

\* Microprocessor-based  
<sup>(2)</sup> Adjustment of neutral on front panel  
<sup>(1)</sup> Minimum current for indicator lamp operation : 30% of In

\* For the automatic version, add 2 remote controls and 2 auxiliary contacts, 2 shunt trips and one mechanical inverter plate in addition to the 2 MCCBs.

**Bold catalogue numbers** are products normally available with Legrand (India) stockists.  
**Cat. nos. that are not bold** - delivery within 4 - 8 weeks from the date of order.

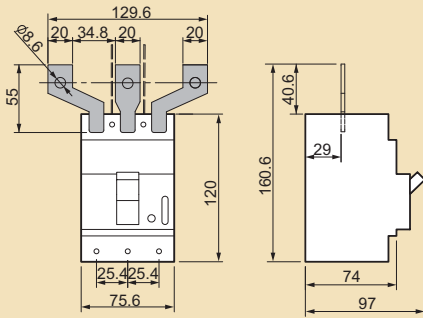
**Bold packing quantity** is our mandatory packing. Orders to be placed by Legrand (India) stockists in multiples of the same.

# DPX™ MCCBs

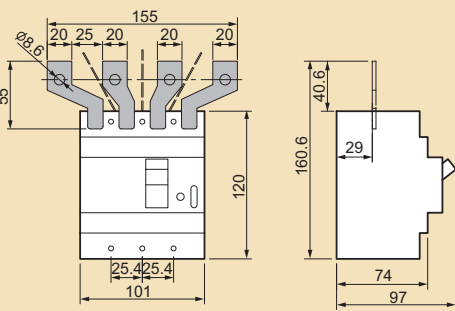
## Spreader Link

### ■ Dimensions

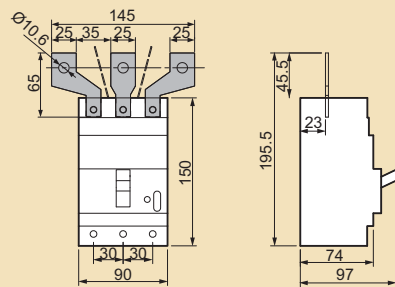
**DPX 125 (TP)**



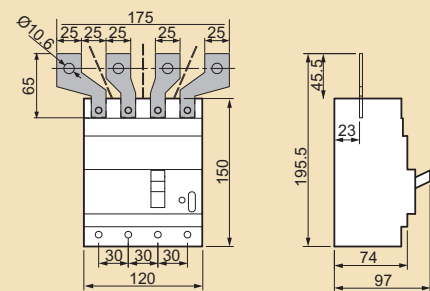
**DPX 125 (FP)**



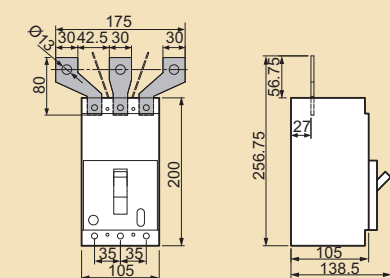
**DPX 160 (TP)**



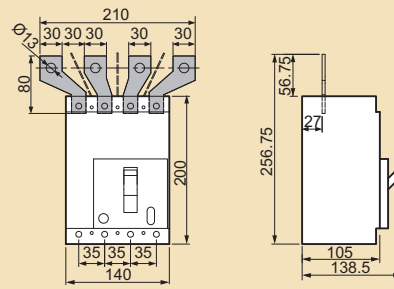
**DPX 160 (FP)**



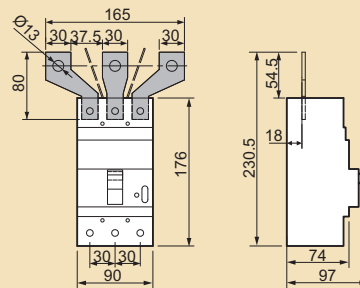
**DPX 250 (TP)**



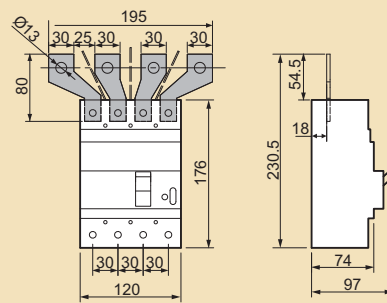
**DPX 250 (FP)**



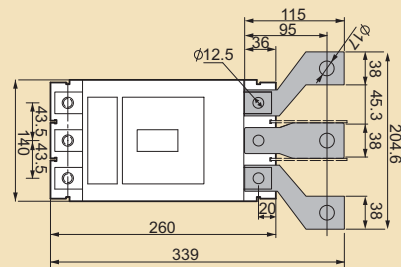
**DPX 250 ER (TP)**



**DPX 250 ER (FP)**



**DPX 630 (TP)**



**DPX 630 (FP)**

