

DRX™ 100

thermal-magnetic MCCBs from 60 to 100 A



DRX™ 100

accessories for DRX MCCBs



Dimensions (p. 49)
Technical characteristics and operating curves (p. 50-51)

For switching, control, isolation and protection of low-voltage electrical lines in conformity with standard IEC 60947-2
Fixed thermal and fixed magnetic
Supplied with:
- M8 Terminals
- Fixing screws
- Insulating shields (2 for 3 PI and 3 for 4P)

| Pack | Cat. nos | DRX 100 |
|------|----------|--------------------------------------|
| | | Icu breaking capacity 10 kA (415 V±) |
| | | 3 P In |
| 1/12 | 0270 06* | 60 A |
| 1/12 | 0270 07* | 75 A |
| 1/12 | 0270 08* | 100 A |
| | | 4 P In |
| 1 | 0270 16 | 60 A |
| 1 | 0270 17 | 75 A |
| 1 | 0270 18 | 100 A |

Pack Cat. Nos. Plate for fixing on rail

| | | |
|---|---------|------------------------------|
| 1 | 0271 87 | DIN rail adaptor for DRX 100 |
|---|---------|------------------------------|



Rotary handles

| | | |
|---|---------|------------------------------|
| 1 | 0271 76 | Direct on DRX For DRX 100 |
|---|---------|------------------------------|



| | | |
|---|---------|---|
| 1 | 0271 77 | Vari-depth handle Comprises: the connecting rod, the bracket, the drilling template, the mounting accessories, the door locking mechanism For DRX 100 |
|---|---------|---|

Padlocking

| | | |
|---|---------|---|
| 1 | 0271 80 | Accessory for locking in "OFF" position |
|---|---------|---|



Connection accessories

| | | |
|---|---------|--|
| 1 | 0271 81 | Insulating shields Insulate connection between each pole Set of 2 shields for 3 pole |
|---|---------|--|



| | | |
|---|---------|---|
| 1 | 0271 83 | Sealable terminal shields For DRX 100 - 3 pole |
|---|---------|---|



| | | |
|---|---------|--|
| 1 | 0271 71 | Cage terminals For DRX 100 - 3 pole |
|---|---------|--|



Spreader Links

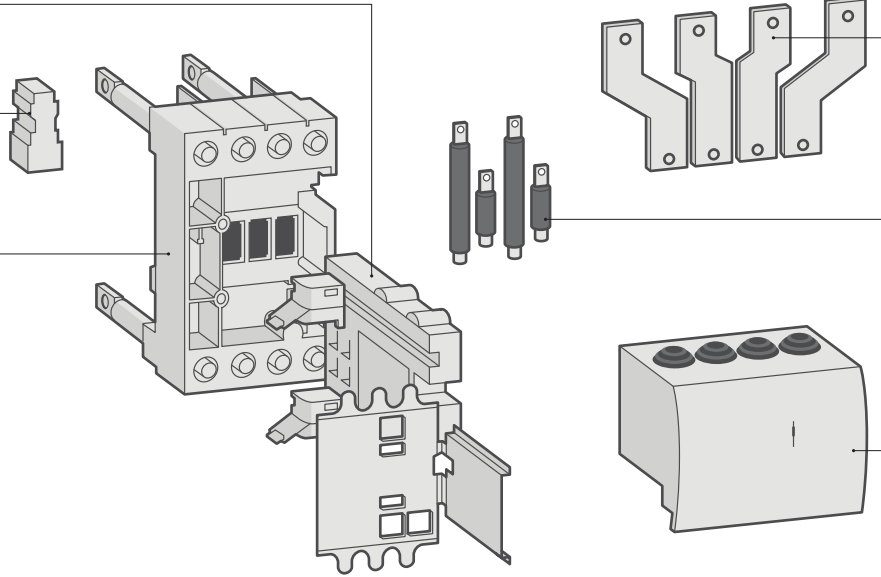
| | | |
|---|---------|--------------------|
| 1 | 6250 10 | 3 links set for TP |
| 1 | 6250 11 | 4 links set for FP |

* For enclosures refer page 184

"Debro-lift" Mechanism

Connectors for Auxiliary circuit

Bases for removable or withdrawable version



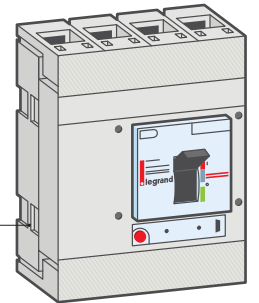
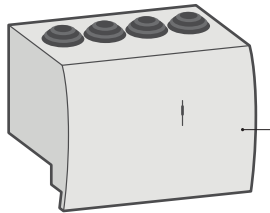
DPX: VERSIONS WITHDRAWABLE FIXED AND OR REMOVABLE



- Thermal - magnetic 16 to 250 A to be installed on DIN rail or panel
- 3 frame sizes: 125, 160, 250 ER
- 4 breaking capacities: 16, 25, 36, 50 kA

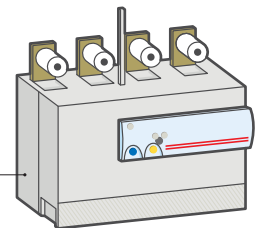
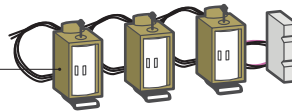


- Thermal - magnetic or electronic MCCB from 40 to 1600 A to be installed on deck
- 3 Frame sizes: 250, 630, 1600
- 4 breaking capacities: 36, 50 and 70 kA (100 kA-made)
- Types of release:
Adjustable thermal magnetic or electronic



Auxiliary / Fault signalling contact

- Shunt trip
- Undervoltage release



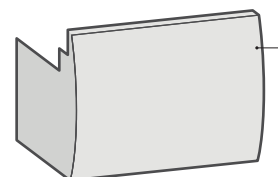
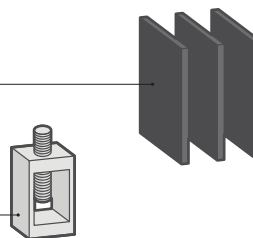
Earth Leakage modules

- Can be fitted side by side or underneath

Phase barriers

Terminals

- Upto 4 cables per phase



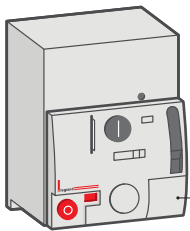
MCCBs: DPX™

The compact range of DPX MCCBs are available in just 6 frame sizes. These MCCBs are available with thermal magnetic or microprocessor based electronic releases. Apart from this they come in various mounting options, optional remote controls and can also be used as automatic transfer switches.

Spreader links

Rear terminals

Top terminal shield



Remote control motor operators
Available frame sizes
-DPX250 -DPX1250
-DPX630 -DPX1600



Rotary handle
Available in two versions
-Direct on DPX
- Vary depth handle



Padlock support

Bottom terminal shield

ADVANTAGES OF THE SYSTEMS

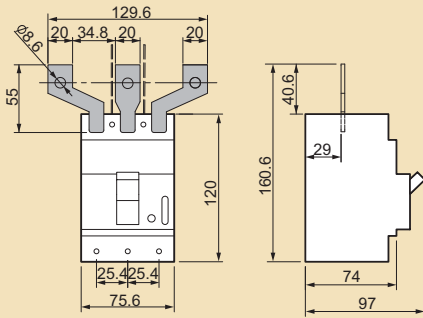
- **6 Breaking Capacities**
16, 25, 36, 50, 70 & 100 kA
- **6 Frame sizes**
DPX 125, 160, 250 ER, 250, 630 & 1250/1600.
- **Current Ratings from 16-1600 A**
- **Thermal Magnetic & Microprocessor range.**
- **Common Auxillaries**
- **Accessories Like Motors, Earth Leakage Modules, Rotary Handles, Spreader links.**

DPX™ MCCBs

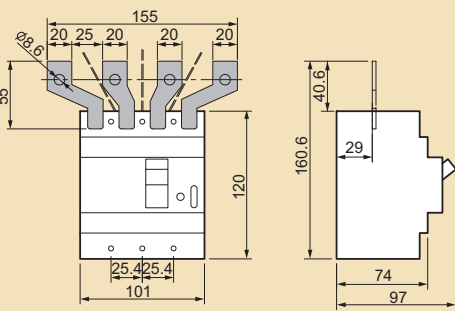
Spreader Link

■ Dimensions

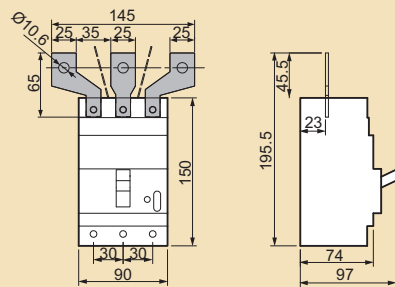
DPX 125 (TP)



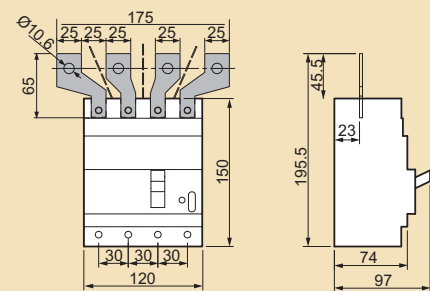
DPX 125 (FP)



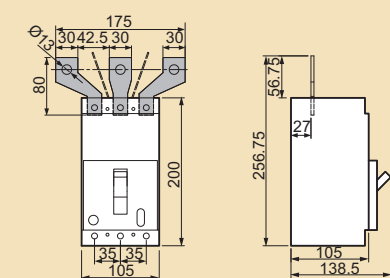
DPX 160 (TP)



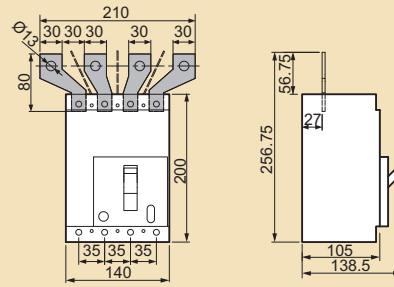
DPX 160 (FP)



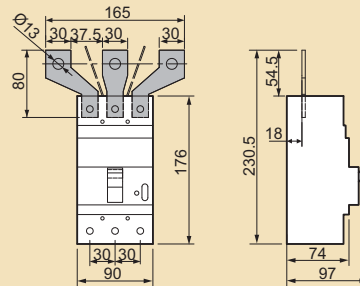
DPX 250 (TP)



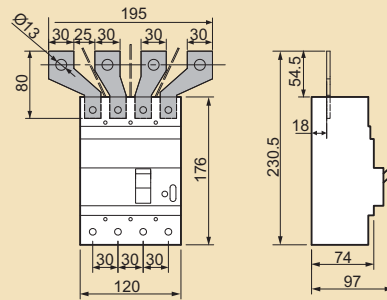
DPX 250 (FP)



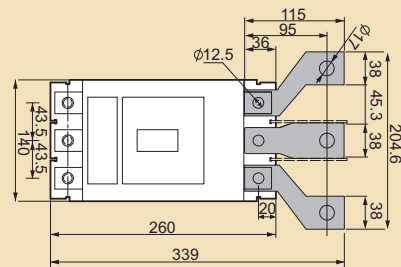
DPX 250 ER (TP)



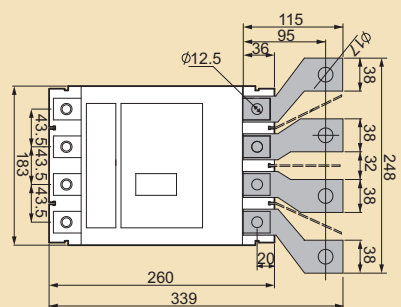
DPX 250 ER (FP)



DPX 630 (TP)



DPX 630 (FP)



1 inch = 25.4 mm