

## DPX™ 250 ER

rotary handles and other accessories



0262 11



0262 07



0262 10



6250 14



6250 18



Dimensions (p. 95)

Pack	Cat. nos.	Rotary handles
		Available in two versions <ul style="list-style-type: none"> <li>• Direct on DPX</li> <li>• Vary-depth handle</li> </ul> The vary-depth handle includes the connecting rod, the bracket, the self-adhesive drilling template, the mounting accessories and the door locking mechanism
1/20	0262 11	Direct on DPX
1/10	0262 77	Vary-depth handle
<b>Phase barriers</b>		
1	0262 07	Used to isolate connection between each pole Set of 3 insulating dividers
<b>Padlock support</b>		
1/24	0262 10	For locking a handle in "OFF" position
<b>Accessory for mounting on DIN rail</b>		
1/12	0262 09	DIN rail adaptor
1/10	0262 99	Spacer for DIN rail adaptor
<b>Spreader links</b>		
1	<b>6250 14</b>	A set of 3 links for 3 pole DPX to terminate high capacity aluminium cable of size 185 mm <sup>2</sup> aluminium busbar of size 30 x 4mm
1	<b>6250 18</b>	A set of 4 links for 4 pole DPX to terminate high capacity aluminium cable of size 185 mm <sup>2</sup> aluminium busbar of size 30 x 4 mm
<b>Supply inverter type - mounting plate</b>		
1	0264 02	For mechanical interlocking of 2 DPX of the same size for use in manual mode Mounting plate for fixed version

**Padlock support fixing illustrations** (p. 59)

**Din rail mounting illustration** (p. 59)

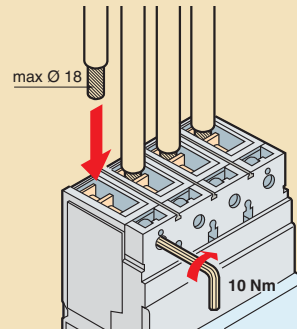
\* For enclosures, refer page 186

## DPX™ 250 ER

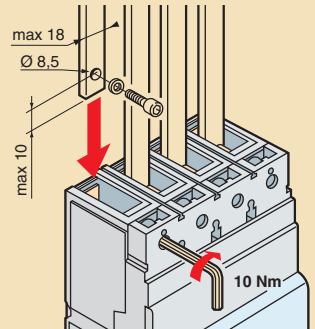
### ■ Connection

#### DPX front mounting

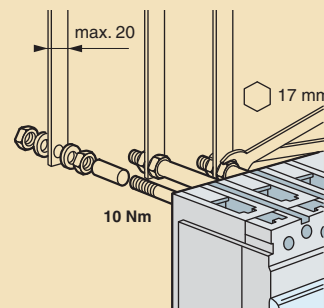
connection by cables



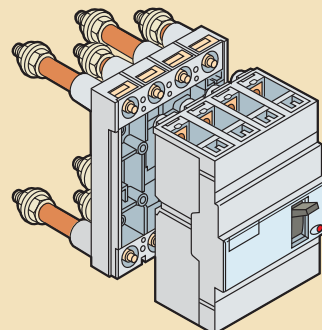
connection by busbars



#### DPX rear mounting



#### Plug in version rear mounting



Electrical auxiliaries

see p. 71

## DPX™ 250 earth leakage modules and rotary handles



0260 55



0262 79



0262 22



Dimensions (p. 95)

Can be fitted directly onto DPX 250 and DPX-H 250.  
Operating voltage : 230 to 500 VA

Pack	Cat. nos.	Earth leakage modules
1	0260 55	Adjustable, sealable sensitivity : 0.03 - 0.3 - 1 - 3 A Adjustable, sealable time delay : 0 - 0.3 - 1 - 3 s Equipped with : Test and reset pushbutton Isolator switch for electronic circuits (for commissioning tests) to open the DPX automatically <b>Mounted underneath</b> In 250 A

Pack	Cat. nos.	Rotary handles
1/6 1/10	0262 22 0262 79	Available in two versions • Direct on DPX • Vary-depth handle The vary-depth handle includes the connecting rod, the bracket, the self-adhesive drilling template, the mounting accessories and the door locking mechanism Direct on DPX Vary-depth handle

**Electrical auxiliaries** (p. 71)

**Residual current relays and coils** (p. 72)

## DPX™ 250 other mounting accessories



OS0262 25/3



0262 30



6250 14



6250 18

Pack	Cat. nos.	Locking accessory for rotary handle
1	OS0262 25/3	For locking the rotary handle (Direct type only) (set of 3 locks with keys)
1	0262 30	<b>Phase barriers</b> Used to isolate the connections between each pole Set of 3 insulation shields
1/24	0262 21	<b>Padlock support</b> For locking handle in "OFF" position
1	6250 14	<b>Spreader links</b> A set of 3 links for 3 pole DPX to terminate high capacity aluminium cable of size 185 mm <sup>2</sup> / aluminium busbar of size 30 x 4mm
1	6250 18	A set of 4 links for 4 pole DPX to terminate high capacity aluminium cable of size 185 mm <sup>2</sup> / aluminium busbar of size 30 x 4mm
1	0261 34	<b>Motor</b> For remote making and breaking of a DPX MCCB and reset in the event of tripping on a fault A lock prevents operation when working on the line. Front operated 230 V ~/∞
1	0264 08	<b>Supply inverter type mounting plate</b> For mechanical interlocking of 2 DPX of the same size for use in manual or automatic modes Mounting plate for fixed version
1	0261 93	<b>Electronic control box</b> For detecting the absence of voltage or a drop in voltage : triggers the opening of a power supply source Standard

**Padlock support fixing illustrations** (p. 59)

\* For enclosures, refer page 186



**Earth leakage protection for  
specialised application**

see p. 122-123

**Bold catalogue numbers** are products normally available with Legrand (India) stockists.  
**Cat. nos. that are not bold** - delivery within 4 - 8 weeks from the date of order.  
**Bold packing quantity** is our mandatory packing. Orders to be placed by Legrand (India) stockists in multiples of the same.

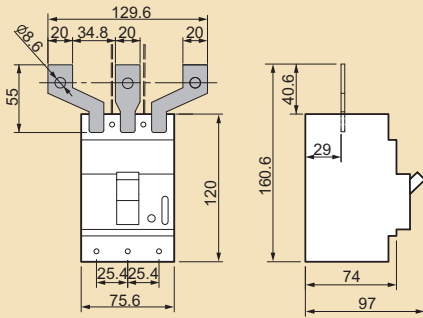
\* NB : For the automatic version, add 2 remote controls and 2 auxiliary contacts, 2 shunt trips and one mechanical inverter plate in addition to the 2 MCCBs

# DPX™ MCCBs

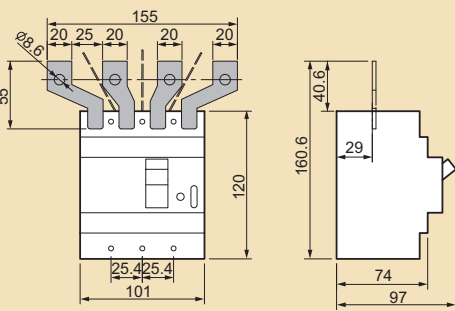
## Spreader Link

### ■ Dimensions

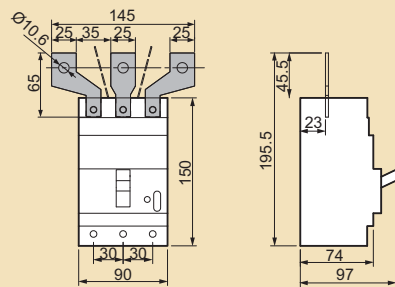
**DPX 125 (TP)**



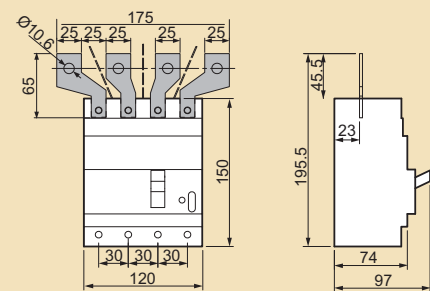
**DPX 125 (FP)**



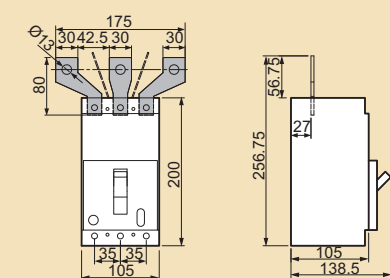
**DPX 160 (TP)**



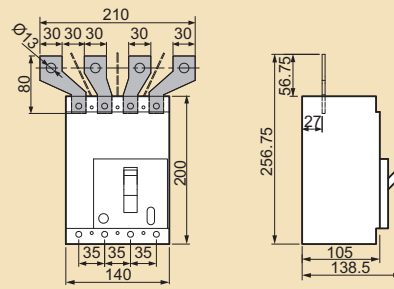
**DPX 160 (FP)**



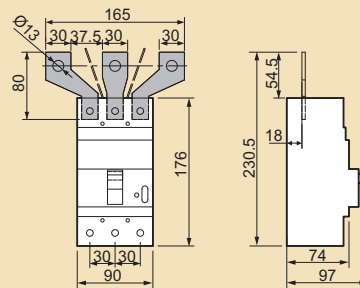
**DPX 250 (TP)**



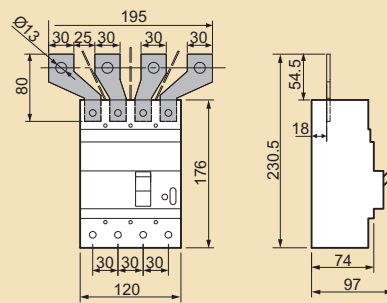
**DPX 250 (FP)**



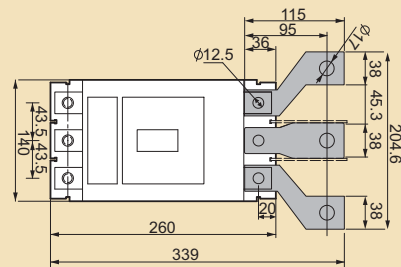
**DPX 250 ER (TP)**



**DPX 250 ER (FP)**



**DPX 630 (TP)**



**DPX 630 (FP)**

