



# Rex-Analogue time switches for DIN rail mounting and wall mounting MaxiRex



6499 14



6499 15

*Dimensions (p. 170)  
Technical data (p. 149-155)*

230 V $\sim$ , 50/60 Hz  
Voltage tolerance -  $\pm$  10%  
Conforms to IEC 60730-1, EN 60730-1  
Analogue 24 hrs and 7 days time switch  
With 3 position changeover switch (5 terminals)  
Suitable for DIN rail mounting, wall mounting and installation in plastic box with locking facility  
With manual override switch  
Hands can be moved clockwise or anti clockwise for easy setting of time.

Pack	Cat. nos.	<b>MaxiRex with 4 terminals (without plastic box)</b>
1/30	<b>6499 15</b>	<b>MaxiRex 4QT</b> (with 500 hrs. working reserve) 24 hrs. programme Voltage 230 V   Frequency 50-60 Hz

Pack	Cat. nos.	<b>MaxiRex with 4 terminals (with plastic box)</b>
1	<b>6499 14</b>	<b>MaxiRex 4QTB</b> (with 500 hrs. working reserve) 24 hrs. programme Voltage 230 V   Frequency 50-60 Hz
1	<b>6499 36A</b>	<b>MaxiRex 4QWB</b> (with 500 hrs. working reserve) 7 days programme 240 V   50-60 Hz

Pack	Cat. nos.	<b>MaxiRex with 5 terminals (without plastic box)</b>
1/30	<b>6499 39</b>	<b>MaxiRex 5QW</b> (with 500 hrs. working reserve) 7 days programme Voltage 230 V   Frequency 50-60 Hz

1/30	6499 64	<b>MaxiRex QT 30A</b> (with 100 hrs. running reserve) 24 hrs. programme Voltage 230V   Frequency 50-60 Hz Robust analogue time switch with real 30A switching capacity
------	---------	------------------------------------------------------------------------------------------------------------------------------------------------------------------------------------

Pack	Cat. nos.	<b>Accessories</b>
1/30	6499 49	Terminal cover for MaxiRex 4 and 5
1/10	6499 48	IP53 plastic box

# Rex time switches

## ■ Technical data

### Analogue time switch

Type	MaxiRex			
	4QTB	4QWB	4QT	5QW
Catalogue no.	6499 14	6499 36	6499 15	6499 39
Voltage	230 V AC	230 V AC	230 V AC	230 V AC
Frequency	50 / 60 hz	50 / 60 hz	50 / 60 hz	50 / 60 hz
No. of channels	1	1	1	1
Motor	quartz controlled	quartz controlled	quartz controlled	quartz controlled
Switching dial	24 hrs	7 days	24 hrs	7 days
Switching capacity for				
Resistive Cos $\varphi = 1$	20 A	20 A	20 A	20 A
Incandescent lamps	4 A	4 A	4 A	4 A
Inductive cos $\varphi = 0.6$	10 A	10 A	10 A	10 A
Contact	SPST			
Running reserve	500 hrs	500 hrs	500 hrs	500 hrs
Minimum switching time	10 min	1 hr	10 min	1 hr
Minimum setting interval	20 min	2 hr	20 min	2 hr
Switching accuracy	$\pm 10$ min	$\pm 1$ hr	$\pm 10$ min	$\pm 1$ hr
IP rating	IP 53	IP 53	IP 30	IP 30
Operating temperature	- 10°C to + 50°C	- 10°C to + 50°C	- 10°C to + 50°C	- 10°C to + 50°C

Type	MaxiRex	EconoRex	MicroRex		
	QT	MQT	QT11	QT31	QW31
Catalogue no.	6499 64	0499 86	0037 40	0037 53	0037 55
Voltage	230 V AC	230 V AC	230 V AC	230 V AC	230 V AC
Frequency	50 / 60 hz	50 / 60 hz	50 / 60 hz	50 / 60 hz	50 / 60 hz
No. of channels	1	1	1	1	1
Motor	quartz controlled	quartz controlled	quartz controlled	quartz controlled	quartz controlled
Switching dial	24 hrs	24 hrs	24 hrs	24 hrs	7 days
Switching capacity for					
Resistive Cos $\varphi = 1$	30 A	16 A	16 A	16 A	16 A
Incandescent lamps	1800 W	4 A	4 A	4 A	4 A
Inductive cos $\varphi = 0.6$	20 A	8 A	10 A	10 A	10 A
Contact	SPST	SPDT	SPST	SPDT	
Running reserve	100 hrs	100 hrs	100 hrs	100 hrs	100 hrs
Minimum switching time	10 min	15 min	15 min	15 min	2 hrs
Minimum setting interval	20 min	10 min	30 min	30 min	4 hrs
Switching accuracy	$\pm 30$ min	$\pm 15$ min	$\pm 5$ min	$\pm 5$ min	$\pm 30$ min
IP rating	IP 30	IP 30	IP 20	IP 20	IP 20
Operating temperature	- 10°C to + 55°C	- 10°C to + 55°C	- 10°C to + 55°C	- 10°C to + 55°C	- 10°C to + 55°C

### Digital time switch

Type	AlphaRex		AstroRex	
	D21	D22	D21	D22
Catalogue no.	0047 61	0047 71	0047 64	0047 67
Voltage	230 V AC	230 V AC	230 V AC	230 V AC
Frequency	50 / 60 hz	50 / 60 hz	50 / 60 hz	50 / 60 hz
No. of channels	1	2	1	2
Type	24 hrs / 7 days	24 hrs / 7 days	24 hrs	24 hrs
Switching capacity for				
Resistive Cos $\varphi = 1$	16 A	16 A	16 A	16 A
Incandescent lamps	8 A	8 A	10 A	10 A
Inductive Cos $\varphi = 0.6$	10 A	10 A	4 A	4 A
Contact	1 SPDT	2 SPDT	1 SPDT	2 SPDT
Running reserve	6 yrs	6 yrs	6 yrs	6 yrs
Minimum switching time	1 min <sup>(1)</sup>	1 min	1 min	1 min
Minimum setting interval	1 min	1 min	1 min	1 min
Switching accuracy	$\pm 0.2$ sec / day	$\pm 0.2$ sec / day	$\pm 0.2$ sec / day	$\pm 0.2$ sec / day
IP rating	IP 20	IP 20	IP 20	IP 20
Operating temperature	- 20°C to + 55°C	- 20°C to + 55°C	- 20°C to + 55°C	- 20°C to + 55°C
No of module (17.5 mm)	2	2	2	2

<sup>(1)</sup> Impulse version 1 sec.

# Rex time switches

## ■ Technical data

### Allowed loads for time switches

Cat.no.	Consumption at 230 V~ 50 Hz Watt	Nominal output (VDE)			Allowed load at 230 V~, 50 Hz		
		I Cos φ = 1 A	Output (*)	Class IP	Incandescent halogen lamps (230V~) A	Fluorescent lamps duo circuit A	cos φ = 0.6 A
<b>DIN rail mounting</b>							
0037 40	0.38	16	1 S μ	20	4	14	12
0037 53	0.38	16	1 W μ	20	4	14	12
0037 55	0.38	16	1 W μ	20	4	14	12
0047 61	1	16	1 W μ	20	8	-	10
0047 71	1	16	1 W μ	20	8	-	10
0047 64	1	16	1 W μ	20	10	-	4
0047 67	1	16	1 W μ	20	10	-	4
<b>Surface and facia mounting</b>							
6499 15	0.38	16	1 W μ	20	4	14	12
0497 55	0.38	16	1 W μ	20	4	14	12
6499 14	0.38	16	1 W μ	20	4	14	12
0497 57	0.38	16	1 W μ	20	4	14	12
6499 39	0.38	10	1 W μ	20	4	8	7
6499 36	0.38	16	1 W μ	20	4	8	8

\*) W = changeover contact  
S = normal open  
μ = distance between contacts 3 mm

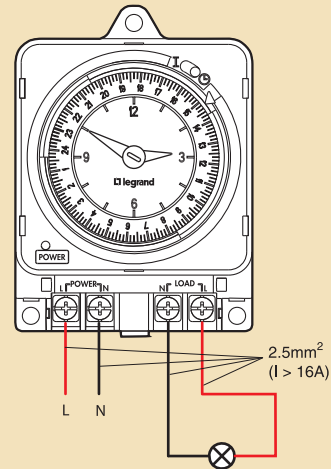
Hint : Loads given for 230 V~ / 50 Hz and contact life time ≥ 5 years

- Staircase time switches and timing relays ≥ 1,00,000 changeovers, corresponding at ca. 27 changeovers / day.
- Time switches ≥ 10,000 changeovers, corresponding at ca. 5 changeovers / day.

## ■ Wiring diagram

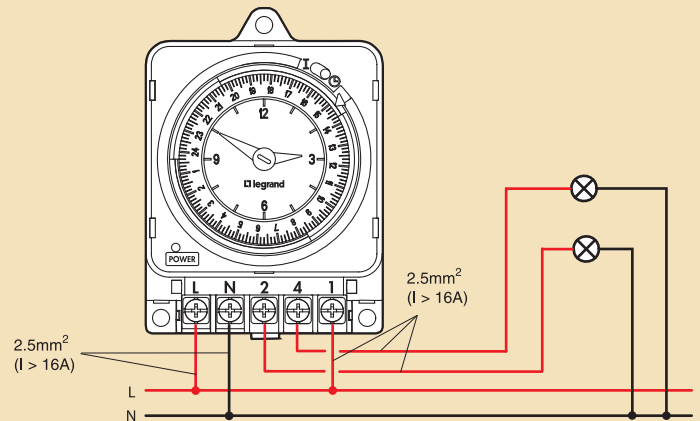
### • MaxiRex

Cat. no. 6499 15, 6499 14, 6499 36



### • MaxiRex

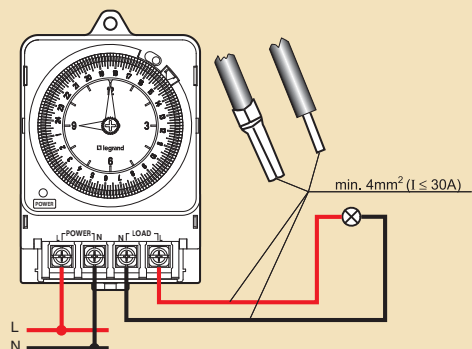
Cat. no. 6499 39



### • MaxiRex

Cat. no. 6499 64

#### Wiring diagram

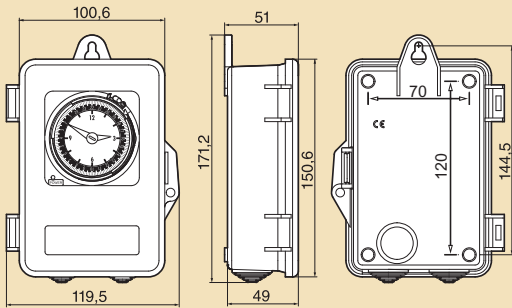


# Rex time switches

## ■ Dimensions

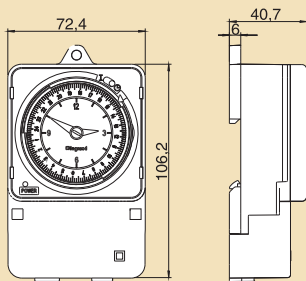
### MaxiRex 4QTB and MaxiRex 4QWB

Cat. no. 6499 14 A and 6499 36 A



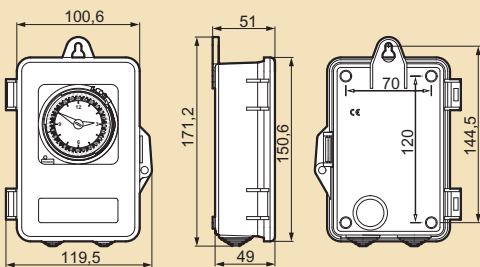
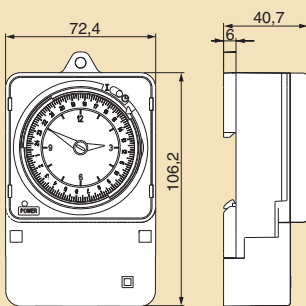
### MaxiRex 4QT and MaxiRex 5QW

Cat. no. 6499 15 and 6499 39 with terminal cover



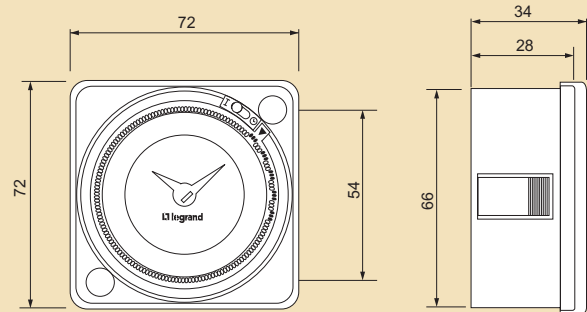
### MaxiRex QT

Cat. no. 6499 64

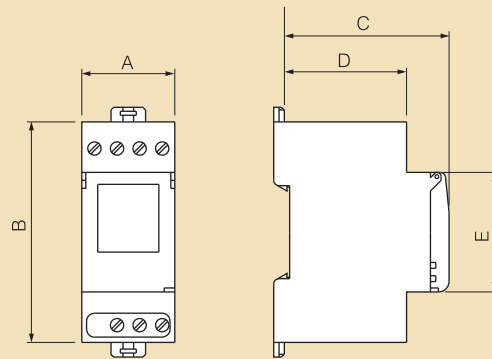


### EconoRex

Cat. no. 0499 86



### Rex modular time switches



Catalogue no.	Description	A	B	C	D	E
0037 40	MicroRex QT11	17.5	86	60	44	45
0037 53	MicroRex QT31	53	90	60	44	45
0037 55	MicroRex QW31	53	90	60	44	45
0047 61	AlphaRex D21	36	83	60	44	45
0047 71	AlphaRex D22	36	83	60	44	45
0047 64	AstroRex D21	36	83	60	44	45
0047 67	AstroRex D22	36	83	60	44	45